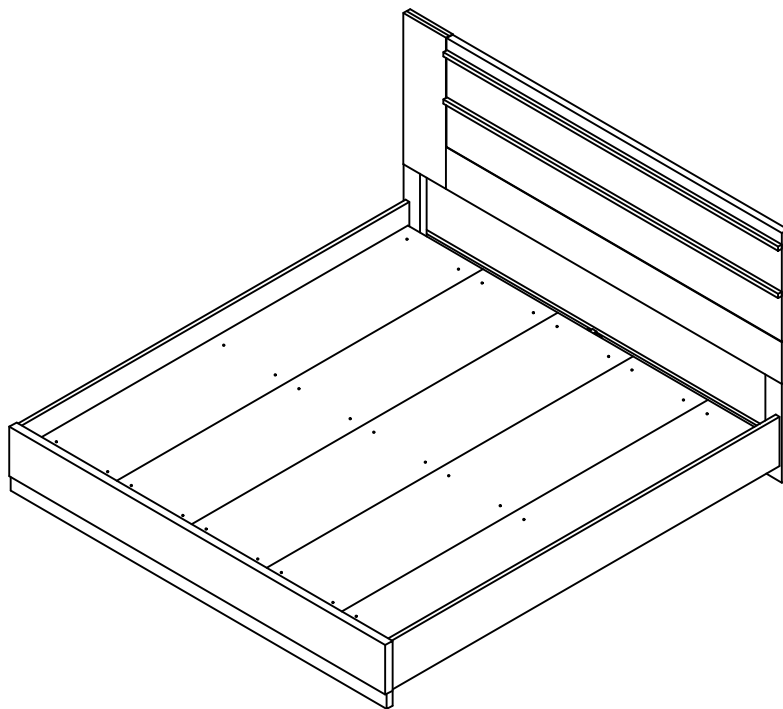




ASSEMBLY INSTRUCTIONS COASTER FINE FURNITURE



Fine Furniture for every stage of life

224281KE(B1-B3) ***Eastern King Bed***

ITEM: 224281KE(B1-B3)



ASSEMBLY INSTRUCTIONS

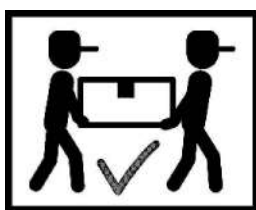
ASSEMBLY TIPS:

1. Remove hardware from box and sort by size.
2. Please check to see that all hardware and parts are present prior to start of assembly.
3. Please follow attached instructions in the same sequence as numbered to assure fast & easy assembly.



WARNING!

1. Don't attempt to repair or modify parts that are broken or defective. Please contact the store immediately.
2. This product is for home use only and not intended for commercial establishments.

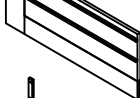





ASSEMBLY TIME

30 MINUTES

PARTS IDENTIFICATION


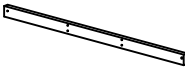


B1(BOX 1)

A	HEADBOARD PANEL		1PC
B	LEFT HEADBOARD LEG		1PC
C	RIGHT HEADBOARD LEG		1PC
D	HEADBOARD BOTTOM RAIL		1PC

B2(BOX 2)

E	FOOTBOARD		1PC
F	ROLL SLAT (10PCS)		1SET

B3(BOX 3)

G	BED RAIL		2PCS
H	CENTER RAIL		1PC
I	CENTER RAIL SUPPORT WITH LEVELER		2PCS
J	CONCEAL PANEL		5PCS

ITEM: 224281KE(B1-B3)



ASSEMBLY INSTRUCTIONS

ASSEMBLY TIPS:

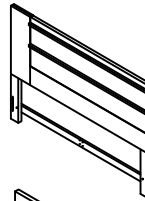
1. Remove hardware from box and sort by size.
2. Please check to see that all hardware and parts are present prior to start of assembly.
3. Please follow attached instructions in the same sequence as numbered to assure fast & easy assembly.



WARNING!

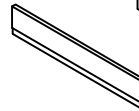
1. Don't attempt to repair or modify parts that are broken or defective. Please contact the store immediately.
2. This product is for home use only and not intended for commercial establishments.

HB 224281KE(B1)
FROM BOX 1
HEADBOARD COMPLETE



1PC

E 224281KE(B2)
FROM BOX 2
FOOTBOARD



1PC

HARDWARE IDENTIFICATION

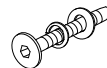
Z-B3(BOX 3) - HARDWARE PACK IS LOCATED IN 224281KE(B3)

1 ALLEN WRENCH
(M4 x 110mm - BLK)



1PC

2 BOLT WITH WASHER
(M6 x 50mm - BLK)



16PCS

3 PAN HEAD SCREW
(M4 x 12mm - BLK)



30PCS

4 SHORT FLAT HEAD SCREW
(M4 x 20mm - BLK)



8PCS

5 LONG FLAT HEAD SCREW
(#8 x 1 1/8" - BLK)



20PCS

6 HEX NUT
(M6 - RBW)



2PCS

7 U BRACKET
(26 x 63 x 70mm - RBW)



2PCS

8 WRENCH
(2 x 24.5 x 85mm - RBW)



1PC

NOTE:

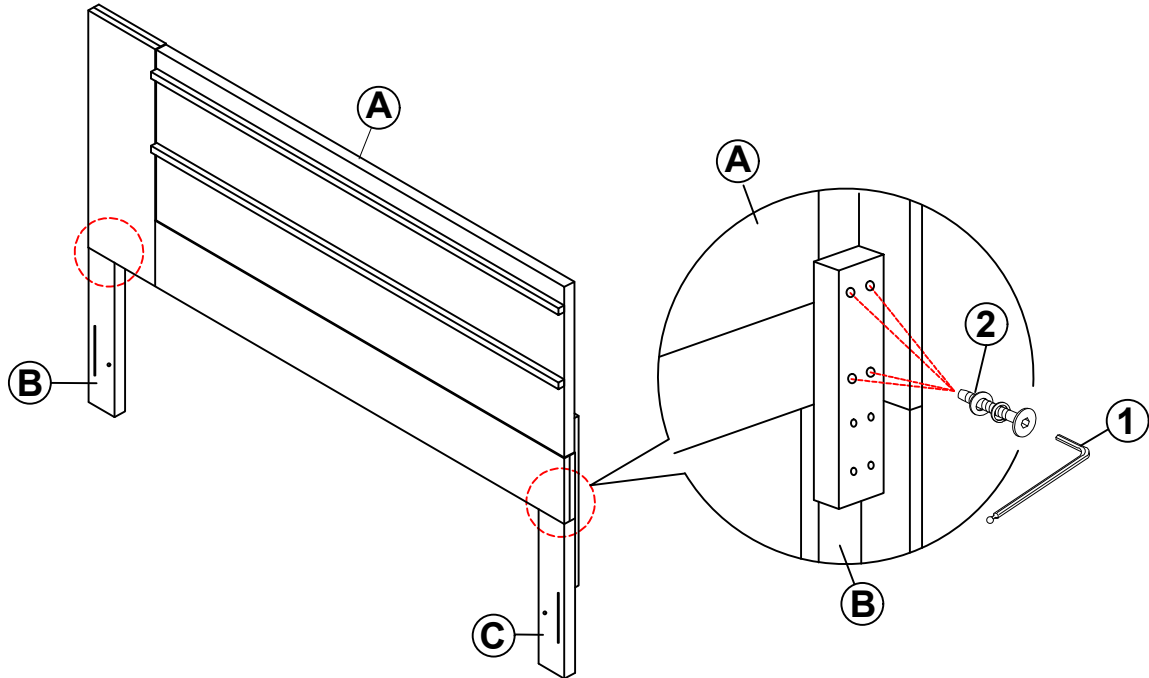
Phillips head screw driver is required in the assembly process; however, manufacturer does not provide this item.

ITEM: **224281KE(B1-B3)**

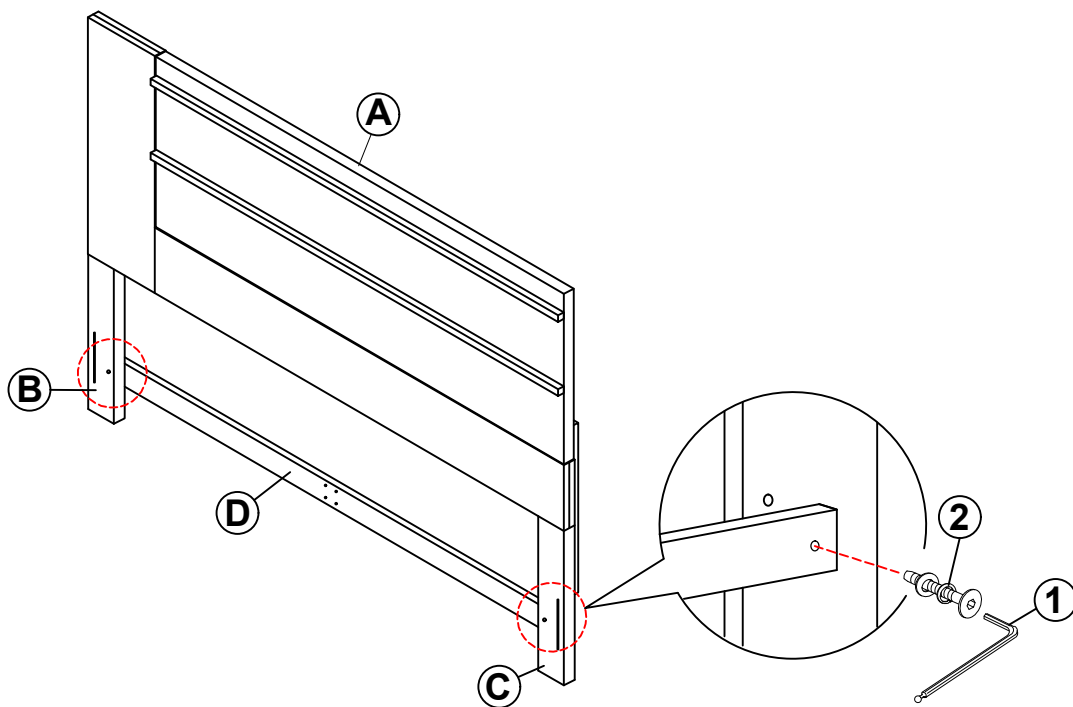


ASSEMBLY INSTRUCTIONS

STEP 1



STEP 2

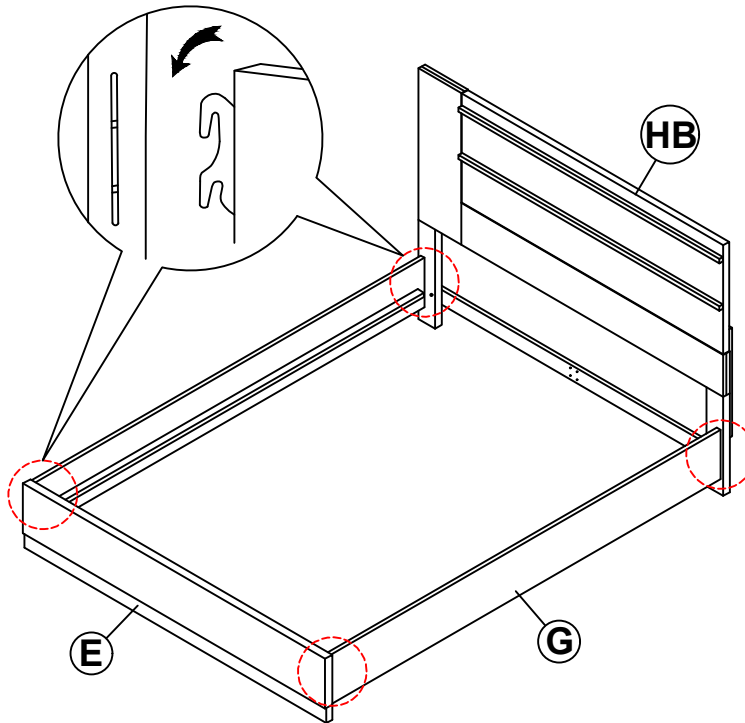


ITEM: **224281KE(B1-B3)**

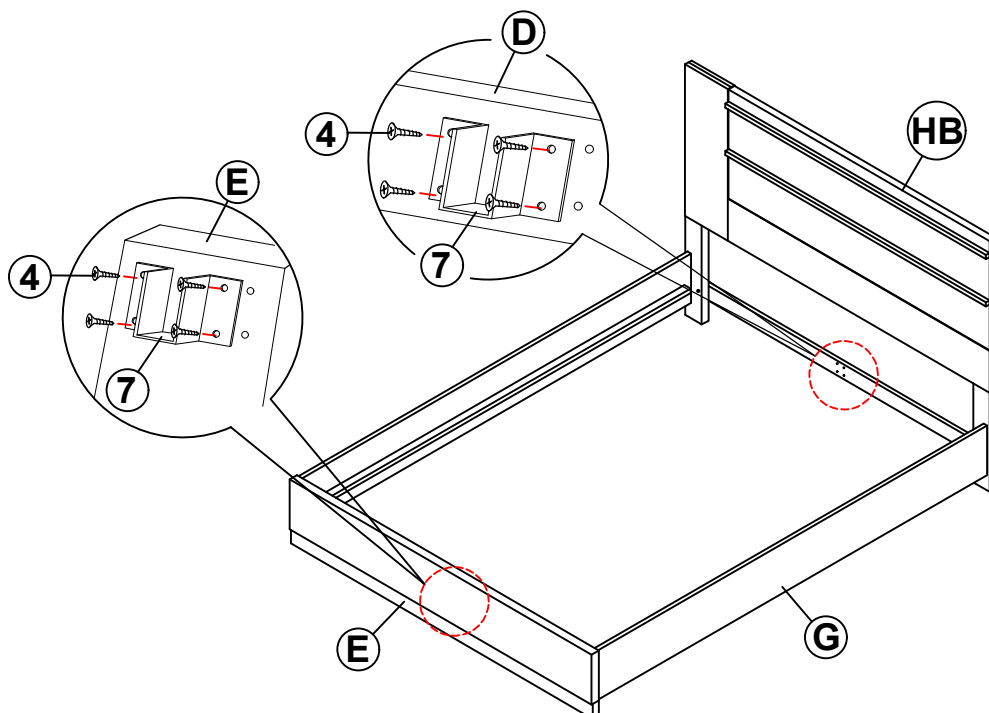


ASSEMBLY INSTRUCTIONS

STEP 3



STEP 4

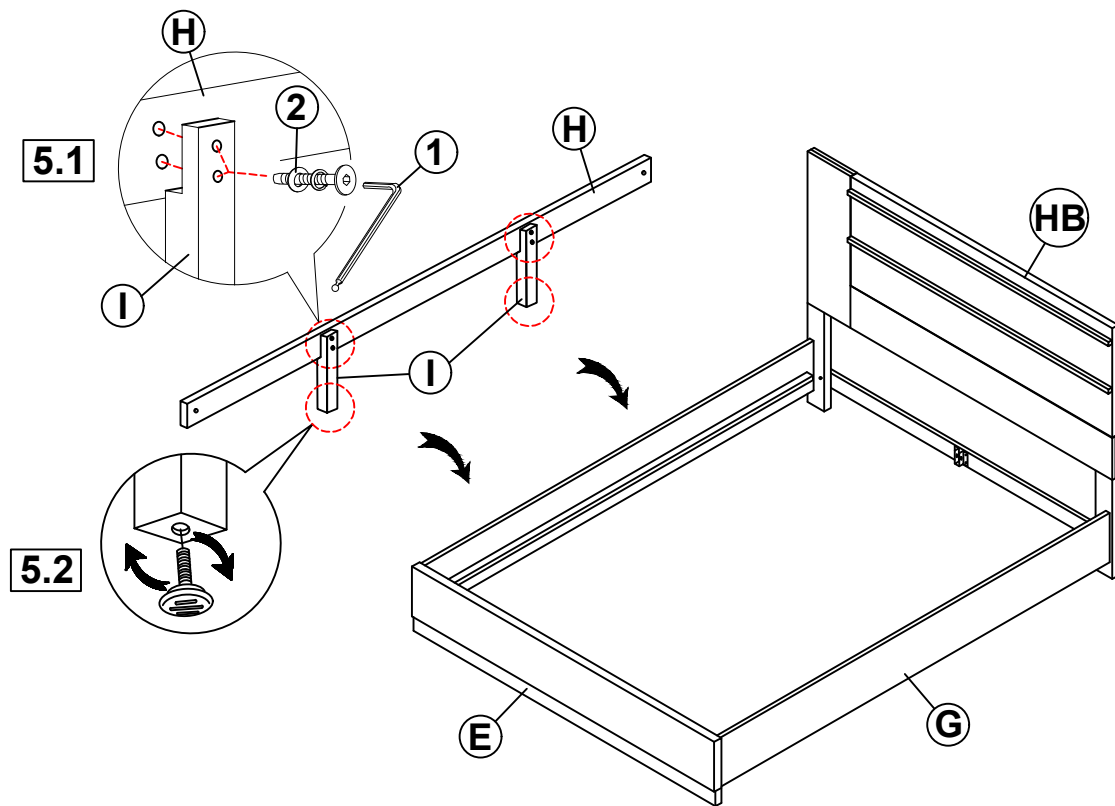


ITEM: 224281KE(B1-B3)

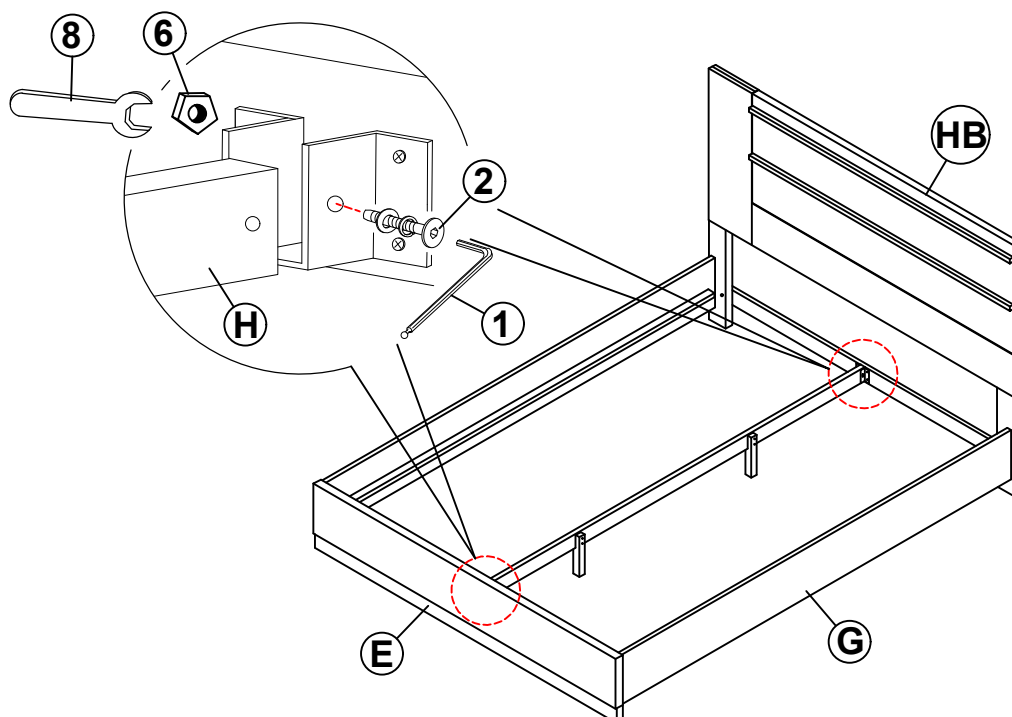


ASSEMBLY INSTRUCTIONS

STEP 5



STEP 6

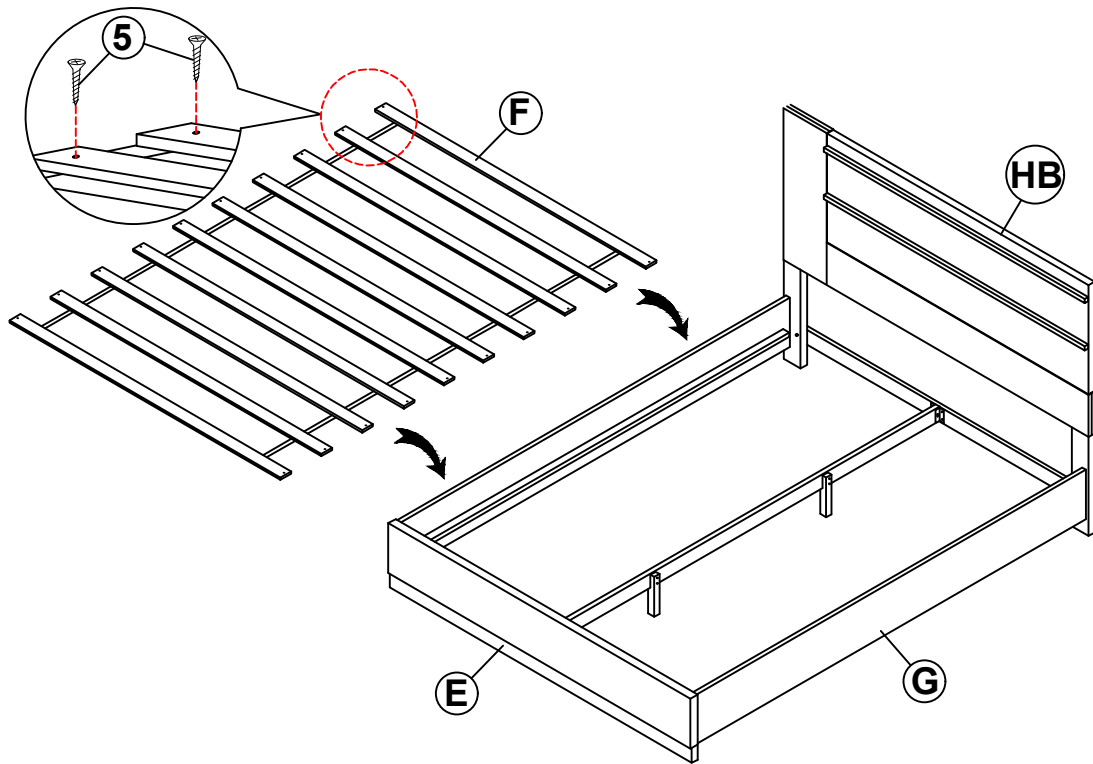


ITEM: **224281KE(B1-B3)**

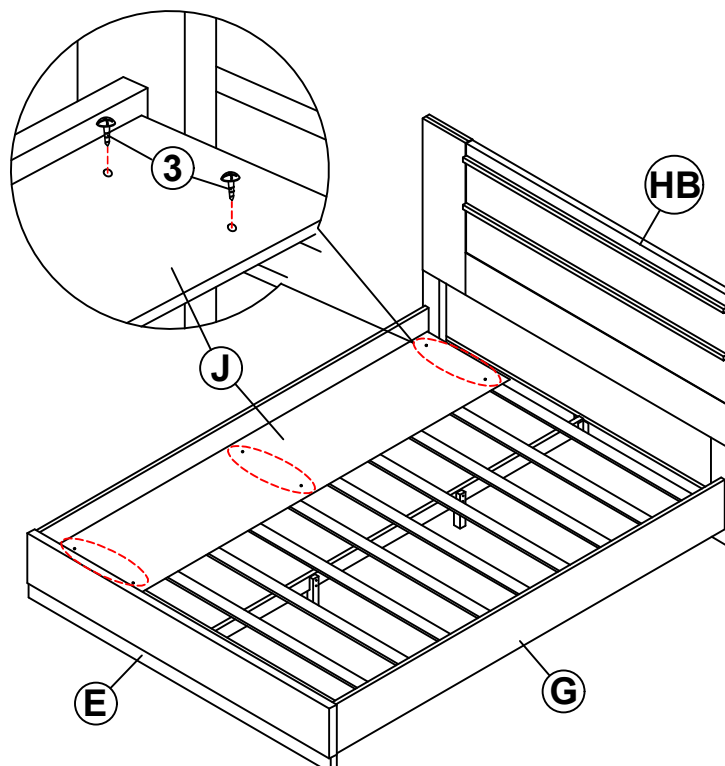


ASSEMBLY INSTRUCTIONS

STEP 7



STEP 8

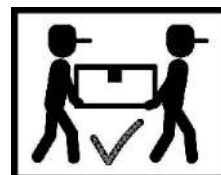
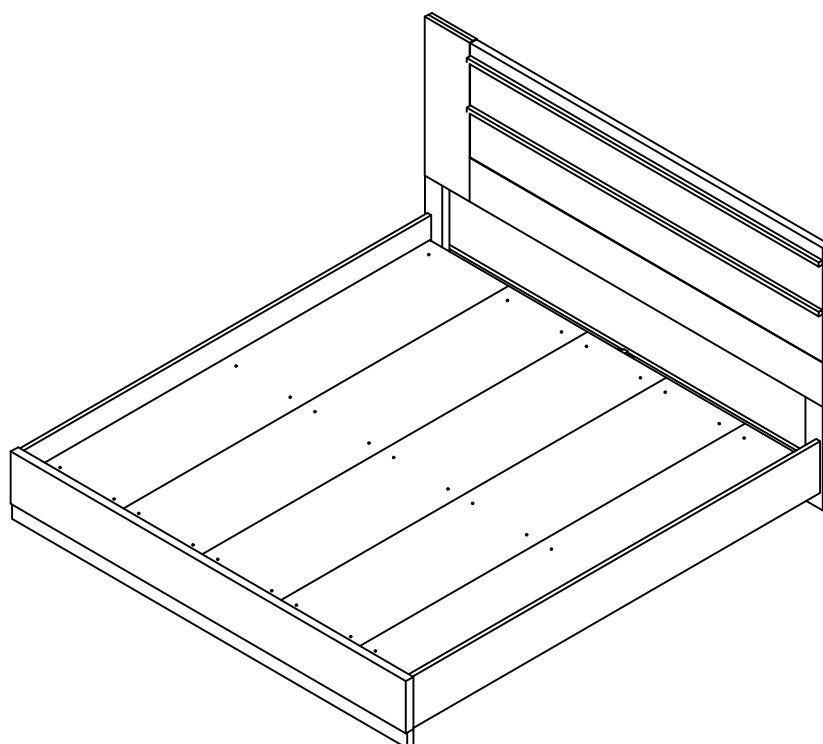


ITEM: **224281KE(B1-B3)**

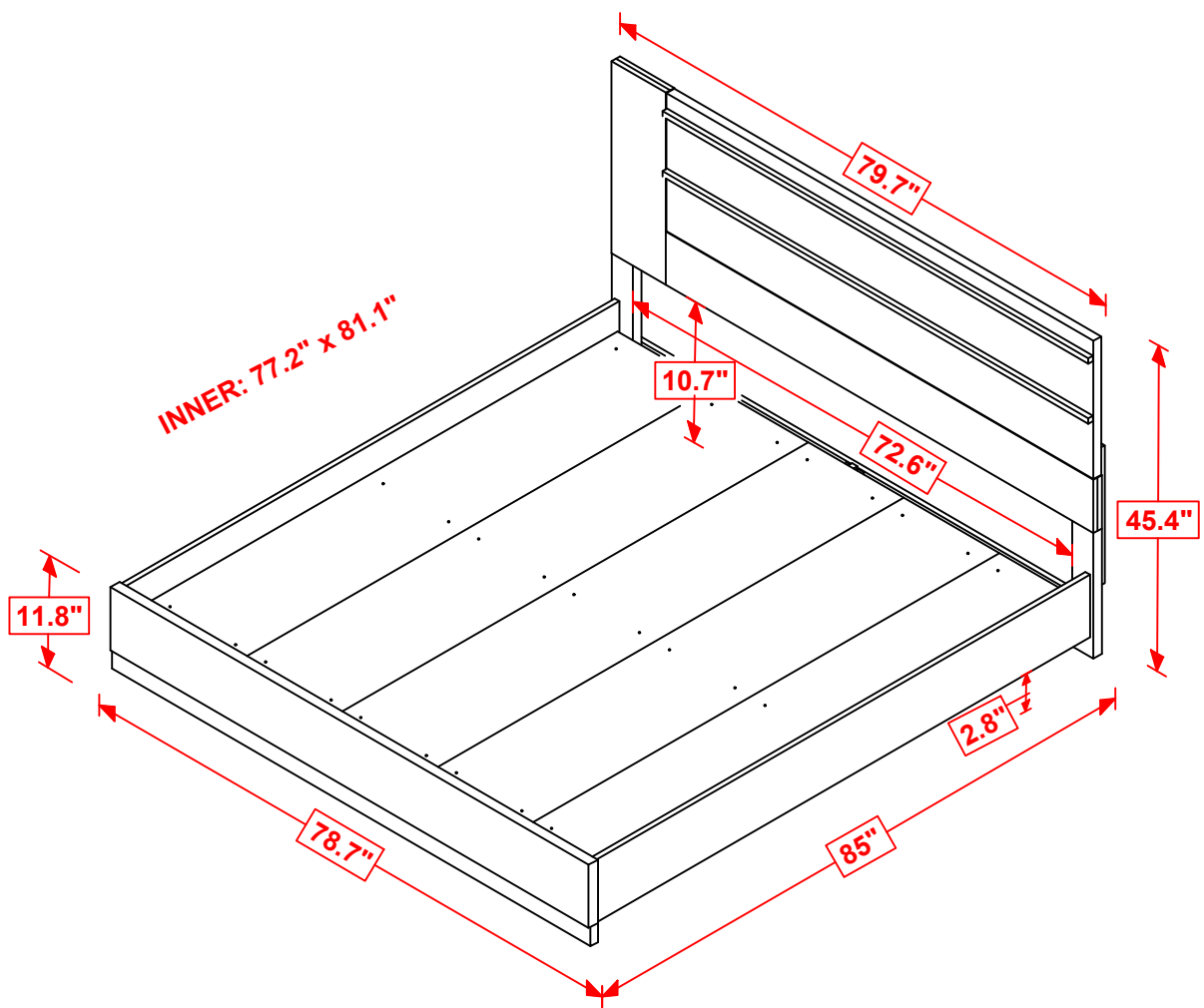


ASSEMBLY INSTRUCTIONS

STEP 9
COMPLETE



ITEM: 224281KE(B1-B3)



NOTE : DIMENSION TOLERANCE \pm 5%

COASTERFURNITURE.COM