



ASSEMBLY INSTRUCTIONS
COASTER FINE FURNITURE



Fine Furniture for every stage of life

115132
Dining Side Chair

ITEM: 115132



ASSEMBLY INSTRUCTIONS

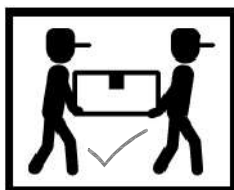
ASSEMBLY TIPS :

1. Remove hardware from box and sort by size.
2. Please check to see that all hardware and parts are present prior to start of assembly.
3. Please follow attached instructions in the same sequence as numbered to assure fast & easy assembly.



WARNING !

1. Don't attempt to repair or modify parts that are broken or defective. Please contact the store immediately.
2. This product is for home use only and not intended for commercial establishments.

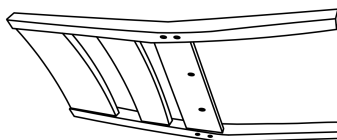


ASSEMBLY TIME

15 MINUTES

PARTS IDENTIFICATION

A **BACK FRAME**



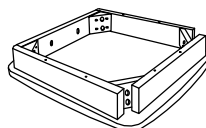
1PC

B **LEG**



2PCS

C **SEAT CUSHION
WITH FRAME**



1PC

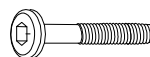
HARDWARE IDENTIFICATION

1 **ALLEN WRENCH**
(M4 x 110MM - BLK)



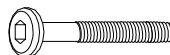
1PC

2 **SHORT BOLT**
(M6 x 40MM - RBW)



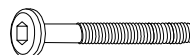
2PCS

3 **MEDIUM BOLT**
(M6 x 60MM - RBW)



4PCS

4 **LONG BOLT**
(M6 x 80MM - RBW)



4PCS

5 **LOCK WASHER**
(1/4" - BLK)



10PCS

6 **FLAT WASHER**
(5/16" - RBW)

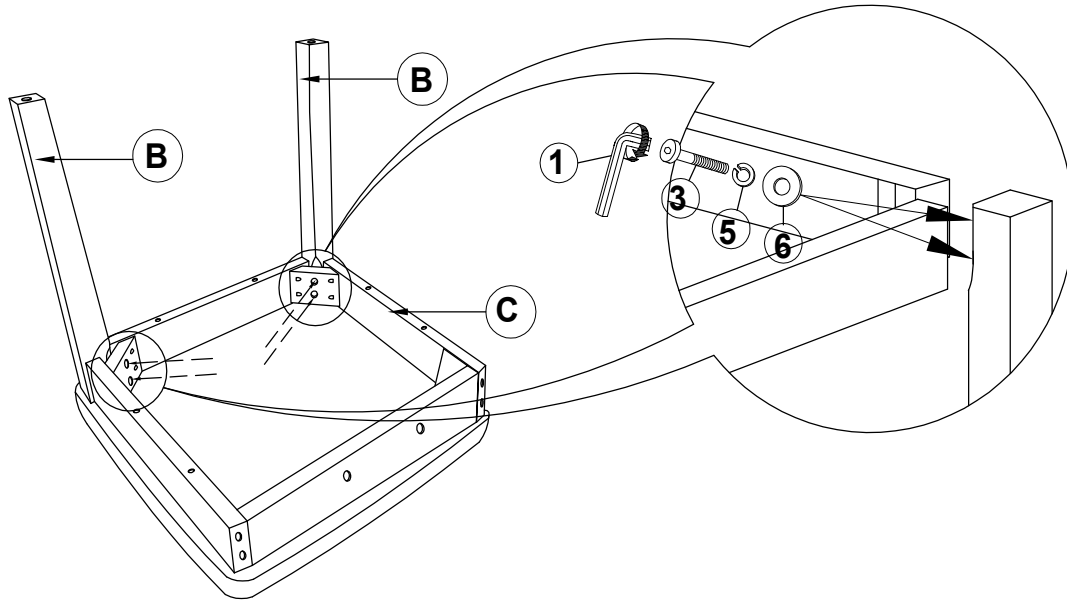


10PCS

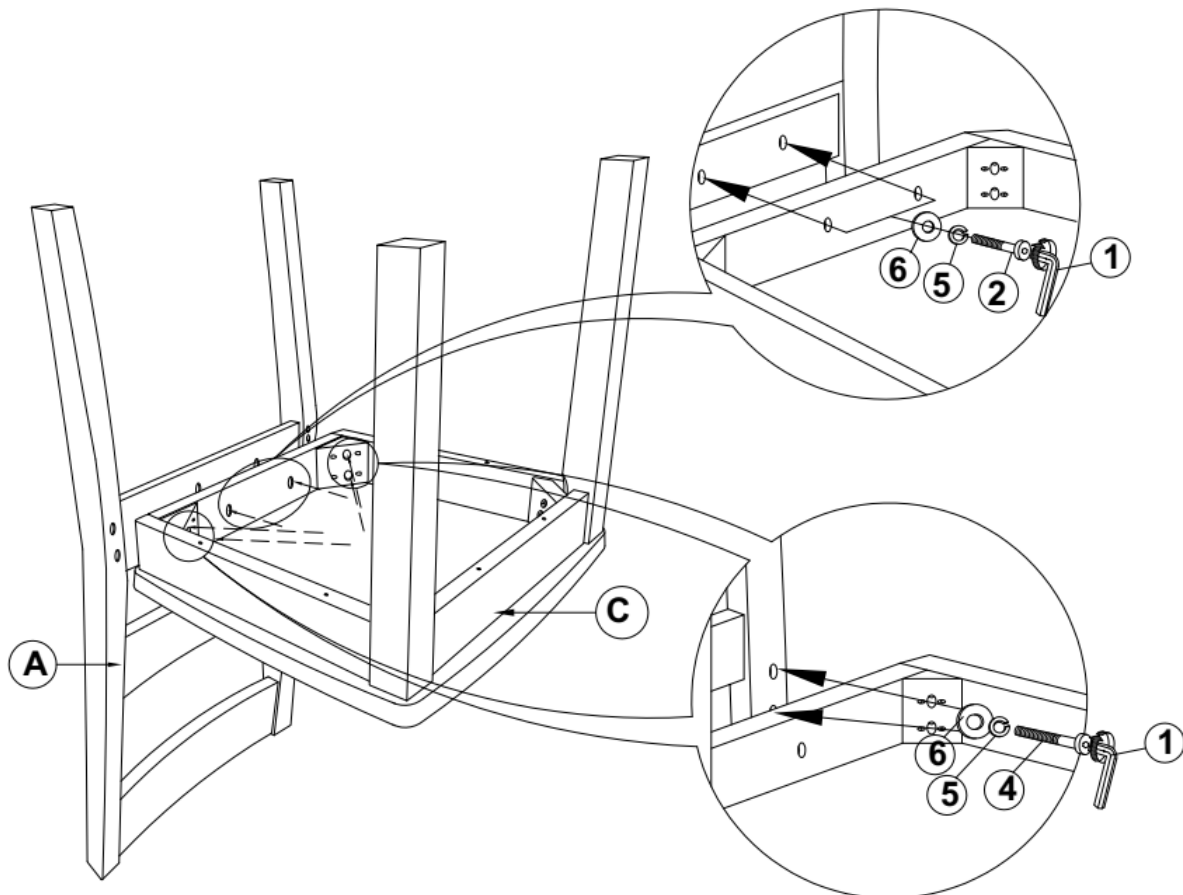
ITEM: **115132**
ASSEMBLY INSTRUCTIONS



STEP 1



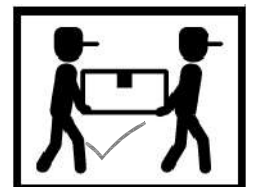
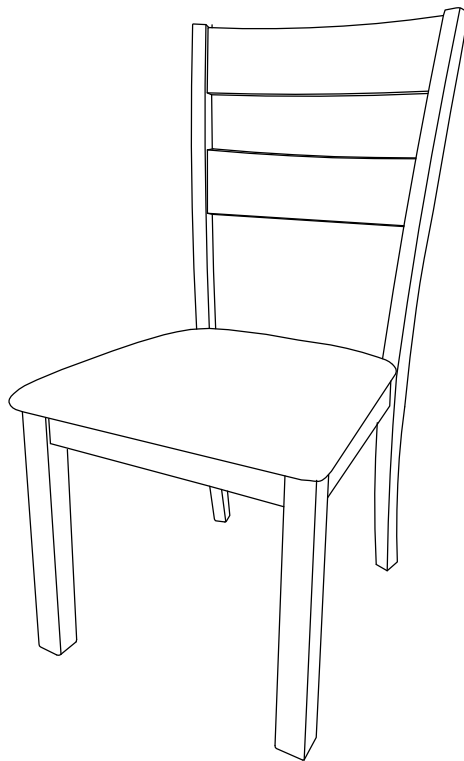
STEP 2



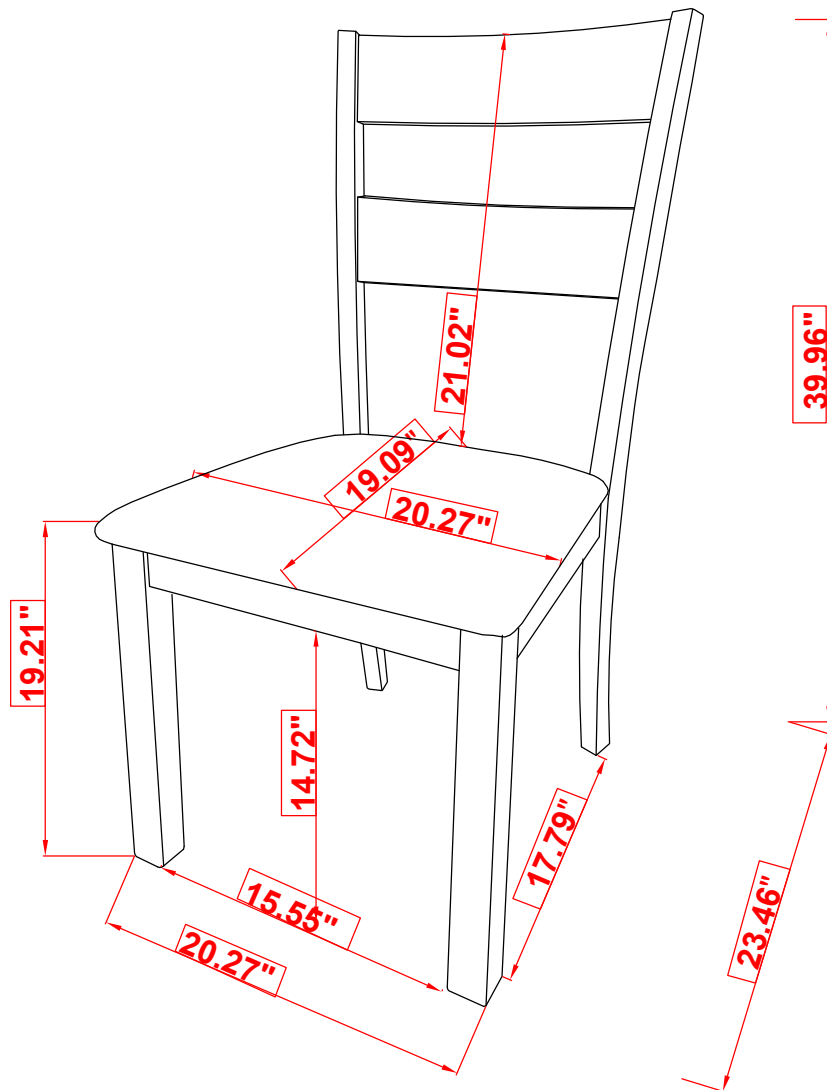
ITEM: **115132**
ASSEMBLY INSTRUCTIONS



STEP 3
COMPLETE



ITEM: 115132



Note : Dimension tolerance $\pm 5\%$