

**ASSEMBLY INSTRUCTIONS**  
**COASTER FINE FURNITURE**



*Fine Furniture for every stage of life*

**300554(B1 & B2)**  
**Daybed**

# ITEM: 300554(B1&B2)



## ASSEMBLY INSTRUCTIONS

### ASSEMBLY TIPS:

1. Remove hardware from box and sort by size.
2. Please check to see that all hardware and parts are present prior to start of assembly.
3. Please follow attached instructions in the same sequence as numbered to assure fast & easy assembly.

### WARNING!



1. Don't attempt to repair or modify parts that are broken or defective. Please contact the store immediately.
2. This product is for home use only and not intended for commercial establishments.



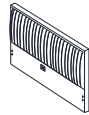
ASSEMBLY TIME

30 MINUTES

## PARTS IDENTIFICATION

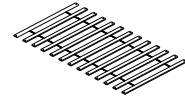
### B1 (BOX 1)

A LEFT SIDE PANEL



1PC

C ROLL SLAT (13 PCS)



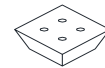
2 SETS

B RIGHT SIDE PANEL



1PC

D LEG



4PCS

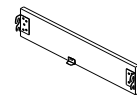
### B2 (BOX 2)

E TRUNDLE FRONT  
PANEL WITH CASTER



1PC

I TRUNDLE SIDE  
PANEL



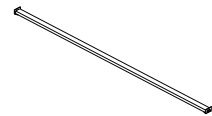
2PCS

F TRUNDLE BACK  
PANEL WITH CASTER



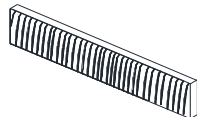
1PC

J CENTER RAIL



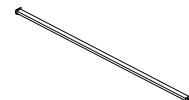
1PC

G BACK PANEL



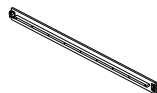
1PC

K TRUNDLE CENTER  
RAIL



1PC

H BED RAIL



2PCS

### NOTE:

Phillips head screw driver is required in the assembly process; however, manufacturer does not provide this item.

# ITEM: 300554(B1&B2)



## ASSEMBLY INSTRUCTIONS

### ASSEMBLY TIPS:

1. Remove hardware from box and sort by size.
2. Please check to see that all hardware and parts are present prior to start of assembly.
3. Please follow attached instructions in the same sequence as numbered to assure fast & easy assembly.






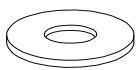

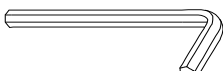
### WARNING!



1. Don't attempt to repair or modify parts that are broken or defective. Please contact the store immediately.
2. This product is for home use only and not intended for commercial establishments.

## HARDWARE IDENTIFICATION

### Z-B1(BOX 1) - HARDWARE PACK IS LOCATED IN 300554(B1)

1	<b>LONG FLAT HEAD SCREW</b> (#8 x 2"-RBW)		16PCS
2	<b>SHORT BOLT</b> (5/16" x 3/4" - RBW)		8PCS
3	<b>MEDIUM BOLT</b> (5/16" x 1-1/2" - RBW)		8PCS
4	<b>LONG BOLT</b> (5/16" x 2-1/2" - RBW)		4PCS
5	<b>LOCK WASHER</b> (5/16" - RBW)		20PCS
6	<b>FLAT WASHER</b> (5/16" x 22mm-RBW)		20PCS
7	<b>SHORT FLAT HEAD SCREW</b> (#8 x 1-1/4" - RBW)		78PCS
8	<b>ALLEN WRENCH</b> (M5 - RBW)		1PC

### NOTE:

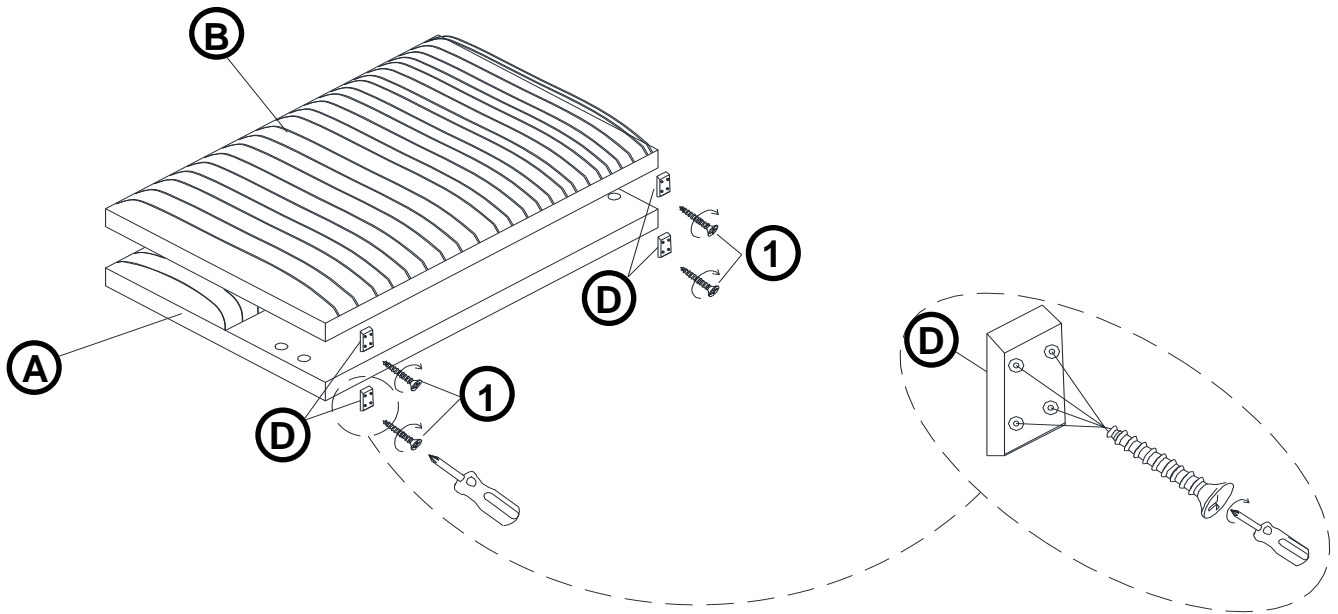
Phillips head screw driver is required in the assembly process; however, manufacturer does not provide this item.

ITEM: **300554(B1&B2)**

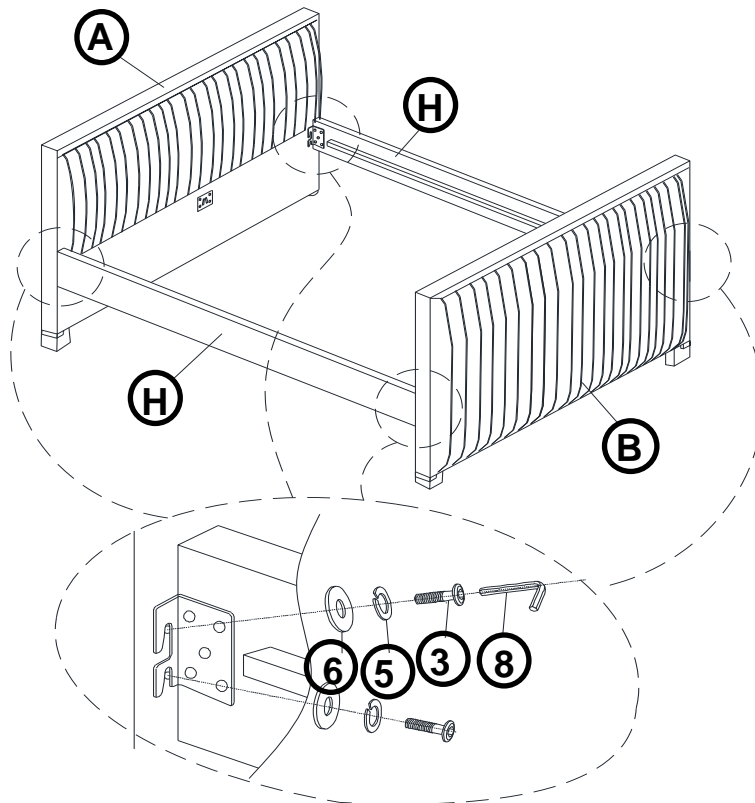


**ASSEMBLY INSTRUCTIONS**

**STEP 1**



**STEP 2**

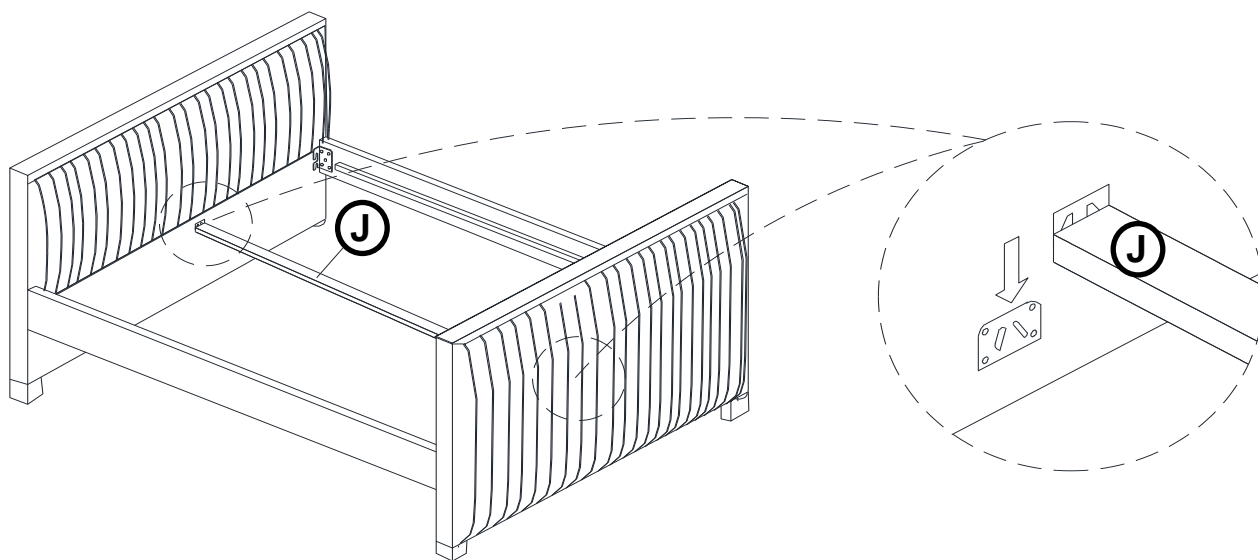


ITEM: **300554(B1&B2)**

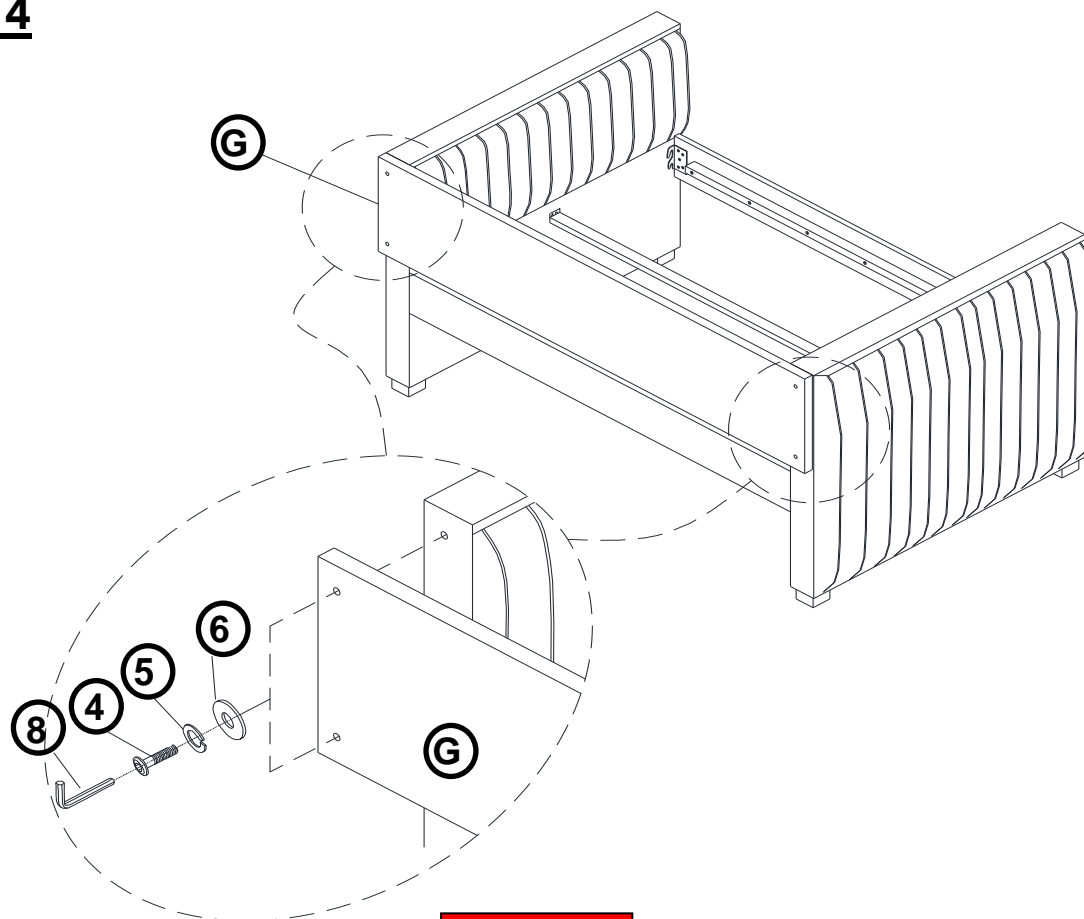


**ASSEMBLY INSTRUCTIONS**

**STEP 3**



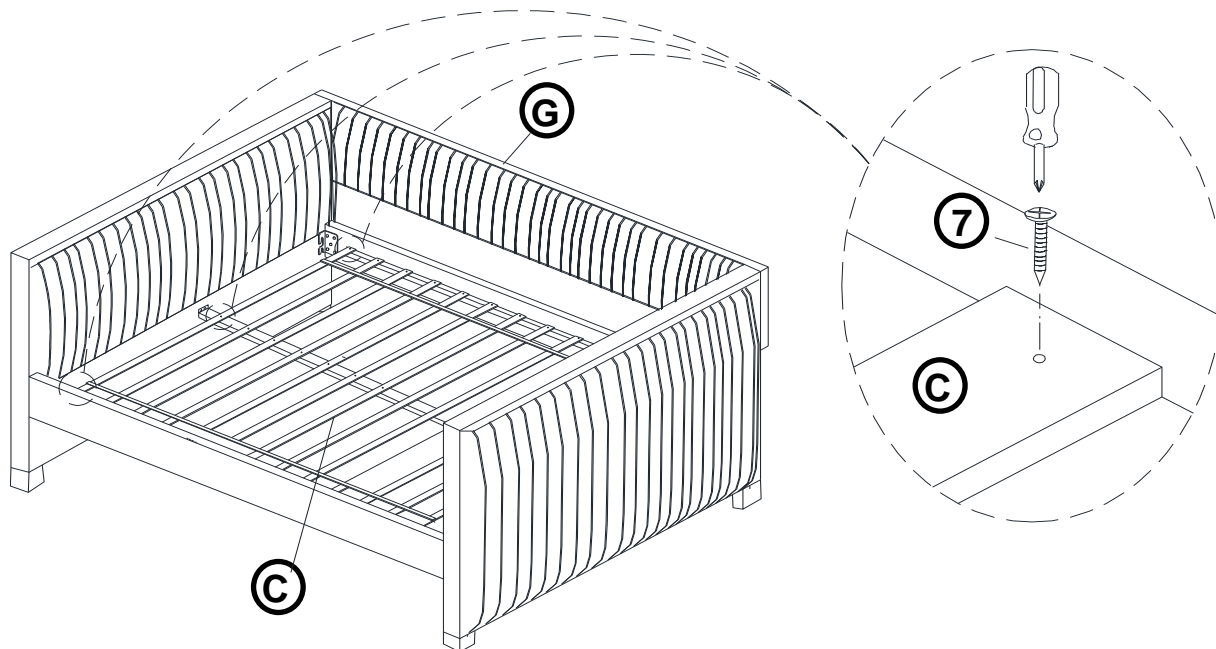
**STEP 4**



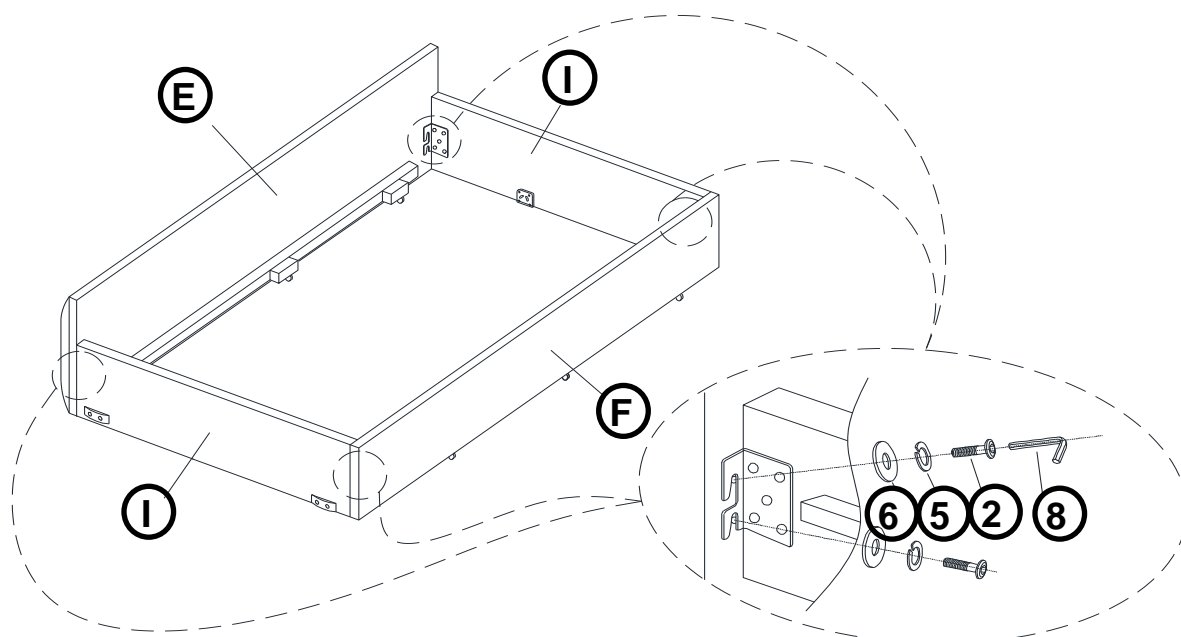
ITEM: **300554(B1&B2)**

**ASSEMBLY INSTRUCTIONS**

**STEP 5**



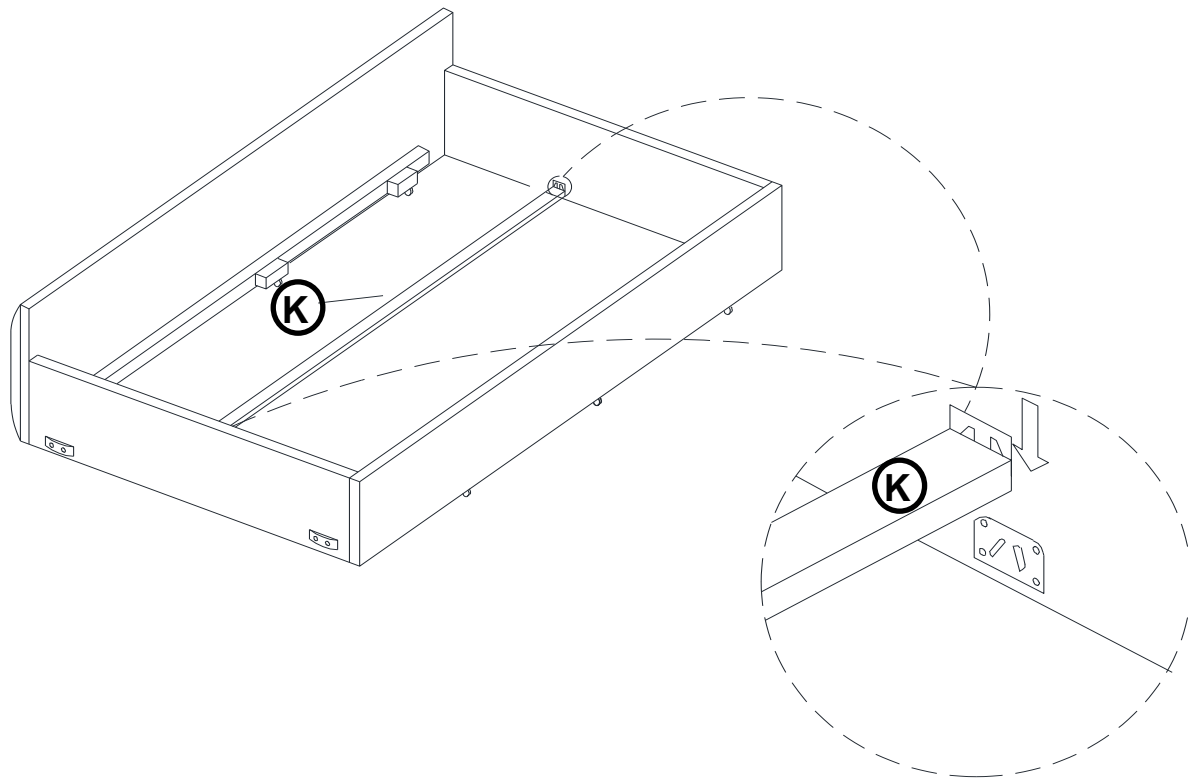
**STEP 6**



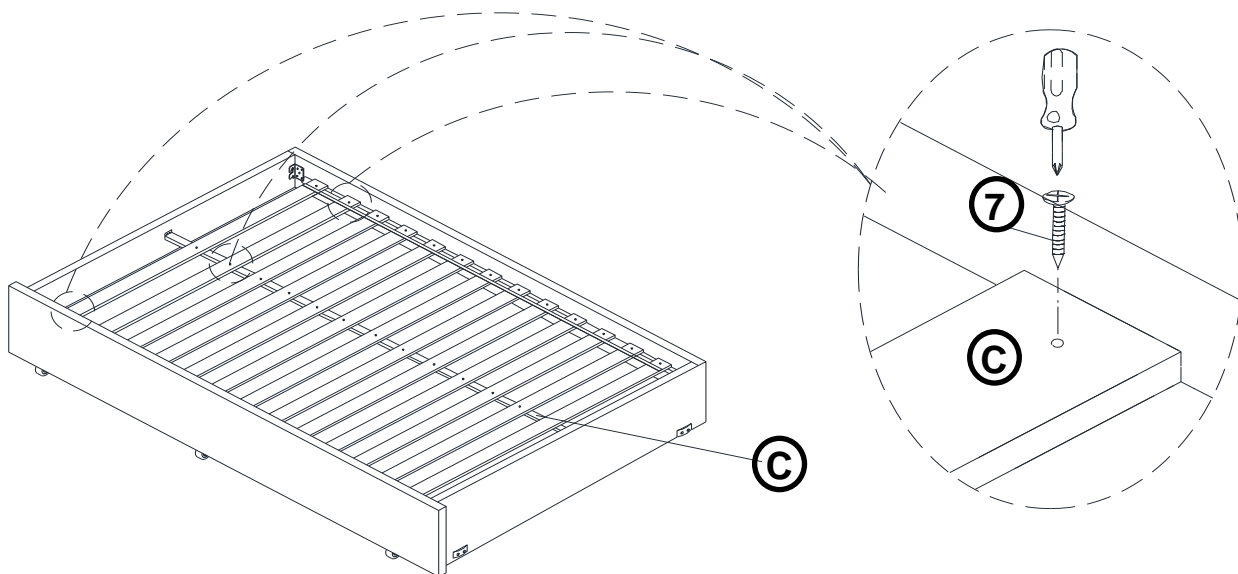
ITEM: **300554(B1&B2)**

**ASSEMBLY INSTRUCTIONS**

**STEP 7**



**STEP 8**



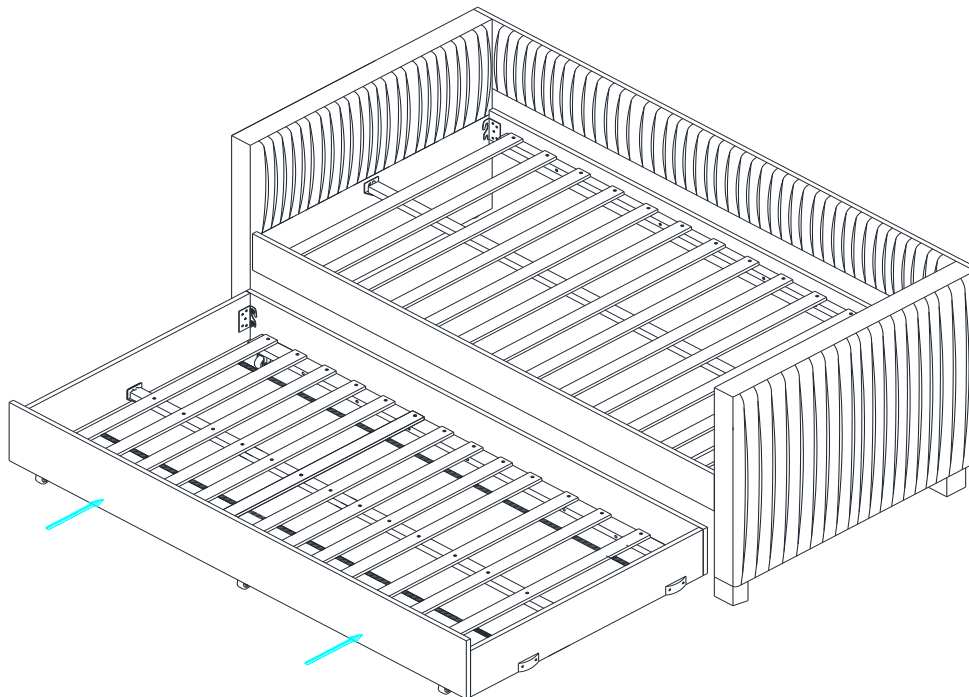
ITEM: **300554(B1&B2)**



**ASSEMBLY INSTRUCTIONS**

**STEP 9**

**COMPLETE**



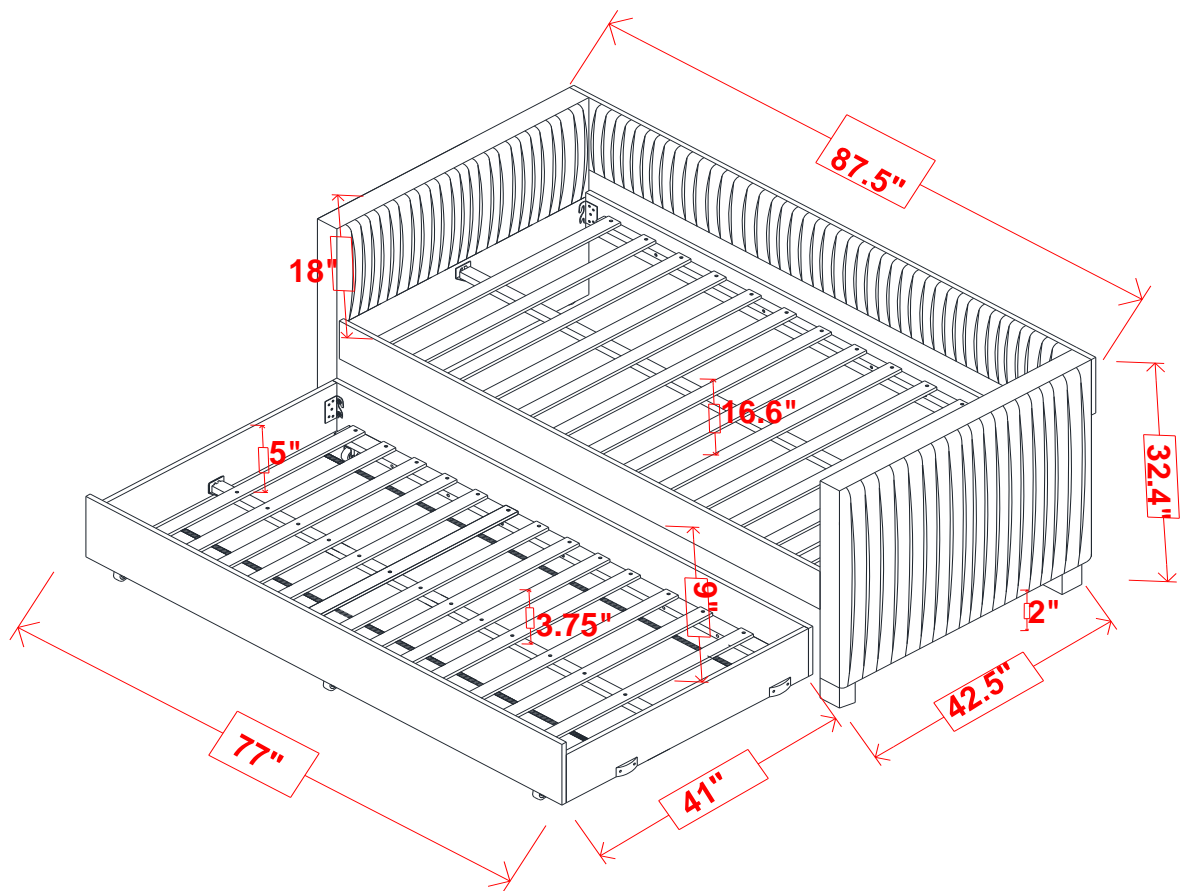


ITEM: **300554(B1&B2)**

**COASTER**  
FINE FURNITURE

**INNER SIZE: 78.1" X 39.5"**

**TRUNDLE INNER SIZE: 75.5" X 39.5"**



**NOTE:**Dimension tolerance $\pm$ 5%