

# 30" Pro-Style Induction Range

**PRIR34450SS**



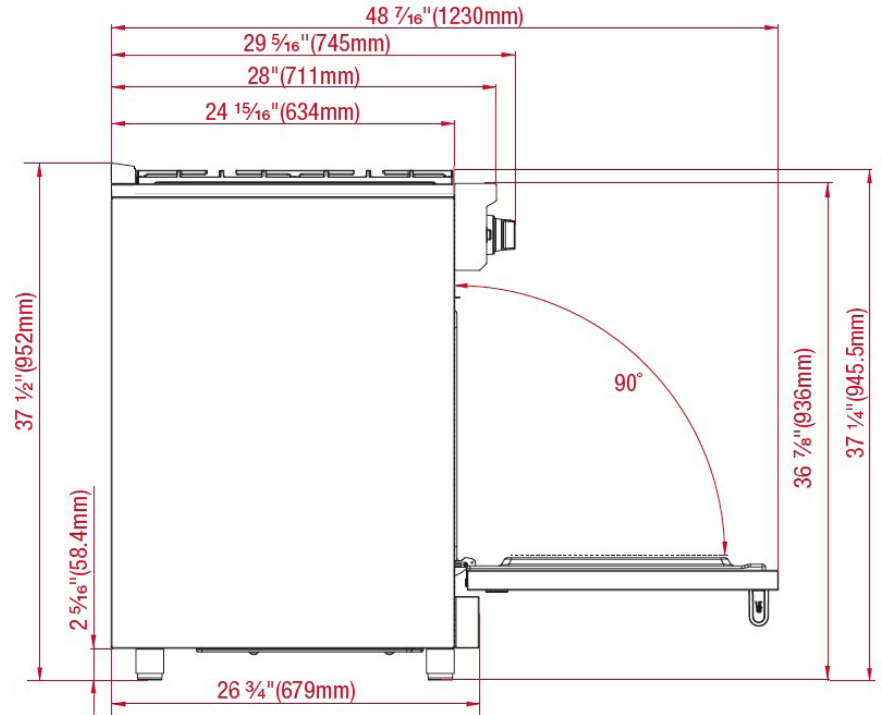
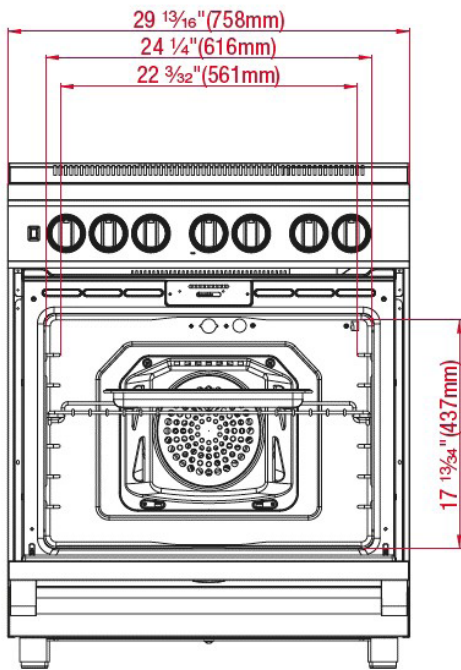
## KEY FEATURES

- Surf Convection
- 5.7 cu. ft. Oven Space
- Full Lower Extension Telescopic Rack
- 3 Wire Heavy Duty Racks with Wrap Around Metal Tines
- 12" XL Cooking Zones
- Residual Heat Indicator
- 4 Induction Cooking Zones

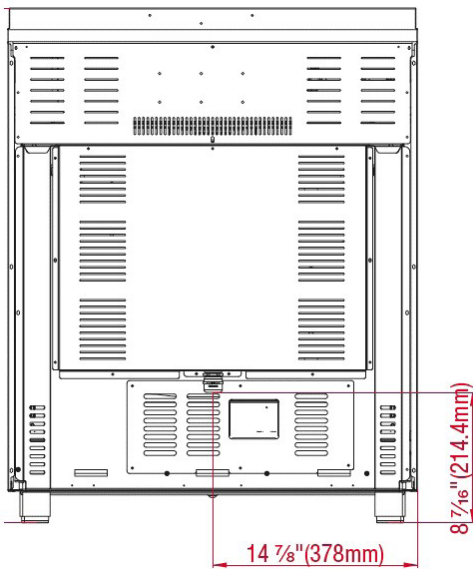
GENERAL	
Type	Freestanding
Size	30"
Finish	Stainless Steel
Side Walls	Black
Control Type	Knob Control with Multifunctions
Illuminated Knobs	Yes
FUNCTIONS	
Cooking Functions	5
Multi-Dimensional Cooking	Yes
Convection Cooking	Yes
Bottom Heater	Yes
Broiler	Yes
Broil	Electric
Convection Broiler	Yes
Convection Roast	Yes
SPECIAL FEATURES	
Cooling Fan	Yes
Cavity Enameling Color	Black
Interior Oven Lights	1x Round Halogen, 1 Square Halogen
Adjustable Feet	Yes
Anti-Tip (Tilting) Bracket	Yes
Sabbath Mode	Yes
OVEN DOOR	
Oven Glass Window	"0" Shaped Metal + Glass
Door Cooling System	Cool Door 4 Pane Heat-Resistant Glass (Fixed)
ACCESSORIES/ OVEN CAVITY	
Rack Positions	Stay In Self-clean—6 Levels
Telescopic Pull-out Shelf System	1 Level (Full Lower Extension)
Net Capacity cu. ft.	5.7 cu. ft.
Self-cleaning	Yes
Broiler Pan	Included
Chromed Racks	3
Side Trim Kit	Optional
LPG Conversion Kit	Yes
COOKTOP	
Zone Configuration	4 Induction Zones
Front Left	9" - 2,300W/ 3,700W
Rear Left	6" - 1,400W/ 2,200W
Front Right	6" - 1,400W/ 2,200W
Rear Right	11" - 2,600W/ 3,700W
POWER/RATINGS	
KW/Amps rating	220-240 V 60 Hz 40 Amp
DIMENSIONS	
Required cutout dim (H x W x D)	36" x 30" x 25 1/2"
Product Dim (H x W x D)	36" x 29 13/16" x 29 1/2" (91.4 x 75.7 x 75 cm)
Product Weight	264.5 lbs. (120 kg)
Packed HxWxD	45 1/4" x 32 3/4" x 30 9/16" (114.94 x 83.19 x 77.63 cm)
Packed Weight	319.67 lbs. (145 kg)

# 30" Pro-Style Induction Range

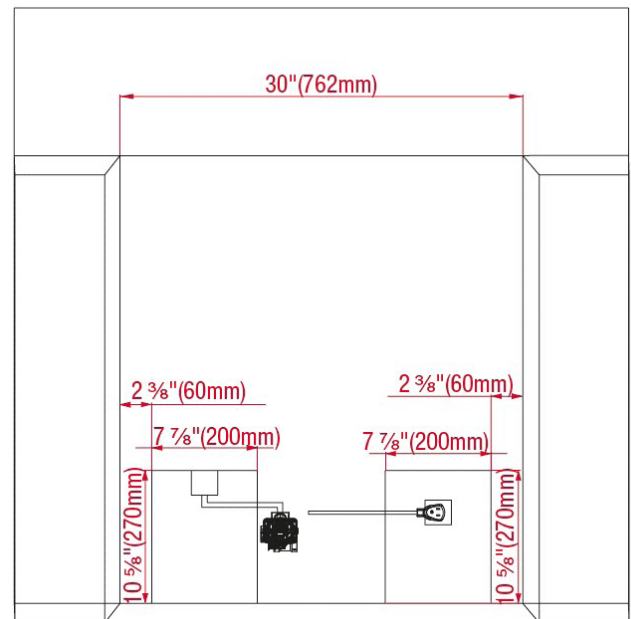
PRIR34450SS



## Electrical



## Cabinet



NOTE TO THE INSTALLER: All height, width, and depth dimensions are shown in inches (as well as metric). Beko U.S., Inc. reserves the absolute and unrestricted right to change product materials and specifications, at any time, without notice. Please visit our website, [www.BekoAppliances.com](http://www.BekoAppliances.com), or call 888.352.2356 to verify the latest specifications with final dimensional data and other details prior to installation and making a cutout. Applicable product limited warranty information may be found in accompanying product materials, or you may contact your account manager for further details. Proper installation is the responsibility of the installer. Product failure due to improper installation is not covered under the Limited Warranty.

888.352.BEKO(2356) | [BekoAppliances.com](http://BekoAppliances.com)

