



 **ASKO**

Inspired by Scandinavia

DESIGN GUIDE

REVISED 2/2019



Contents

- 3 Asko Dishwashers
- 4 Specifications
- 8 Custom Panel
- 9 Asko Washers and Dryers
- 10 Specifications
- 19 Warranty

Features and specifications are subject to change at any time without notice. Visit askona.com/specs for the most up-to-date information.

IMPORTANT NOTE: Throughout this guide, dimensions may vary by $\pm 1/8"$ (3). Dimensions in parentheses are millimeters unless otherwise specified.

Asko Dishwashers

At Asko, we design and manufacture premium quality dishwashers with a special Scandinavian touch for design and function. Panel ready models accept a custom panel and handle. Tubular and pro handle models match Sub-Zero and Wolf products. Our products meet the highest demands in performance and durability, as well as environmental awareness.

DISHWASHER MODELS

INTEGRATED HANDLE



DBI663IS
DBI663ISSOF



DBI664IXXLS
DBI664IXXLSSOF



DBI675IXXLS

TUBULAR HANDLE



DBI663THS

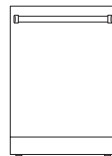


DBI664THXXLS

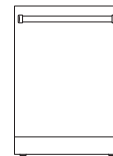


DBI675THXXLS

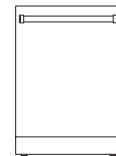
PRO HANDLE



DBI663PHS



DBI664PHXXLS

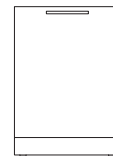


DBI675PHXXLS

PANEL READY



DFI663
DFI663XXL



DFI664
DFI664XXL
DFI664XXLSOF



DFI675XXL

OUTDOOR



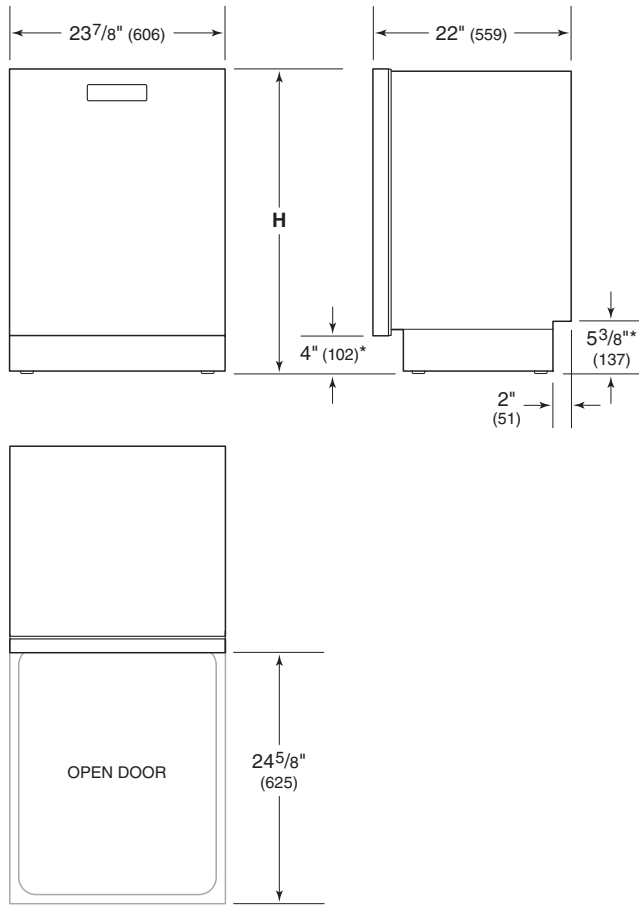
DOD651PHXXLS



D5956OUTDOORPH

Overall Dimensions

INTEGRATED HANDLE

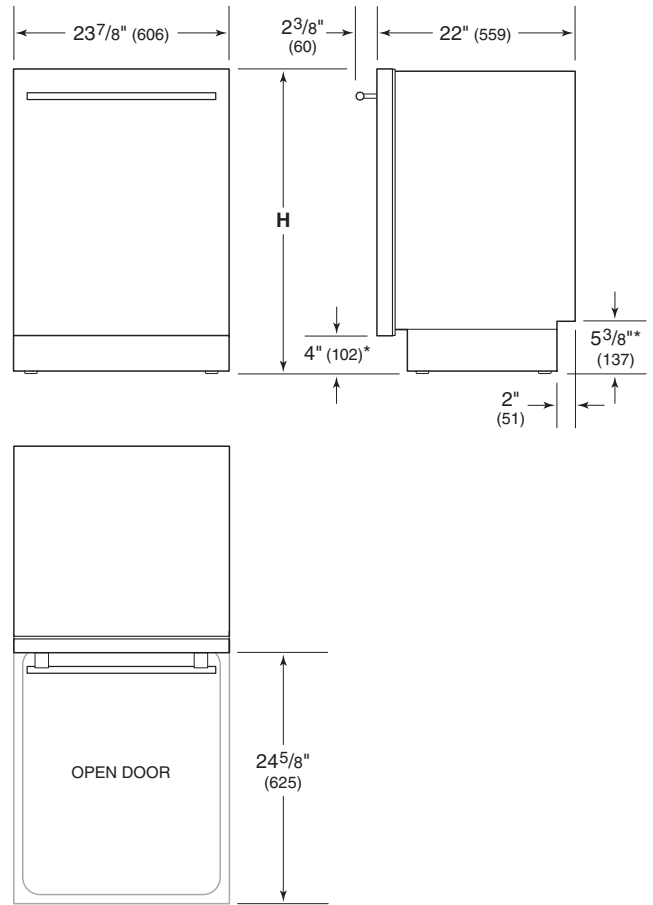


*Dimension will vary with product height.

HEIGHT	H
Non-XXL Model	32 ³ / ₄ " (832)* – 34 ³ / ₄ " (883)
XXL Model	34" (864) – 35 ³ / ₄ " (908)

*Can be reduced to 32¹/₄" (819) by removing top trim and lowering side trim.

TUBULAR/PRO HANDLE



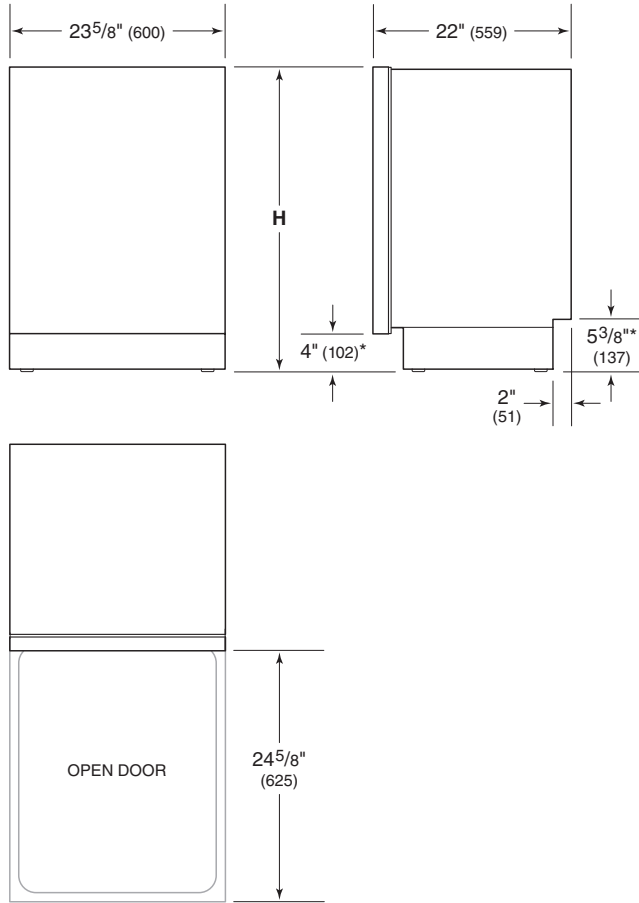
*Dimension will vary with product height.

HEIGHT	H
Non-XXL Model	32 ³ / ₄ " (832)* – 34 ³ / ₄ " (883)
XXL Model	34" (864) – 35 ³ / ₄ " (908)

*Can be reduced to 32¹/₄" (819) by removing top trim and lowering side trim.

Overall Dimensions

PANEL READY



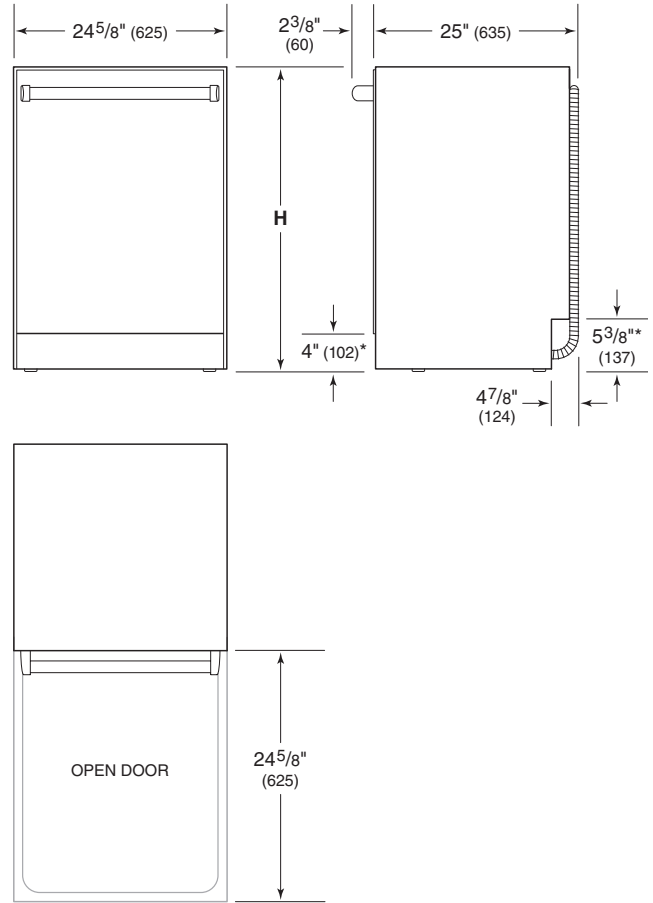
*Dimension will vary with product height.

HEIGHT	H
Non-XXL Model	32 ³ / ₄ " (832)* – 34 ³ / ₄ " (883)
XXL Model	34" (864) – 35 ³ / ₄ " (908)

*Can be reduced to 32¹/₄" (819).

IMPORTANT NOTE: Overall dimensions for panel ready models do not include panels or handles. Dimensions will vary with panel thickness.

OUTDOOR

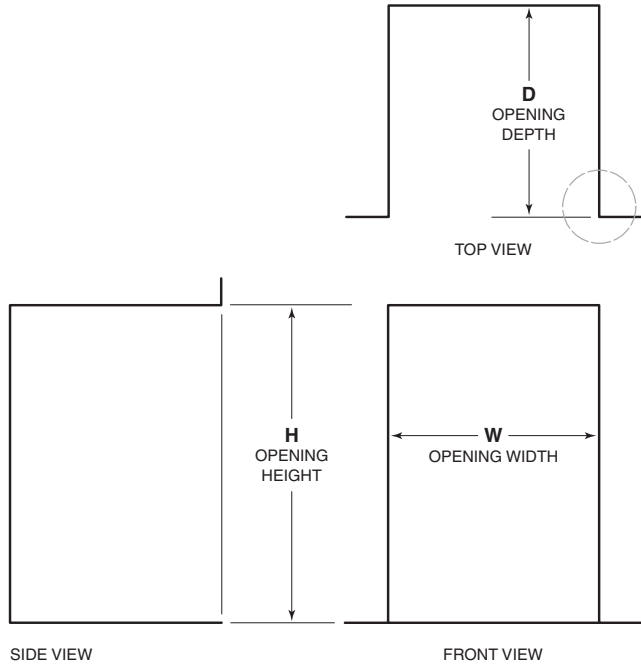


*Dimension will vary with product height.

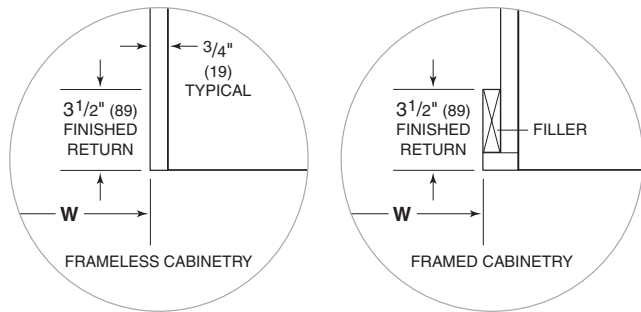
HEIGHT	H
Outdoor Model	35" (889) – 35 ³ / ₄ " (908)

Opening Dimensions

DISHWASHERS



NOTE: 3 1/2" (89) finished returns will be visible and should be finished to match cabinetry.



IMPORTANT NOTE: All indoor models can accommodate varying opening widths, however, 24" (610) and 23 5/8" (60 cm) are the two most common. A 23 5/8" (60 cm) opening will provide minimum reveals.

IMPORTANT NOTE: Panel ready models installed with a stainless steel accessory panel require a 24" (610) opening width.

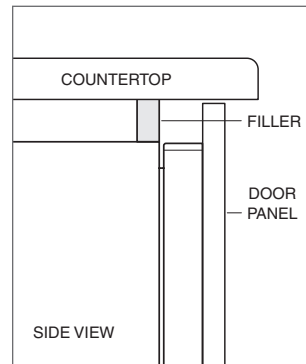
OPENING	W	H	D
Indoor Model	23 5/8" (600)	34 1/2" (876)	24" (610)
Outdoor Model	24 7/8" (632)	35 1/2" (902)	25 1/4" (641)

A minimum 3 1/2" (89) finished return is required on all sides of the opening. Framed cabinets will require additional finished filler material behind the face frame for a proper installation. Refer to the illustration.

Indoor models include top and side trim to accommodate varying opening dimensions. The top and side trim can be removed to achieve minimum reveals.

For ADA installations and height restricted openings, all indoor, non-XXL models can be installed in a 32 1/4" (819) opening by removing the top trim and lowering the side trim.

For openings exceeding 34 1/2" (876) in height, the door panel can extend above the top of the door, however, the door panel could affect control panel interaction. A filler above the unit is also required. Refer to the illustration below.



Panel height filler

Electrical

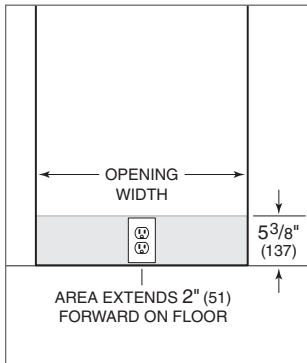
The electrical supply should be located in an adjacent cabinet. If the supply cannot be located in an adjacent cabinet, it must be located within the shaded area shown in the illustration below. A separate circuit, servicing only this appliance is required.

IMPORTANT NOTE: For the outdoor model, a ground fault circuit interrupter (GFCI) is required to reduce the risk of electrical shock. A GFCI is not recommended for use with other models and may cause interruption of operation.

Installation must comply with all applicable electrical codes.

ELECTRICAL REQUIREMENTS

Electrical Supply	115 VAC, 60 Hz
Service	15 amp dedicated circuit
Receptacle	3-prong grounding-type
Power Cord	4' (1.2 m)



Electrical supply location

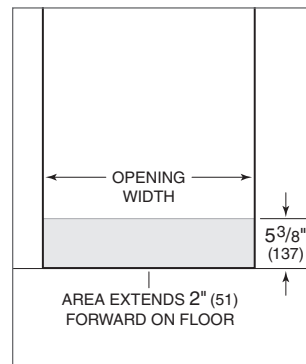
Plumbing

The water supply and drain should be located in an adjacent cabinet. If they cannot be located in an adjacent cabinet, they must be located within the shaded area shown in the illustration below. The water supply line should be connected to a hot or cold house supply with an easily accessible shut-off valve between the supply and the unit.

Installation must comply with all applicable plumbing codes.

PLUMBING REQUIREMENTS

Water Connection	6' (1.8 m) PEX tubing with 3/8" NPT female connection
Drain Connection	5' (1.5 m) corrugated tubing
Pressure	4.2–140 psi (3–9.7 bar)



Water supply and drain location

Custom Panel

PANEL READY

IMPORTANT NOTE: The size of the custom door panel is directly related to the size of the opening.

The two most common dishwasher opening widths are 24" (610) and 23⁵/₈" (60 cm). For all other widths, the panel should be 1/4" (6) less than the opening to achieve minimum reveals. The minimum panel width is 23³/₈" (594).

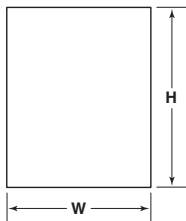
The most common dishwasher opening height is 34¹/₂" (876). The panel dimensions in the chart below are based on a 34¹/₂" (876) opening, with a 4" (102) toe kick and 3/8" (10) top reveal. For all other opening and toe kick heights, the panel must be adjusted accordingly. The minimum panel height is 28" (711). The minimum toe kick height is 4" (102).

Finish all sides of the custom panel. They may be visible when the door is open.

PANEL DIMENSIONS	W	H
23 ⁵ / ₈ " (60 cm) Opening	23 ³ / ₈ " (594)	30 ¹ / ₈ " (765)
24" (610) Opening	23 ³ / ₄ " (603)	30 ¹ / ₈ " (765)

PANEL REQUIREMENTS

Max Weight (including handle)	20 lb (9 kg)
Min Thickness	3/4" (19)



Panel dimensions

ADA CUSTOM PANEL HEIGHT

The American with Disabilities Act limits the countertop height to 34" (864). Differing countertop thickness will affect the overall panel height.

Typical panel dimensions are based on a 32¹/₂" (826) opening height with a 4" (102) toe kick and 3/8" (10) top reveal. The panel height cannot be less than 28" (711). Refer to the chart below for typical panel dimensions.

PANEL DIMENSIONS (ADA)	W	H
23 ⁵ / ₈ " (60 cm) Opening	23 ³ / ₈ " (594)	28 ¹ / ₈ " (714)
24" (610) Opening	23 ³ / ₄ " (603)	28 ¹ / ₈ " (714)

PANEL REQUIREMENTS

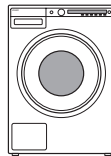
Max Weight (including handle)	20 lb (9 kg)
Min Thickness	3/4" (19)

Asko Washers and Dryers

Asko's range of washers and dryers reflect 60 years of Swedish ingenuity and continuous innovation, designed to balance performance and durability with environmental considerations. They provide the best possible washing and drying results, handling your clothes with care. No matter what life throws at you, Asko has the perfect UltraCare system to make short work of your laundry.

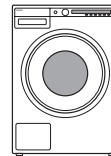
WASHER MODELS

CLASSIC



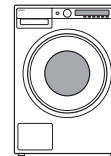
W2084W

LOGIC



W4114CW
W4114CT

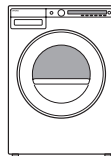
STYLE



W6124XW

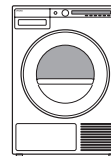
DRYER MODELS

CLASSIC



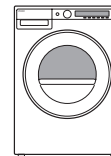
T208VW

LOGIC

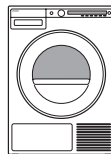


T411HSW

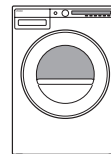
STYLE



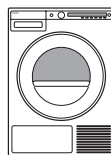
T611VUW



T208CW



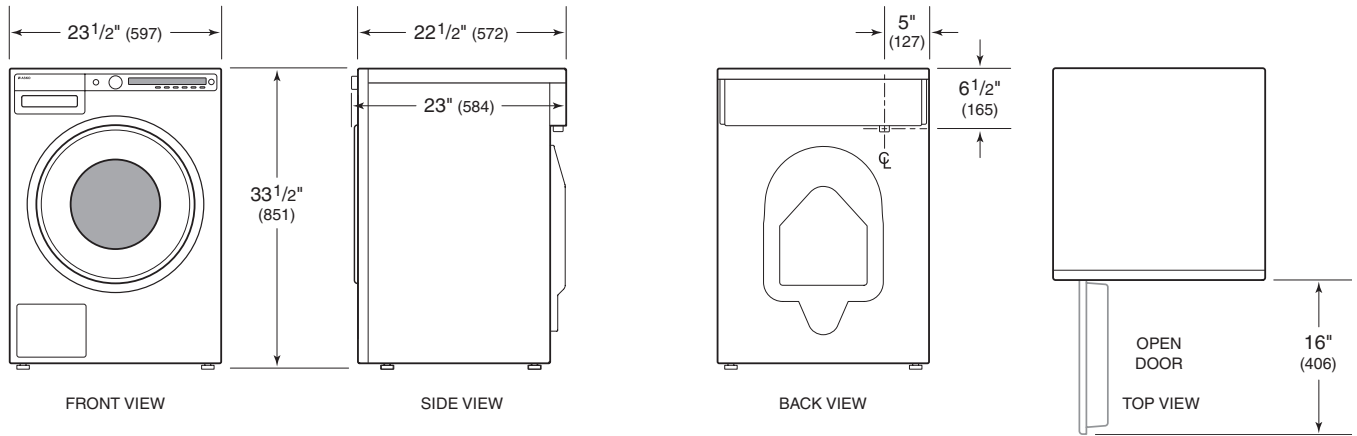
T411VDW
T411VDT



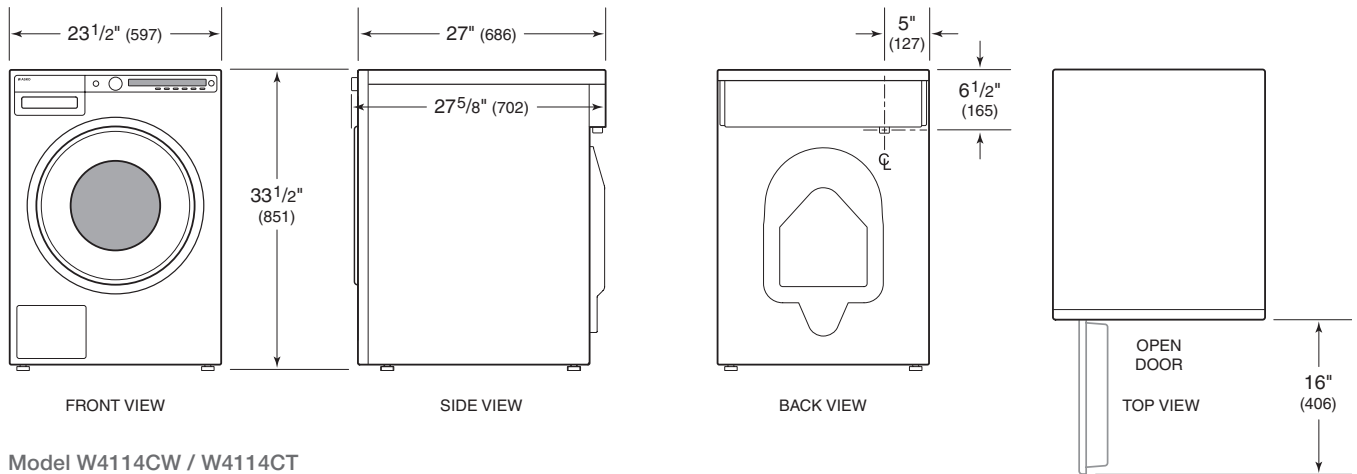
T208HW

Overall Dimensions

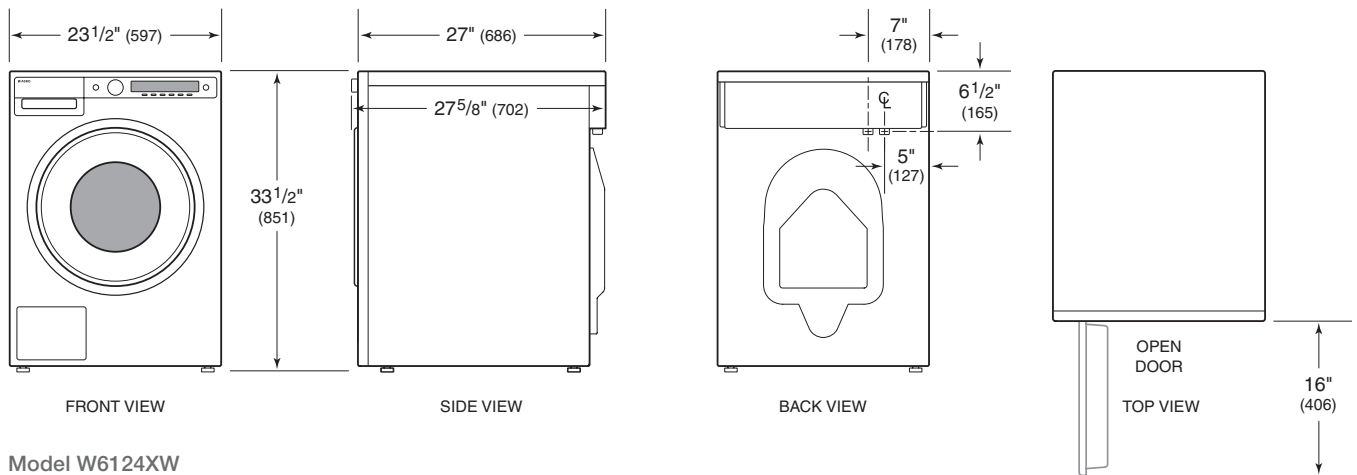
WASHERS



Model W2084W



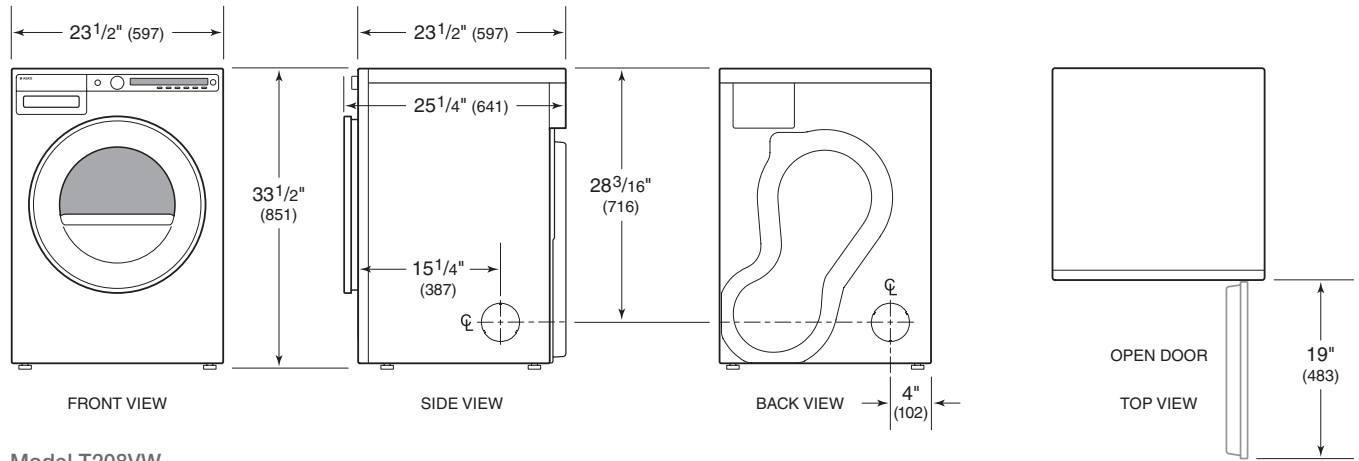
Model W4114CW / W4114CT



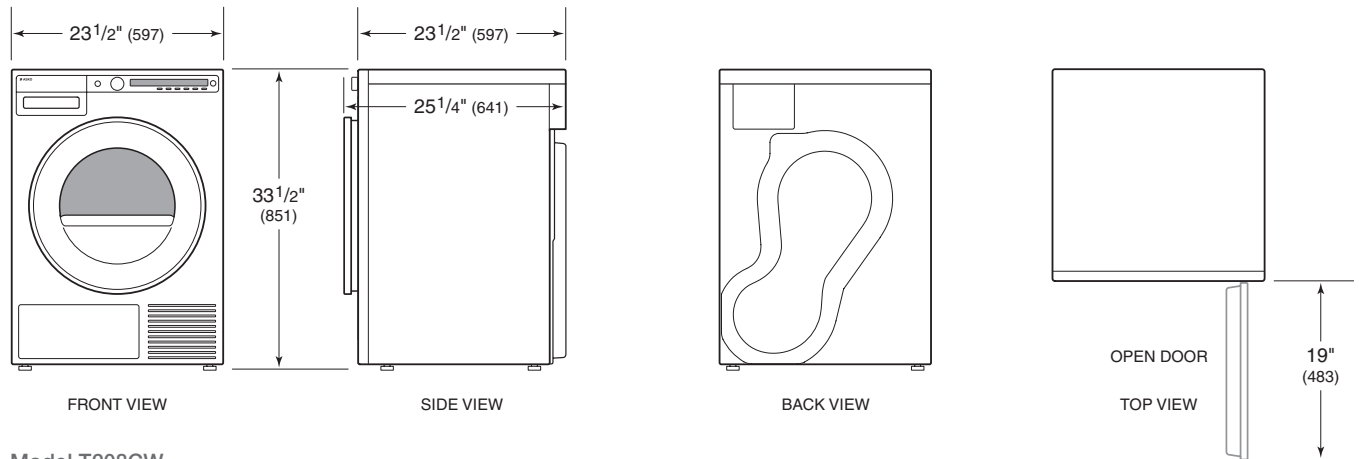
Model W6124XW

Overall Dimensions

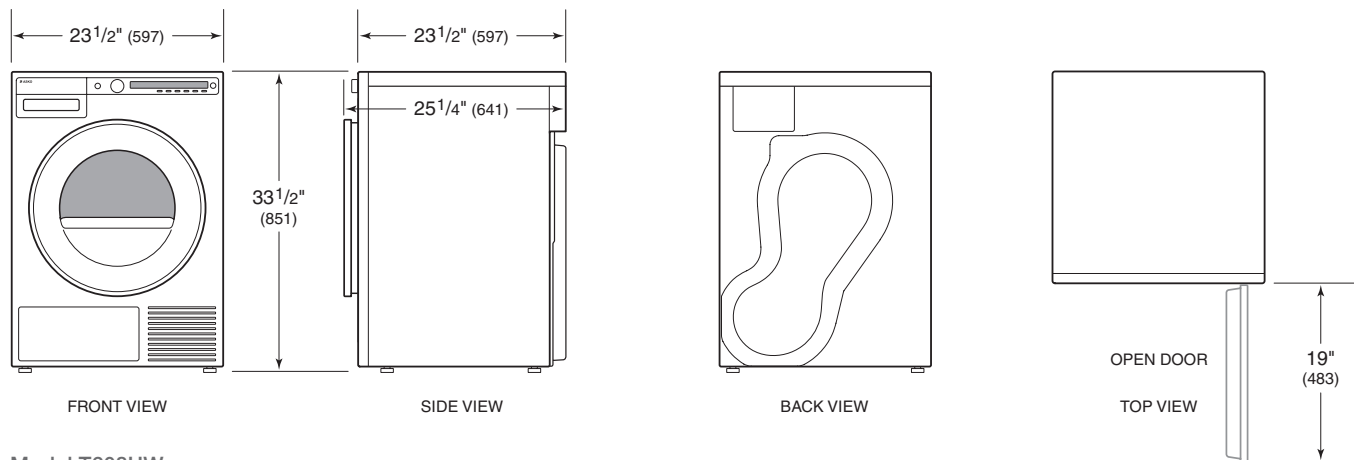
DRYERS



Model T208VW



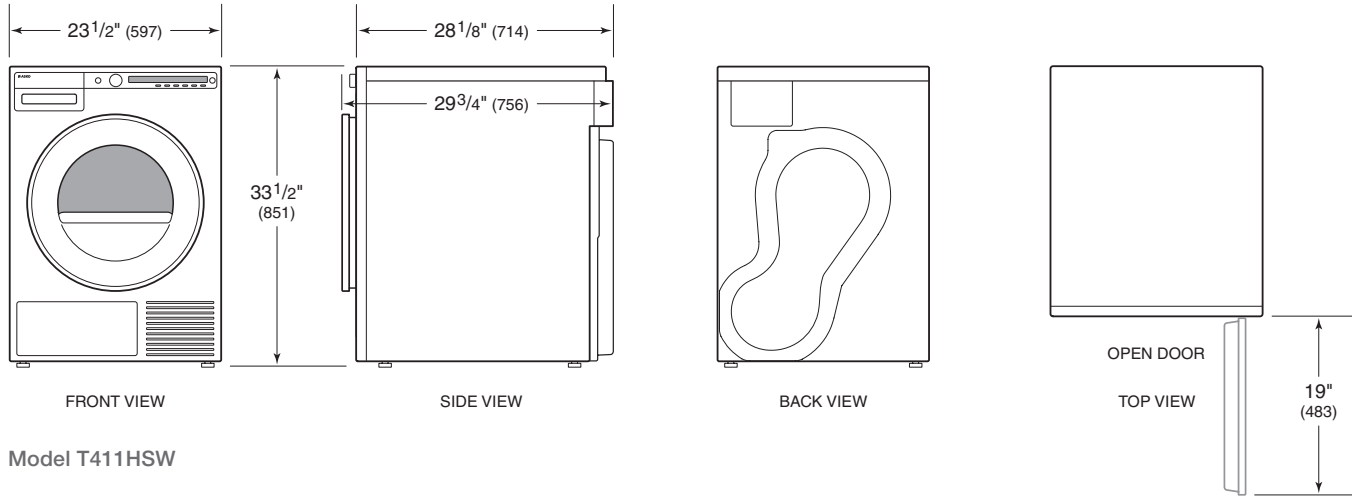
Model T208CW



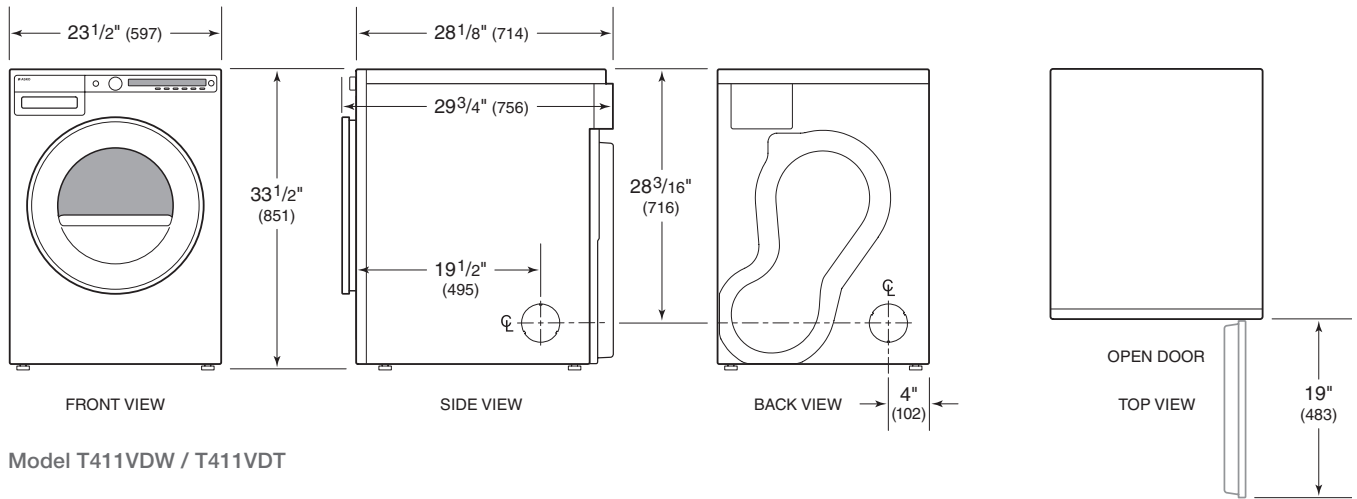
Model T208HW

Overall Dimensions

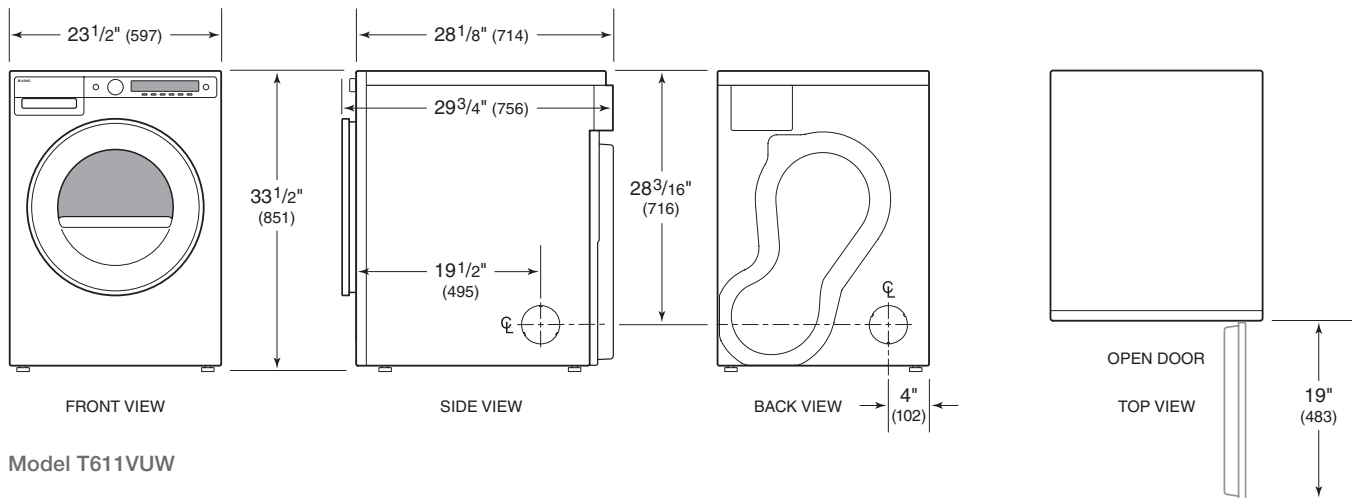
DRYERS



Model T411HSW



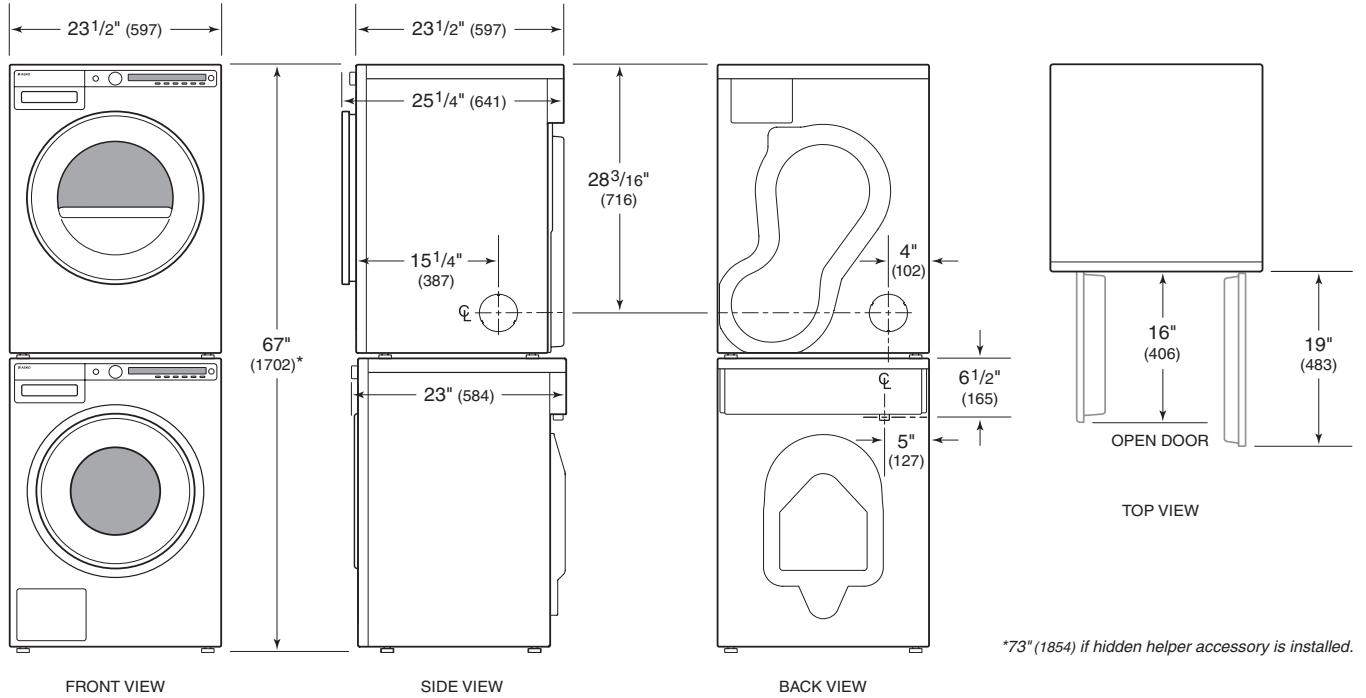
Model T411VDW / T411VDT



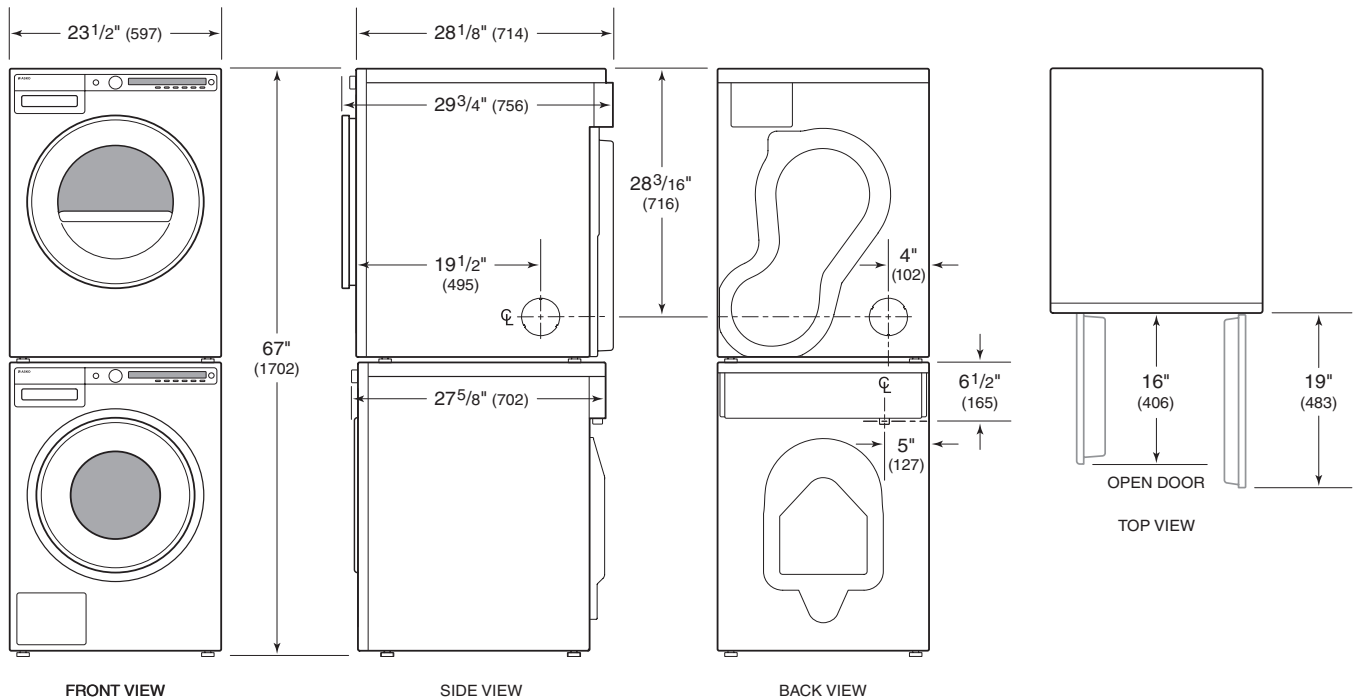
Model T611VUW

Overall Dimensions

STACKED



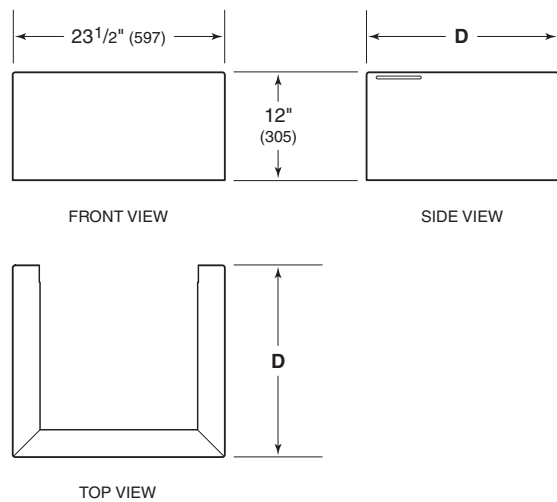
Models W208 and T208



Models W411 and T411 / W6124 and T611

Overall Dimensions

PLATFORM

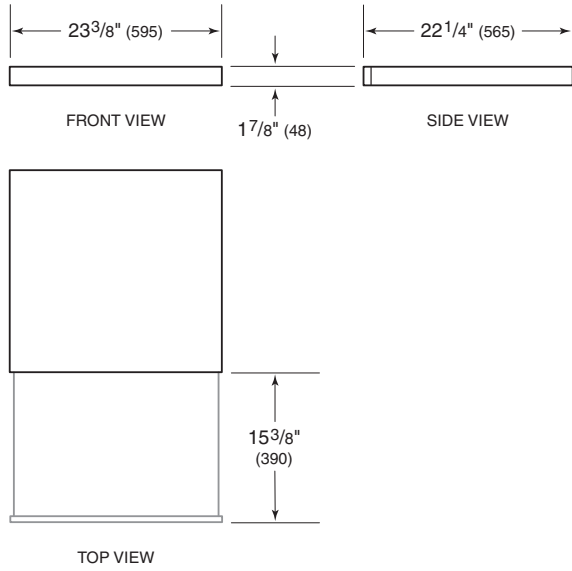


Washer/dryer platform

DEPTH	D
W208, T208	$21\frac{1}{4}"$ (540)
W411, T411	27" (686)
W6124, T611	27" (686)

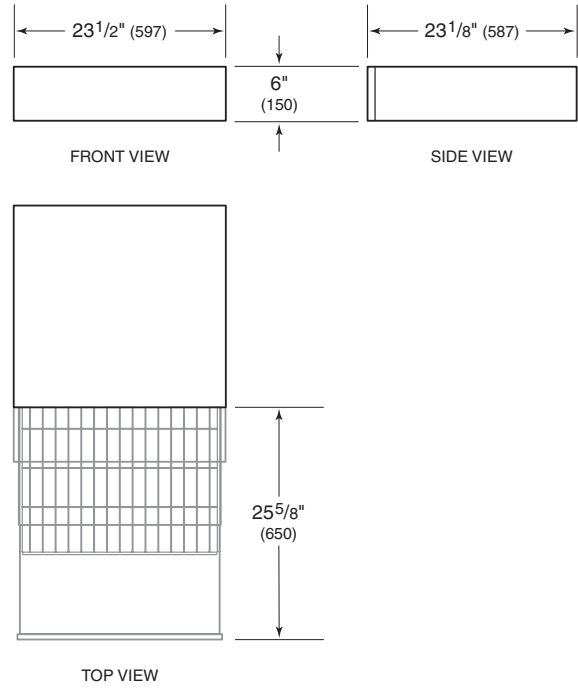
Hidden Helpers

SINGLE SHELF



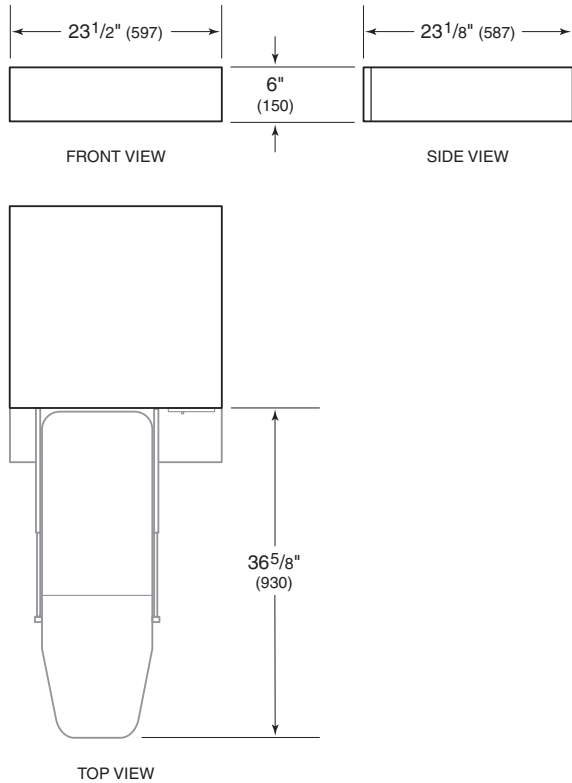
Model HSS1053W / HSS1053T

DOUBLE SHELF



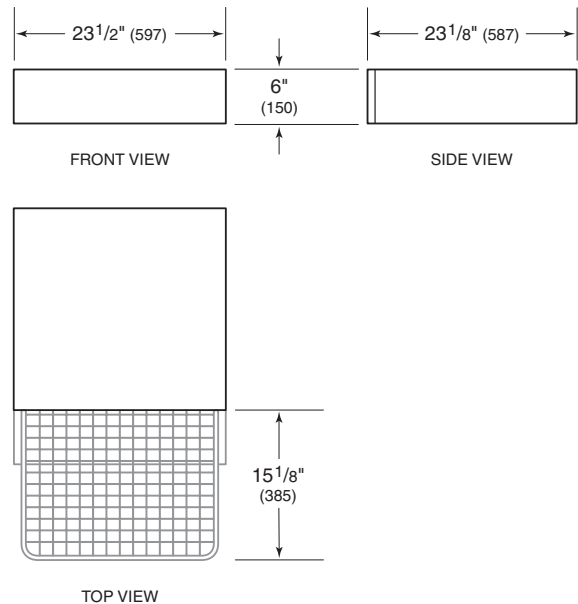
Model HDB1153W / HDB1153T

IRONING BOARD



Model HI1153W / HI1153T

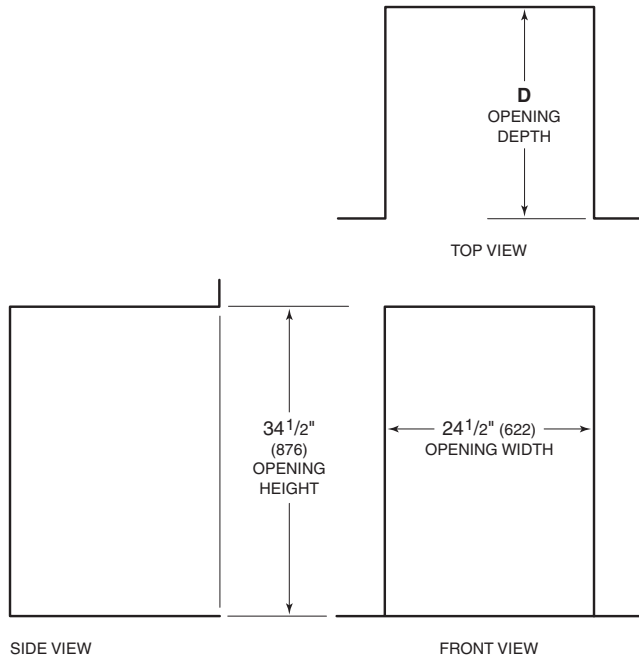
PULL-OUT BASKET



Model HB1153W

Built In Opening

SINGLE INSTALLATION

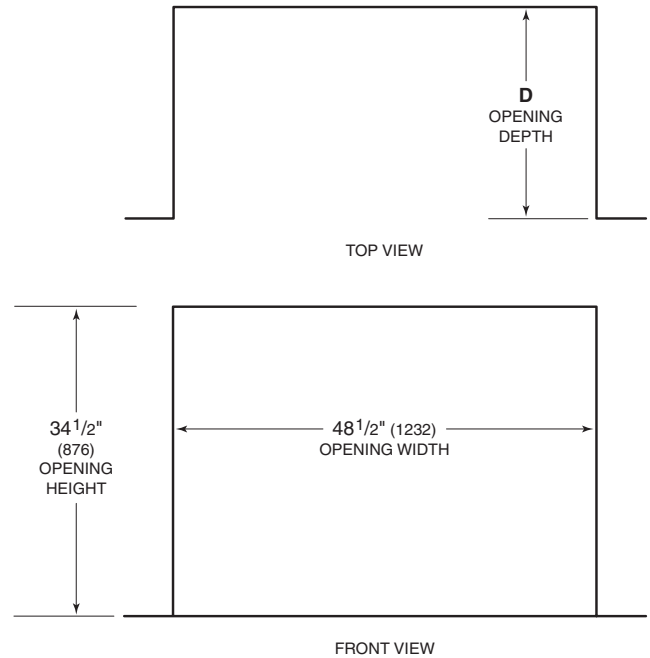


NOTE: Dimensions provide minimum reveals.

OPENING DEPTH	D*
W208	23" (582)
T208	24" (610)
W411, W6124	$27\frac{1}{2}"$ (699)
T411, T611	$28\frac{3}{8}"$ (721)

*Opening depth does not include the depth of the door.

SIDE BY SIDE INSTALLATION



NOTE: Dimensions provide minimum reveals.

OPENING DEPTH	D*
W208 and T208	24" (610)
W411 and T411	$28\frac{3}{8}"$ (721)
W6124 and T611	$28\frac{3}{8}"$ (721)

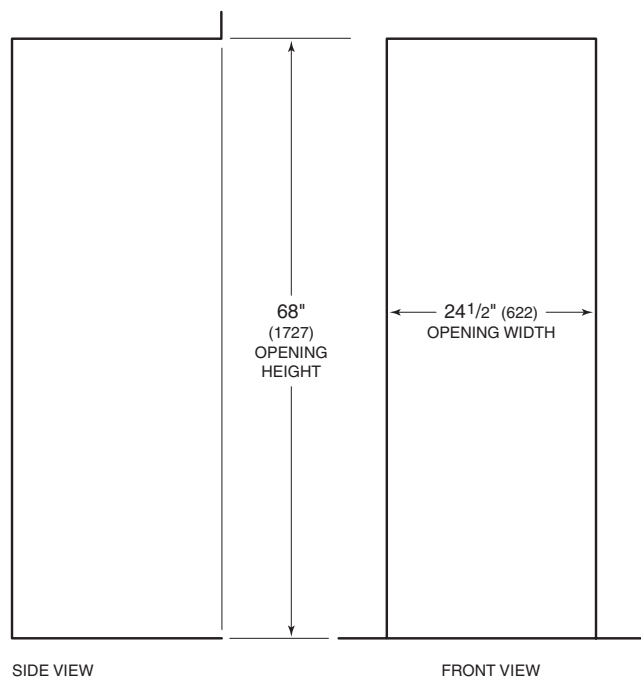
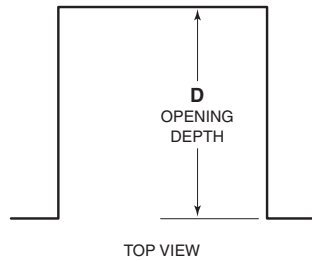
*Opening depth does not include the depth of the door.

IMPORTANT NOTE: If the washer or dryer is in a closet or enclosure with a door, the opening depth must be increased to include the depth of the door and plumbing/ventilation connections.

The door must be vented, louvered, or left open during operation. Insufficient ventilation will significantly reduce performance.

Built In Opening

STACKED INSTALLATION



NOTE: Dimensions provide minimum reveals.

IMPORTANT NOTE: If the washer or dryer is in a closet or enclosure with a door, the opening depth must be increased to include the depth of the door and plumbing/ventilation connections.

The door must be vented, louvered, or left open during operation. Insufficient ventilation will significantly reduce performance.

OPENING DEPTH	D*
W208 and T208	24" (610)
W411 and T411	28 ³ / ₈ " (721)
W6124 and T611	28 ³ / ₈ " (721)

*Opening depth does not include the depth of the door.

Electrical

A separate electrical service is not required for the washer. The receptacle for the washer is located on the back of the dryer.

If the washer is being installed separate from the dryer, refer to the electrical requirements below. The electrical location must be placed within reach of the power cord.

Installation must comply with all applicable electrical codes.

ELECTRICAL REQUIREMENTS – WASHER

Electrical Supply	grounded, 220 VAC, 60 Hz
Service	15 amp
Receptacle	NEMA 6-20R grounding-type
Power Cord	6' (1.8 m)

ELECTRICAL REQUIREMENTS – DRYER

Electrical Supply	grounded, 240/208 VAC, 60 Hz
Service	30 amp
Receptacle	NEMA 14-30R grounding-type
Power Cord	4' (1.2 m)

Plumbing

Installation must comply with all applicable plumbing codes.

PLUMBING REQUIREMENTS

Water Connection	1/2" ID min (cold only)
Pressure	15-146 psi (1-10 bar)

Asko Residential Limited Warranty

RESIDENTIAL APPLIANCES

ASKO Distribution North America, LLC. ("ASKO") warrants to the original purchaser (the "ASKO Customer") of the ASKO product (the "ASKO Product"), who purchased the ASKO Product from a distributor, dealer, manufacturer's representative or other seller who has been authorized by ASKO, that this ASKO Product is free of defects in materials and/or workmanship, subject to the terms and conditions set forth herein. This Limited Warranty covers parts and labor, except as set forth in this Limited Warranty. Service must be provided by an authorized ASKO service company. YOUR SOLE AND EXCLUSIVE REMEDY UNDER THIS LIMITED WARRANTY SHALL BE PRODUCT REPAIR AS PROVIDED HEREIN. This Limited Warranty is valid only when the ASKO Product is used in the country in which it was purchased. Proof of original purchase date is required to obtain service under this Limited Warranty.

Residential ASKO Products Used Exclusively for Household/Personal Purposes:

Two (2) Years Limited Warranty—Any warranty service claims for residential ASKO Products must be filed with ASKO within two (2) years from date of purchase. Service will be provided during normal business hours.

Residential ASKO Products Not Used Exclusively for Household/Personal Purposes or used Commercially or used in Marine, Mobile or Aeronautical Applications:

One (1) Year Limited Warranty—Any warranty service claims for ASKO Products not used exclusively for household and personal use, or used commercially or used in marine, mobile, or aeronautical applications must be filed with ASKO within one (1) year from date of purchase. Service will be provided during normal business hours.

ITEMS EXCLUDED FROM WARRANTY

This Limited Warranty does not cover:

- 1) Replacement parts or repair labor if the ASKO Product is used in a manner that is inconsistent with published user or operator instructions and/or installation instructions.
- 2) Service calls to correct the installation of the ASKO Product, to instruct you on how to use the ASKO Product, to replace or repair house fuses, or to correct house wiring or plumbing.
- 3) Consumable items and parts, such as filters.
- 4) Damage resulting from accident, alteration, misuse, abuse, negligence, fire, flood, acts of God, improper use, improper installation, installation not in accordance with electrical or plumbing codes, or use of products not approved by ASKO, as well as any attempted repair by other than authorized ASKO service companies.
- 5) Cosmetic damage, including scratches, dents, chips or other damage to the finish of the ASKO Product, unless such damage results from defects in materials or workmanship and is reported to ASKO within 5 days from date of purchase.
- 6) Pickup and delivery. The ASKO Product is intended to be repaired in your home.
- 7) Repairs to parts or systems resulting from unauthorized modifications made to the ASKO Product.
- 8) Expenses for travel and transportation for product service if the ASKO Product is located in a remote area where service by an authorized ASKO service company is not available.
- 9) The removal and reinstallation of the ASKO Product if it is installed in an inaccessible location or is not installed in accordance with ASKO's published installation instructions.
- 10) Replacement parts or repair labor on ASKO Products with original model/serial numbers that have been removed, altered or cannot be easily determined.

DISCLAIMER

YOUR SOLE AND EXCLUSIVE REMEDY UNDER THIS LIMITED WARRANTY SHALL BE PRODUCT REPAIR AS PROVIDED HEREIN. EXPRESSLY DISCLAIMED ARE ALL OTHER EXPRESS AND IMPLIED WARRANTIES, INCLUDING ANY IMPLIED WARRANTIES OF MERCHANTABILITY AND FITNESS FOR A PARTICULAR PURPOSE. Some jurisdictions do not allow exclusion or limitations regarding warranty rights. This Limited Warranty gives you specific legal rights and you may have other rights that vary from jurisdiction to jurisdiction. Attempted repair by any person other than an authorized ASKO service company will void this Limited Warranty.

LIMITATION OF LIABILITY

IN NO EVENT SHALL ASKO OR THE MANUFACTURER AND THEIR RESPECTIVE PARENTS, SUBSIDIARIES AND AFFILIATES BE LIABLE FOR CONSEQUENTIAL, INCIDENTAL, EXEMPLARY, PUNITIVE OR SPECIAL DAMAGES. IN NO EVENT SHALL ASKO OR THE MANUFACTURER AND THEIR RESPECTIVE PARENTS, SUBSIDIARIES AND AFFILIATES BE LIABLE FOR DAMAGES OTHER THAN ACTUAL DAMAGES AND IN NO EVENT FOR DAMAGES IN EXCESS OF THE PRICE PAID FOR THE ASKO PRODUCT AS TO WHICH A CLAIM IS MADE. Some jurisdictions do not allow the exclusion or limitation of incidental, consequential or other damages, so these limitations and exclusions may not apply to you. This Limited Warranty gives you specific legal rights. You also may have other rights that vary from jurisdiction to jurisdiction.

TROUBLESHOOTING AND ASKO CUSTOMER CARE

If you think you need repair service, first see the "Troubleshooting" section of the Use & Care Guide. If you are unable to resolve the problem after checking "Troubleshooting," then additional help can be obtained by calling ASKO Customer Care at 1-800-898-1879. Read the "Troubleshooting" chapter before contacting the Customer Care Center. Make a note of the details on the rating plate positioned on the right inside the dishwasher. Make a note of the (1) service number, (2) item number and (3) serial number.

SERVICE AFTER EXPIRATION OF LIMITED WARRANTY

For information about obtaining parts and labor after expiration of this Limited Warranty or arising outside the scope of this Limited Warranty, please contact ASKO Customer Care at 1-800-898-1879. After your purchase and prior to first use of the ASKO Product, register your ASKO Product with ASKO by utilizing the address information below. Should you need further assistance as well, contact us at the address information below:

ASKO Distribution North America, LLC Customer Care Center PO Box 44848 MADISON WI 53744 1-800-898-1879 www.askona.com





 **ASKO**

Inspired by Scandinavia

ASKONA.COM