

PCHLV136SS

YALE
APPLIANCE



HUSH SYSTEM



SEAMLESS LOOK



GREASE COLLECTORS



PROFESSIONAL PERFORMANCE



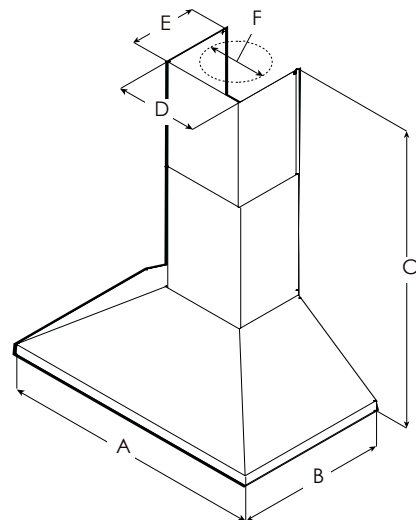
HEAT GUARD

EXCLUSIVE PLUS FEATURES

Give a splash of Italian design to your professional kitchen with crisp lines, seamless welded corner craftsmanship, beveled rim and gleaming stainless steel.

This model has the extra depth (24") and power 1200 CFM needed to support professional ranges and cooktops. No ear plugs required with our HUSH sound suppression system, which enables you to comfortably talk and entertain, even when cooking up a storm. Available in 36" width, this hood features backlit hidden knob controls, which operate the 4-speed blower and LED lighting.

Designed for standard ducted ventilation only.



MOUNTING HEIGHT RANGE

	PCHLV136SS
A	36" (91.4 cm)
B	24" (61 cm)
C	Max: 47 5/8" (120.9 cm) Min: 30" (76.2 cm)
D	13 1/8" (33.2 cm)
E	10 5/8" (27 cm)
F	8" (20.3 cm)






PCHLV136SS



SPECIFICATIONS

Width:	36" Unit
Model:	PCHLV136SS
Dimensions:	36"W x 24"D x 12 1/8"H
Blower Type(internal):	1200 CFM(4-speed)
Blower Performance:**	
Power (CFM):	Min: 340, Max: 1200 CFM
Noise (sones):	Min: 2.0 , Max: 8.5
CFM Reduction:	Electronic CFM reduction KIT included
Finish:	Stainless Steel
Controls:	Fully retractable rotating knobs with white backlighting
Illumination: <small>(replaceable lamps 1 intensity)</small>	2 LED, 7.5 Watts 3000 KELVIN 540 LUMEN/Lamp
Grease Filter:	Professional stainless steel baffle (3)
Duct Transition:	8" Round with BackDraft Damper (top only)
Installation Type:	Ducted Installation Only
Electrical:	120V - 60 Hz, 913 Watts
KITS:	
Long Chimney Ext.	ACC02785 (can reach up to 13' ceilings) ACC01935 (can reach up to 11' ceilings)
External Blower Shell Kit:	ACC0179547 (8" or 10" duct size compatible.)
Inline Blower Shell Kit:	ACC0179549 (8" or 10" duct size compatible.)
INSTALL HEIGHTS:	
Standard duct covers:	Reach ceiling hights of Min: 8', Max 10'
WARRANTY:	One (1) year parts & in-home labor

PLUS FEATURES

- 
HUSH SYSTEM - An exclusive sound deadening technology that effectively reduces sound levels by over 35%
- 
STAINLESS STEEL BAFFLE FILTERS WITH GREASE COLLECTORS - Designed for high airflow cooking, the "S" shape design traps high volumes of grease
- 
SEAMLESS CRAFTSMANSHIP - Heavy gauge stainless steel "Seamless" construction that delivers refined elegance.
- 
PROFESSIONAL PERFORMANCE - Special features and high performances for models with aspiration capacity between 600 and 1200 CFM's
- 
HEAT GUARD - Senses extreme temperatures (>158 degrees) and automatically adjusts the blower speed to HIGH

HVI Certified Ratings	High Speed	Working Speed	Duct Size
CFM	780	310	8" Vertical
Sones	12.5	3	

* The product images shown are for illustration purposes only and may not be an exact representation of the product.

** Blower performance indicates the performance of the blower by itself. Performance claims are not HVI certified but were established in accordance with HVI Standardized test procedure. For Certified Ratings, please refer to HVI Certified Product Directory. Electric Ratings are declared according to UL.