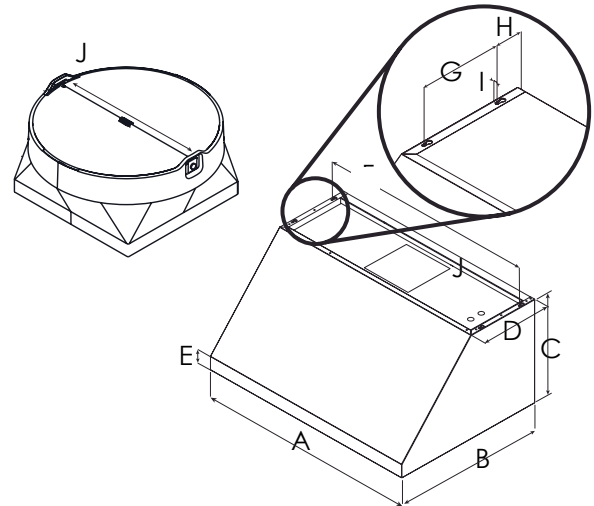




For homeowners who are passionate about the culinary arts, the seamless welded corner craftsmanship, traditional styling and gleaming stainless steel of this hood, provides the look and performance expected from a professional-grade range hood. With the new backlit hidden knob controls and traditional baffle filters, it is available in 30", 36" and 48" widths and equipped with a 600 CFM (30") or 1200 CFM blower (36", 48") to support all cooking needs. Designed for standard ducted ventilation only.

*The product images shown are for illustration purposes only and may not be an exact representation of the product.



MOUNTING
HEIGHT
RANGE

| | PWLCL630SS | PWLCL136SS | PWLCL148SS |
|---|--|--|---|
| A | 30" (76 cm) | 36" (91.1 cm) | 48" (121.7 cm) |
| B | | 25" (63.5 cm) | |
| C | | 18" (45.7 cm) | |
| D | | 12" (30.3 cm) | |
| E | | 1 ⁵ / ₈ " (5.7 cm) | |
| F | 29 ¹ / ₈ " (74 cm) | 35 ¹ / ₈ " (89.2 cm) | 47 ¹ / ₈ " (119.7 cm) |
| G | | 7 ¹ / ₂ " (19 cm) | |
| H | | 2 ⁹ / ₁₆ " (63.5 cm) | |
| I | | 3 ³ / ₈ " (1 cm) | |
| J | | 10" (25.45 cm) | |



SPECIFICATIONS

| Widths: | 30" UNIT | 36" UNIT | 48" UNIT |
|---|--|-------------------------|-------------------------|
| Model: | PWLCL130SS | PWLCL136SS | PWLCL148SS |
| Dimensions: | 30"W x 25"D x 18"H | 36"W x 25"D x 18"H | 48"W x 25"D x 18"H |
| Blower Type(internal): | 600 CFM (4-speed) | 1200 CFM (4-speed) | 1200 CFM (4-speed) |
| Blower Performance:** | | | |
| Power (CFM): | Min: 180, Max: 600 CFM | Min: 340, Max: 1200 CFM | Min: 340, Max: 1200 CFM |
| Noise (sones): | Min: 1.5, Max: 7.0 | Min: 2, Max: 8.5 | Min: 2, Max: 8.5 |
| CFM Reduction: | Electronic CFM reduction KIT included | | |
| Finish: | Stainless steel | | |
| Controls: | Fully retractable rotating knobs with white backlighting | | |
| Illumination: | 2 LED, 7.5 W 3000 KELVIN 540 lumens | | 4 LED, 7.5 W |
| Grease Filter: | Professional stainless steel baffle 2 with 30" and 36" & 3 with 48" | | |
| Duct Transition: | 10" round transition, optional 8" round transition included | | |
| Installation Type: | Ducted Installation Only | | |
| Electrical: | 120V - 60 Hz, 463 Watts | 120V - 60 Hz, 913 Watts | 120V - 60 Hz, 926 Watts |
| KITS: | | | |
| Long Chimney Extension Kit 6": | ACC02159 | ACC2158 | ACC2164 |
| Long Chimney Extension Kit 12": | ACC02160 | ACC02161 | ACC02165 |
| Heat lamps | ACC0155106 | ACC0155107 | ACC0155111 |
| Stainless steel Backsplash & warm racks | ACC0142864 | ACC0142867 | ACC0142870 |
| External Blower Shell Kit - 8" or 10" duct size compatible. | ACC0179547 | | |
| Inline Blower Shell Kit - 8" or 10" duct size compatible | ACC0179549 | | |
| WARRANTY: | One (1) year parts & in-home labor | | |

PLUS FEATURES



HUSH SYSTEM - An exclusive sound deadening technology that effectively reduces sound levels by over 35%.



STAINLESS STEEL BAFFLE FILTERS WITH GREASE COLLECTORS - Designed for high airflow cooking, the "S" shape design traps high volumes of grease.



PROFESSIONAL PERFORMANCE - Special features and high performances for models with aspiration capacity between 600 and 1200 CFM's.



HEAT GUARD - Senses extreme temperatures (>158 degrees) and automatically adjusts the blower speed to HIGH.



SEAMLESS CRAFTSMANSHIP - Heavy gauge stainless steel "Seamless" construction that delivers refined elegance.

| Width | HVI Certified Ratings | High Speed | Working Speed | Duct Size |
|-------|-----------------------|------------|---------------|--------------|
| 30" | CFM | 490 | 180 | 10" Vertical |
| 36" | Sones | 8.5 | 1.5 | |
| 36" | CFM | 910 | 340 | 10" Vertical |
| 42" | Sones | 12.5 | 2 | |
| 48" | | | | |

* The product images shown are for illustration purposes only and may not be an exact representation of the product.

** Blower performance indicates the performance of the blower by itself. Performance claims are not HVI certified but were established in accordance with HVI Standardized test procedure. For Certified Ratings, please refer to HVI Certified Product Directory. Electric Ratings are declared according to UL.