



USER MANUAL

Side By Side Refrigerator

Power supply: 115 V
Frequency: 60 Hz
Capacity: 26.3 cu. ft.



Free 3 months extension of the original limited warranty period!* Simply text a picture of your proof of purchase to:

1-844-224-1614

*The warranty extension is for the three months immediately following the completion of the product's original warranty period.

Warning:

Before using this product, please read this manual carefully and keep it for future reference. The design and specifications are subject to change without prior notice for product improvement. Consult with your dealer or manufacturer for details.

Dear user

THANK YOU and **CONGRATULATIONS** on your purchase of this high-quality Midea product. Your Midea refrigerator is designed for reliable, trouble-free performance. Please take a moment to register your new refrigerator.

Register your new refrigerator at **www.midea.com** under the **Support** tab.

For future reference, record your product model and serial numbers located on the back of the refrigerator above the compressor compartment.

Model Number _____

Serial Number _____

REFRIGERATOR SAFETY	3
OPERATION REQUIREMENTS	7
Location Requirements	7
Electrical Requirements	8
Water Supply Requirements	9
PARTS AND FEATURES	10
INSTALLATION.....	11
Unpack.....	11
Door Removal (only if needed).....	11
Connect to Water	14
Move to Final Location	16
Install Water Filter	17
Door Alignment (If needed)	19
Level Refrigerator.....	20
BEFORE USE	20
Waiting Period.....	20
Cleaning	20
REFRIGERATOR USE.....	21
General	21
Controls.....	22
Ice Maker.....	25
Dispenser	26

Drip Tray.....	27
REFRIGERATOR CARE.....	28
Cleaning	28
Moving	29
Storage	29
Replacing Lights	29
TROUBLESHOOTING	30
General	30
Ice and Water.....	33
Error Codes.....	36
PERFORMANCE DATA SHEET	37
WARRANTY.....	38

REFRIGERATOR SAFETY

YOUR SAFETY AND THE SAFETY OF OTHERS ARE VERY IMPORTANT

To prevent injury to the user or other people and property damage, the instructions shown here must be followed. Incorrect operation due to ignoring of instructions may cause harm or damage, including death.

The level of risk is shown by the following indications.



This symbol indicates the possibility of death or serious injury.



This symbol indicates the possibility of injury or damage to property.



This symbol indicates the possibility of dangerous voltage constituting a risk of electrical shock is present that could result in death or serious injury.

IMPORTANT SAFETY INSTRUCTIONS

WARNING

GENERAL APPLIANCE SAFETY

- Read all safety warnings, instructions, illustrations and specifications provided with this appliance. Failure to follow all instructions listed below may result in electric shock, fire and/or serious injury.
- Save all warnings and instructions for future reference.

ELECTRICAL SAFETY

- Plug into a grounded 3 prong outlet.
- Do not remove ground prong.
- Do not use an adapter.
- Unplug the power cord by holding the plug, never by pulling the cord.
- Do not turn the appliance on or off by plugging in or unplugging the power cord.
- Do not use an extension cord.
- Unplug the refrigerator before cleaning or defrosting.

NOTE: Power to the refrigerator cannot be disconnected by pressing a control on the control panel.

Grounding requirement

- This refrigerator must be grounded. This refrigerator is equipped with a grounding plug. The plug must be inserted into an outlet that is properly installed and grounded.
- Improper use of the grounding plug can result in a risk of electric shock. Consult a qualified electrician or service person if the grounding instructions are not completely understood or if doubt exists as to whether the refrigerator is properly grounded.

LOCATION SAFETY

- This refrigerator is intended to be used in household and similar environments.
- Install in accordance with the manufacturer's instructions.
- This refrigerator should not be recessed or built-in an enclosed cabinet. It is designed for freestanding installation only.
WARNING - Keep ventilation openings, in the refrigerator, clear of obstruction.
- When moving the refrigerator, do not roll over or damage the power supply cord.
- Do not install near any heat sources, such as radiators, heat registers, stoves, other cooking appliances or in direct sunlight.
- Keep flammable materials and vapors, such as gasoline, away from refrigerator.

USE AND CARE SAFETY

- Flammable refrigerant used. Follow handling instructions carefully. Risk of fire or explosion due to puncture of refrigerant tubing.
- Flammable refrigerant used. Do not use mechanical devices to defrost freezer. Do not puncture refrigerant tubing.
- Do not store or use gasoline or any flammable liquids inside or in the vicinity of this refrigerator.
- Use two or more people to move and install refrigerator.
- Connect refrigerator to a potable water supply only for ice maker and dispenser use.
- This appliance is not intended for use by persons (including children) with reduced physical, sensory or mental capabilities, or lack of experience and knowledge, unless they have been given supervision or instruction concerning use of the appliance by a person responsible for their safety.
- Children should be supervised to ensure that they do not play with the appliance.
- Keep fingers out of the “pinch point” areas; clearances between the doors and between the doors and cabinet are necessarily small. Be careful closing doors when children are in the area.
- Do not use electrical appliances inside the food storage compartments of the appliance, unless they are of the type recommended by the manufacturer.
- Do not touch the interior of the freezer with wet hands. This could result in frostbite.
- Use nonflammable cleaner. Clean only with a damp cloth.
- In refrigerators with automatic icemakers, avoid contact with the moving parts of the ejector mechanism, or with the heating element that releases the cubes. Do not place fingers or hands on the automatic ice making mechanism while the refrigerator is plugged in.
- Do not use electrical appliances on the top of the refrigerator, unless they are of the type recommended by the manufacturer.
- Do not place heavy objects on the top of the refrigerator considering that objects may fall when doors are opened and closed.
- Do not store beer, beverages or other fluid contained in bottles or enclosed containers in the freezer. The bottles or containers may crack due to freezing.

SERVICE SAFETY


- Disconnect power before servicing.
- Flammable refrigerant used. To be repaired only by trained service personnel. Do not puncture refrigerant tubing.

- Refer all servicing to qualified service personnel. Do not repair or replace any part of this appliance unless specifically recommended in this manual. Servicing is required when the appliance has been damaged in any way, such as the power supply cord or plug is damaged, liquid has been spilled or objects have fallen into the appliance, the appliance has been exposed to rain or moisture, does not operate normally, or has been dropped.
- If the supply cord is damaged, it must be replaced by the manufacturer, its service agent, or similarly qualified person, in order to avoid a hazard.
- If component part is damaged, it must be replaced by the manufacturer, its service agent or similarly qualified persons in order to avoid a hazard.
- Replace all parts and panels before operating.


SAVE THESE INSTRUCTIONS

THIS APPLIANCE IS FOR HOUSEHOLD USE ONLY

State of California Proposition 65 Warnings:

 **WARNING:** Cancer and Reproductive Harm
 -www.P65Warnings.ca.gov.

PROPER DISPOSAL

 **WARNING**

Suffocation Hazard

Before you throw away your old refrigerator:

- Remove the doors and drawers so that children cannot hide or get trapped inside your old appliance.
- Leave any shelves in place so that children may not easily climb inside.
- Failure to follow these instructions can result in death or brain damage.

IMPORTANT: Refrigerant and cyclopentane foaming material used for the appliance are flammable. It is the consumer's responsibility to comply with Federal and Local regulations when disposing of this product. Refrigerants must be evacuated by a licensed, EPA certified refrigerant technician in accordance with established procedures.

OPERATION REQUIREMENTS

LOCATION REQUIREMENTS

WARNING

Explosion and Fire Hazard

- Keep flammable materials and vapors, such as gasoline, away from appliance.
- Failure to do so, can result in death, explosion or fire.

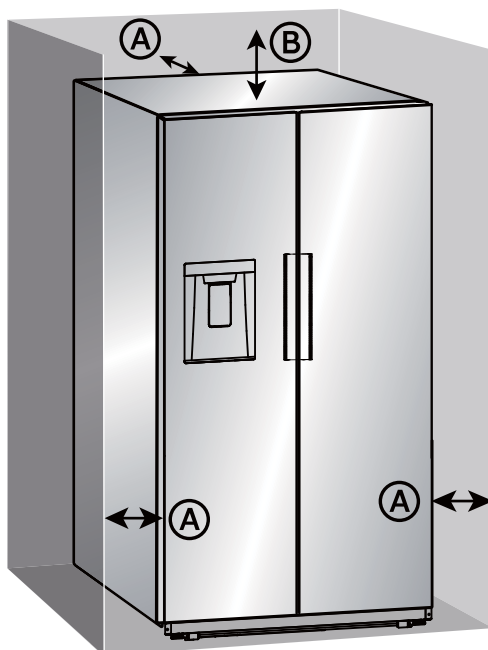
This refrigerator is designed to be freestanding only, and should not be recessed or built-in.

- Place your refrigerator on a floor that is level and strong enough to support the refrigerator when it is fully loaded.
- Place your refrigerator where there is access to the required electrical connection. See “Electrical Requirements.”
- Locate the refrigerator away from direct sunlight and sources of heat, such as a stove, heater or radiator.

NOTES:

- Direct sunlight may affect the acrylic coating and heat sources may increase electrical consumption.
- Extremely cold temperatures may also prevent the refrigerator from performing properly.
- Avoid locating the refrigerator in areas with high humidity.
- Adequate air circulation is required for efficient operation. Maintain the recommended clearance to ensure adequate air circulation.

RECOMMENDED CLEARANCE



- Ⓐ Back and sides:
3" (7.6 cm)
- Ⓑ Top: 3" (7.6 cm)

NOTE: If you place the refrigerator next to a fixed wall, allow sufficient space for the door to swing open.

ELECTRICAL REQUIREMENTS

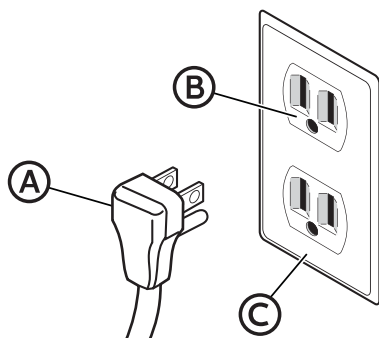
WARNING

Electrical Shock Hazard

- Plug into a grounded 3 prong outlet.
- Do not remove the ground prong from the power cord plug.
- Do not use an adapter.
- Do not use an extension cord.
- Failure to do so can result in death, fire or electrical shock.

IMPORTANT: A 115 Volt, 60 Hz., AC only, 15-amp fused, grounded electrical supply is required.

- Use an electrical outlet that accepts the grounding prong.
NOTE: The power cord is equipped with a 3-prong (grounding) plug which mates with a standard 3-prong (grounding) electrical outlet.
- We recommend that the refrigerator be plugged into an electrical circuit serving ONLY this appliance.
- Use an electrical outlet that cannot be turned off with a switch or pull-chain.
- DO NOT use an extension cord.



- Ⓐ 3-prong plug
- Ⓑ 3-prong receptacle
- Ⓒ Receptacle box cover

WATER SUPPLY REQUIREMENTS

A cold water supply with water pressure between 30 and 100 psi (207 and 689 kPa) is required to operate the water dispenser and ice maker. If you have questions about your water pressure, call a licensed, qualified plumber.

IMPORTANT: Operation outside the water pressure range may cause malfunction and severe, damaging water leaks.

NOTE: If the water pressure is less than what is required, the flow of water from the water dispenser could decrease or ice cubes could be hollow or irregularly shaped.

Reverse Osmosis Water Supply (if applicable)

IMPORTANT: The pressure of the water supply coming out of a reverse osmosis system going to the water inlet valve of the refrigerator needs to be between 30 and 100 psi (207 and 689 kPa).

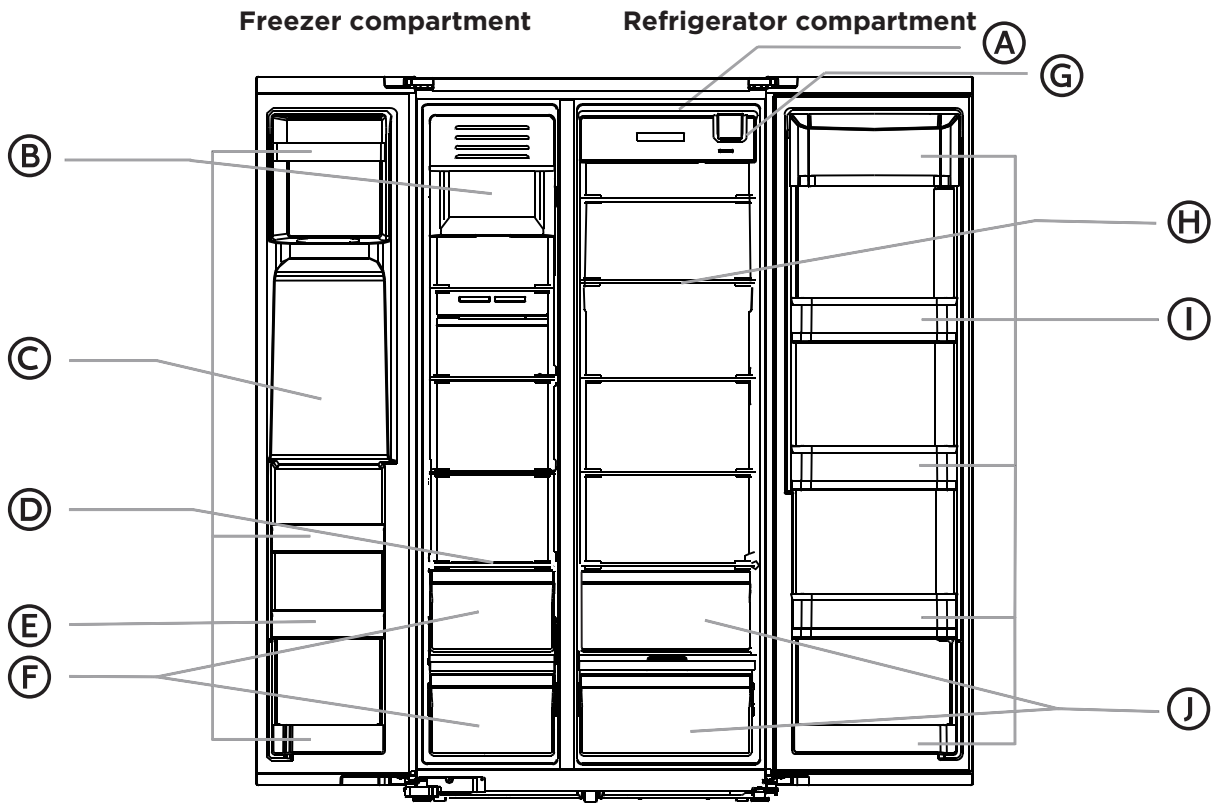
If water pressure is too low:

Check to see whether the sediment filter in the reverse osmosis system is blocked. Replace the filter if necessary.

Allow the storage tank on the reverse osmosis system to refill after heavy use. The tank capacity could be too small to keep up with the requirements of the refrigerator.

If your refrigerator has a water filter, it may further reduce the water pressure when used in conjunction with a reverse osmosis system. Remove the water filter.

PARTS AND FEATURES



- | | | |
|-------------------------|---------------|----------------|
| Ⓐ LED Light | Ⓓ Glass Shelf | Ⓖ Water Filter |
| Ⓑ Ice Storage Bin | Ⓔ Door Bin | Ⓗ Glass Shelf |
| Ⓒ Ice / Water Dispenser | Ⓕ Drawer Bin | Ⓘ Door Bin |
| | | ⓵ Drawer Bin |

SPECIFICATIONS

Dimension (WxDxH)	35.8" x 33.9" x 69.9" (91 x 86 x 178 cm)
Width with door open 90°	40.9" (104 cm)
Width with door open 130°	61.4" (156 cm)
Weight	284 lbs. (129 kg)
Power requirements	115 V ~ 60 Hz, 15A minimum requirement
Power cord length	66.9" (170 cm)

INSTALLATION

UNPACK

WARNING

Fire or Explosion Hazard

- Do not puncture refrigerant tubing.
- Follow handling instructions carefully.
- Flammable refrigerant used.
- Failure to do so can result in death, explosion or fire.

IMPORTANT: Remove ALL exterior and interior packing materials including the foam packing between the exterior condenser and the refrigerator cabinet.

DOOR REMOVAL (ONLY IF NEEDED)

Measure the refrigerator to make sure it will fit through the doorway. If the refrigerator cannot pass easily through the doorway, follow the instructions to remove the refrigerator compartment doors and the freezer compartment doors.

WARNING

Electrical Shock Hazard

- Disconnect power before removing doors.
- Reconnect ground wire before operating.
- Failure to do so could result in death or electric shock.

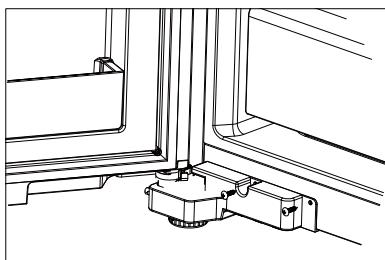
TOOLS NEEDED

- Phillips screwdriver
- 8 mm Socket wrench

REMOVE DOORS

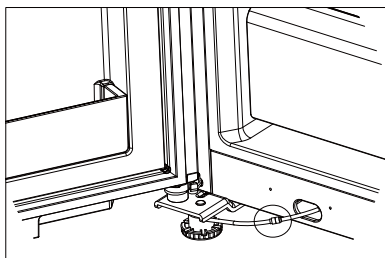
IMPORTANT: Keep the refrigerator doors closed until you are ready to lift them from the cabinet.

1. Remove the Freezer bottom hinge cover screws and hinge cover.

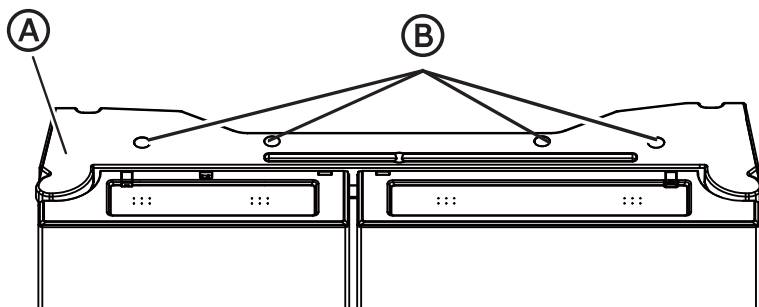


2. Pull out the locking washer from the water pipe connector and the pull out the freezer door water pipe from quick connector.

Note: please be noted the fast connector can't be left at the end of water pipe of door.

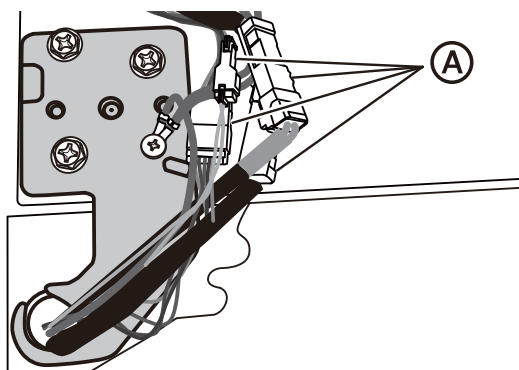


3. Using a Phillips screwdriver, remove the four screws attaching the hinge cover to the top of the cabinet.



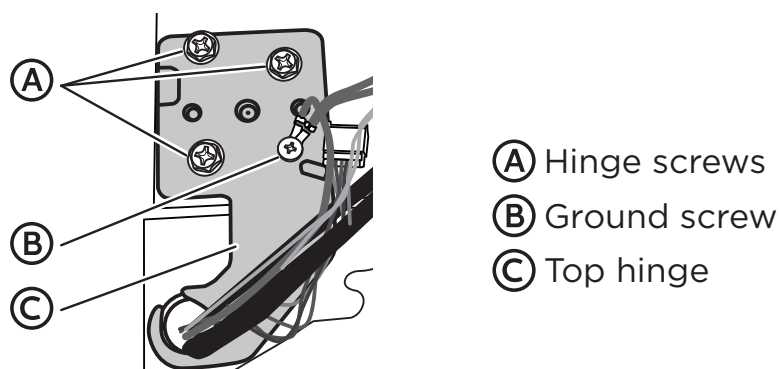
- Ⓐ Hinge cover
- Ⓑ Screws

4. Slowly lift the hinge cover, keeping the wire harnesses attached.
5. Disconnect the wiring harnesses by pressing the release catch on each wire harness connector, and then pulling the ends apart (left-hand door hinge only).



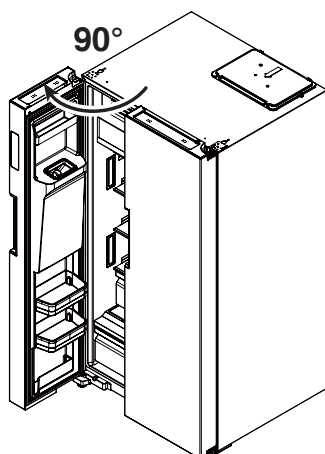
- Ⓐ Wiring harnesses

6. Using an 8 mm socket wrench, remove the three hinge screws.
7. Using a Phillips screwdriver, remove the ground screw (left freezer door).



NOTE: Provide additional support for the door while the hinge is being removed. Do not depend on the door gasket magnets to hold the door in place while you are working.

8. Remove the top left freezer door hinge.
9. Using both hands, slowly swing the door until it is open to a 90° angle to the cabinet, and then lift the door off the bottom hinge. Set the door onto a soft surface to protect the finish.



10. Repeat this procedure to remove the right refrigerator door.

REPLACE DOORS

NOTE: The hinge pin extends from the bottom edge of the door.

1. Insert the hinge pin into the opening in the bottom hinge.
2. Insert the top hinge into the top of the door.
3. Using the hinge screws removed earlier, fasten the top hinge to the top of the cabinet.
4. Replace the ground screw (left door).
5. Reconnect the water tube.
6. Replace the left door following steps 1 through 3.
7. Using the four screws removed earlier, fasten the hinge cover to the top of the cabinet.

CONNECT TO WATER

A cold water supply with water pressure of between 30 and 100 psi (207 and 689 kPa) is required to operate the water dispenser and ice maker. If you have questions about your water pressure, call a licensed, qualified plumber.

IMPORTANT:

- Connect only to a drinking (potable) water supply.
- Plumbing shall be installed in accordance with the International Plumbing Code and any local codes and ordinances.

Connect to Water Line

Gather the required tools and parts before starting installation.

- Flat-blade screwdriver
- ½" Wrench or 2 Adjustable wrenches
- Cordless drill
- ¼" Drill bit
- ¼" Compression nut
- Ferrule (sleeve)

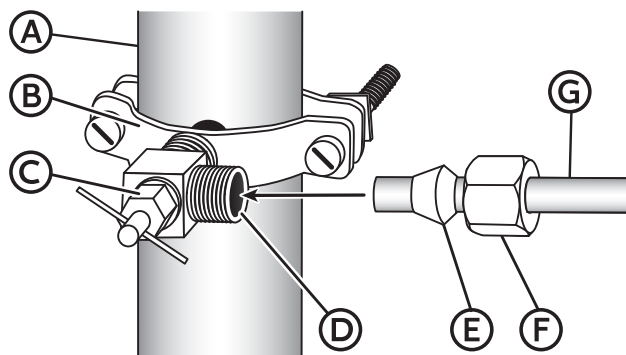
1. Find a ½" to 1¼" (12.7 mm to 31.8 mm) vertical cold water pipe near the refrigerator.

IMPORTANT: Make sure it is a cold water pipe.

NOTE: Horizontal pipe will work; however, you must drill on the top side of the pipe, not the bottom. Drilling on the top side will keep water away from the drill and keep normal sediment from collecting in the valve.

2. Determine the length of copper tubing you need. Measure from the connection on the back of the refrigerator to the water pipe. Add 7 ft (2.1 m) to allow for cleaning. Use ¼" (6.35 mm) O.D. (outside diameter) copper tubing. Be sure both ends of copper tubing are cut square.

- Using a cordless drill, drill a $\frac{1}{4}$ " (6.35 mm) hole in the cold water pipe.
- Fasten the shutoff valve to the cold water pipe with the pipe clamp. Be sure the outlet end is solidly in the $\frac{1}{4}$ " (6.35 mm) drilled hole in the water pipe and that the washer is under the pipe clamp.
- Tighten the packing nut. Tighten the pipe clamp screws slowly and evenly so the washer makes a watertight seal. Do not overtighten.

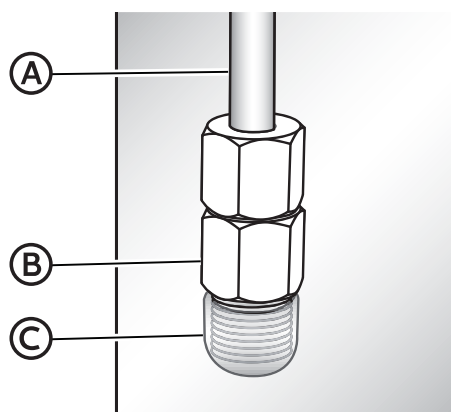


- | | |
|---------------------------|--------------------------------|
| (A) Household supply line | (E) Ferrule (sleeve) |
| (B) Saddle valve | (F) Compression nut |
| (C) Packing nut | (G) $\frac{1}{4}$ " Water line |
| (D) Shutoff valve | |

- Slip the compression sleeve and compression nut on the copper tubing as shown. Insert the end of the tubing into the outlet end squarely as far as it will go. Screw compression nut onto outlet end with adjustable wrench. Do not overtighten or you may crush the water line.
- Place the free end of the tubing in a container or sink, and then turn ON the main water supply. Flush the tubing until water is clear. Turn OFF the shutoff valve on the water pipe.

Connect to Refrigerator

- Unplug refrigerator or disconnect power.
- Close shut-off valve.
- Thread a brass compression nut and ferrule (sleeve) onto the free end of the water line.
- Remove the plastic cap from the end of the refrigerator water line.



- | |
|-----------------------------|
| (A) Refrigerator water line |
| (B) Compression nut |
| (C) Plastic cap |

5. Insert the water line directly into the fitting on the end of the refrigerator water line. Tighten the compression nut. Do not overtighten.
6. Confirm connection is secure by gently pulling on the water line.
7. Turn on the water supply to refrigerator and check for leaks. Correct any leaks.

Complete the Installation

WARNING

Electrical Shock Hazard

- Plug into a grounded 3 prong outlet.
- Do not remove the ground prong from the power cord plug.
- Do not use an adapter.
- Do not use an extension cord.
- Failure to do so can result in death, fire or electrical shock.

1. Plug into a grounded 3 prong outlet.

NOTE: This refrigerator begins operating as soon as it is connected to the power supply.

2. Move the refrigerator into its final location, making sure to maintain the recommended clearance.

MOVE TO FINAL LOCATION

WARNING

Fire or Explosion Hazard

- Do not puncture refrigerant tubing.
- Follow handling instructions carefully.
- Flammable refrigerant used.
- Failure to do so can result in death, explosion or fire.

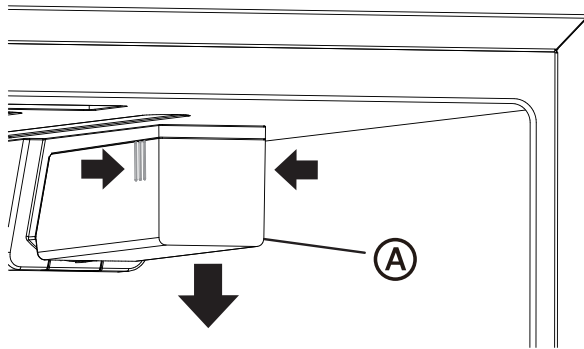
IMPORTANT:

- If the refrigerator has been in a horizontal position for any period of time, wait 24 hours to allow the refrigerant to settle before plugging in the refrigerator.
- When moving the refrigerator, DO NOT tilt it beyond 45° from upright.
NOTE: Tilting the refrigerator more than 45° could damage the compressor and the sealed system.
- Avoid placing excessive stress on the doors or top when moving the refrigerator.

INSTALL WATER FILTER

REMOVE BYPASS PLUG

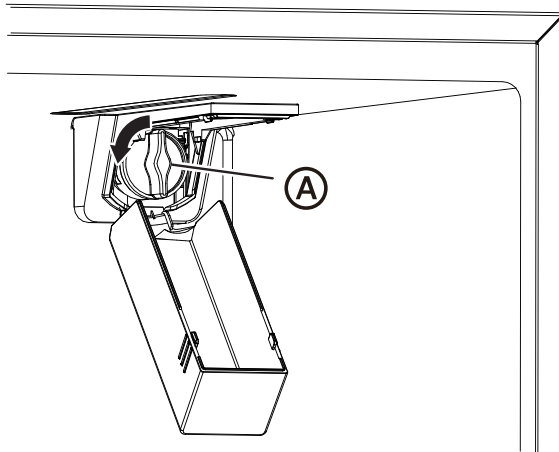
1. Turn off the water supply to refrigerator.
2. Squeeze the sides of the filter cover where marked, and then pull downward to open the cover.



Ⓐ Filter cover

3. Turn the bypass plug counterclockwise, and then pull out to remove.

IMPORTANT: Keep the bypass plug for later use. The ice maker and dispenser will not operate unless either a water filter or the bypass plug is properly installed.

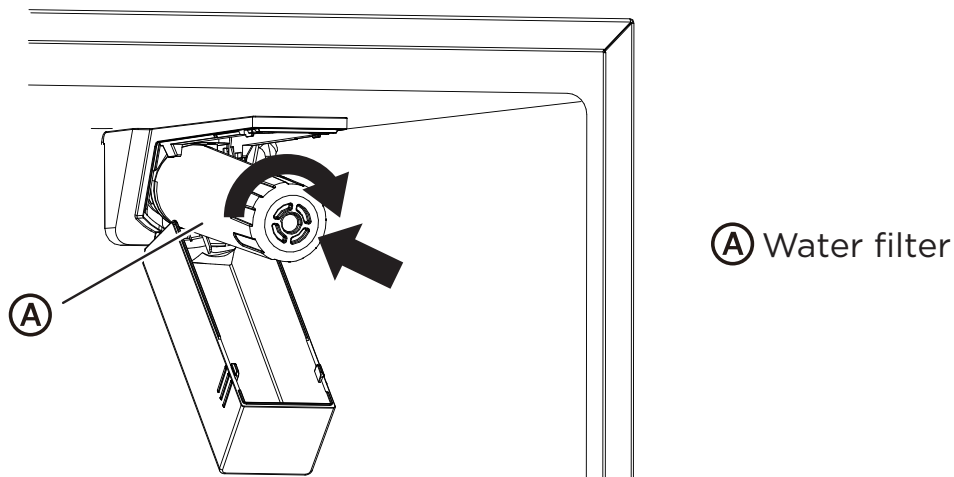


Ⓐ Bypass plug

INSTALL WATER FILTER

4. Remove the water filter from its packaging, and then remove the clear, plastic cap from the filter head.
5. Align the tabs on the filter head with the notches in the opening, and then insert the water filter into the opening. Press inward, while turning the filter clockwise to install.

NOTE: The housing allows the filter to move slightly upward and downward.



6. Turn on the water supply to refrigerator.
7. Close the filter cover.

REPLACE WATER FILTER

The Water Filter icon on the control panel will illuminate after 150+ days to indicate that it is time to order a replacement water filter. After 180+ days the icon will illuminate and flash to indicate it is time to replace the water filter.

1. Turn off the water supply to refrigerator.
2. Turn the water filter counterclockwise, and then pull out to remove.
3. Install a new water filter following steps 4 to 7 in the previous section.
4. Press and hold the Water Filter control for 3 seconds to clear and reset the filter status clock.

NOTE: The light will turn off and 3 beeps will sound.

FLUSH THE WATER SYSTEM

After installing the replacement water filter it is important to flush air from the water line so that water will not drip from the water dispenser.

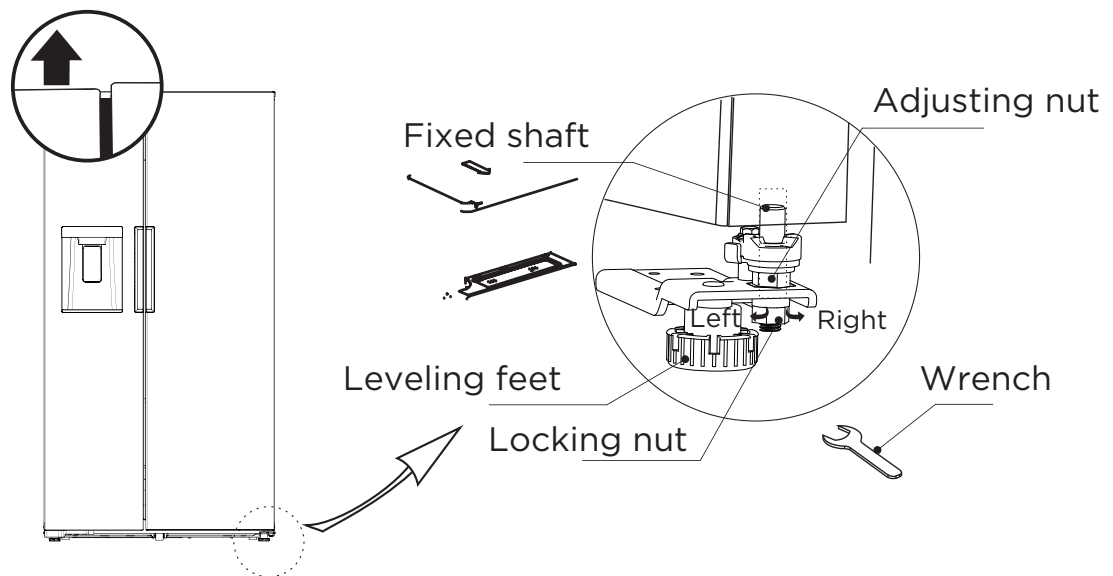
1. Turn on the main water supply.
2. Dispense 2.5 gallons of water (flush for approximately 5 minutes) to remove trapped air and contaminants from the system.

NOTE: Do not dispense the entire 2.5 gallon amount continuously. Depress and release the dispenser pad for cycles of 30 seconds ON and 60 seconds OFF. In some homes, additional flushing may be required.

3. Open the refrigerator door to make sure there are no water leaks coming from the water filter.

DOOR ALIGNMENT (IF NEEDED)

Door alignment or adjustment can be done on side-by-side model refrigerators.



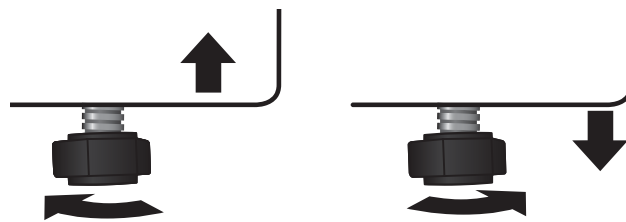
1. Locate the adjusting screws found on the underside of the bottom corner of the refrigerator door.
2. After loosening the locking nut by turning it clockwise, turn the door adjusting screw clockwise to raise the door or counter-clockwise to lower it.
3. After one or two turns of the wrench, open and close the refrigerator door, and check the alignment at the top of the doors.
4. Tighten the locking nut by turning it counter-clockwise.

NOTE: If necessary, repeat the above steps until the doors are aligned.

LEVEL REFRIGERATOR

IMPORTANT: Level the refrigerator for proper operation and to avoid cooling, frost and moisture problems that can occur if the doors do not close completely.

1. Move the refrigerator to its final location. See “Move to Final Location.”
2. Place a carpenter’s level on the top of the cabinet to check that the refrigerator is level from side to side and tilted slightly downward toward the back. If the refrigerator is not level, go to steps 3 and 4 to adjust.
NOTE: The doors will close easier when the front of the refrigerator is slightly higher than the back of the refrigerator.
3. Using two or more people, adjust the leveling feet (one foot located at each of the two front corners of the refrigerator cabinet).
4. With one person pressing against the top front of the refrigerator to take weight off the leveling feet, the other(s) can then turn the leveling feet to adjust the height of each side.
5. Use the carpenter’s level to check the level and tilt.



To Raise - Turn the leveling feet clockwise.

To Lower - Turn the leveling feet counterclockwise.

BEFORE USE

WAITING PERIOD

- Before plugging the refrigerator into a grounded 3-prong electrical outlet, allow it to stand upright for approximately 2 hours.
NOTE: This reduces the possibility of a malfunction in the cooling system caused by improper handling during transportation.
- Allow the refrigerator to cool for 2 to 3 hours before adding food.

CLEANING

1. Wash the refrigerator interior using a soft cloth dampened with a baking soda solution (2 tablespoons baking soda mixed with 1 quart of warm water).
2. Using a soft cloth, thoroughly dry all surfaces.

REFRIGERATOR USE

GENERAL

- The storage life of frozen foods varies and the recommended storage time should not be exceeded.
- Place frozen food into the freezer as quickly as possible after purchase.
- Do not refreeze frozen foods which have thawed completely.

WARNING

Electrical Shock Hazard

- Plug into a grounded 3 prong outlet.
 - Do not remove the ground prong from the power cord plug.
 - Do not use an adapter.
 - Do not use an extension cord.
 - Failure to do so can result in death, fire or electrical shock.
1. Plug refrigerator into a grounded 3 prong outlet.
 2. Wait 30 minutes, and then open the refrigerator door to determine if the refrigerator is cooling.
 3. Load items into the refrigerator and freezer compartments.

ENERGY SAVING TIPS

- Allow hot foods to cool to room temperature before placing them in the freezer. Foods that freeze too slowly may lose quality or spoil.
- Do not overload the refrigerator with a large amount of unfrozen food. Overloading forces the compressor to run longer, which decreases the cooling efficiency of the refrigerator.
- Wrap foods properly and wipe containers dry before placing them in the refrigerator. This decreases frost build-up inside the refrigerator.
- Do not line refrigerator storage shelves with aluminum foil, wax paper or paper toweling. Liners interfere with cold air circulation, making the refrigerator less efficient.
- Organize and label food to reduce the number of door openings, and length of time the door or drawer is open. Remove the items needed at one time, and then close the door as soon as possible.

CONTROLS

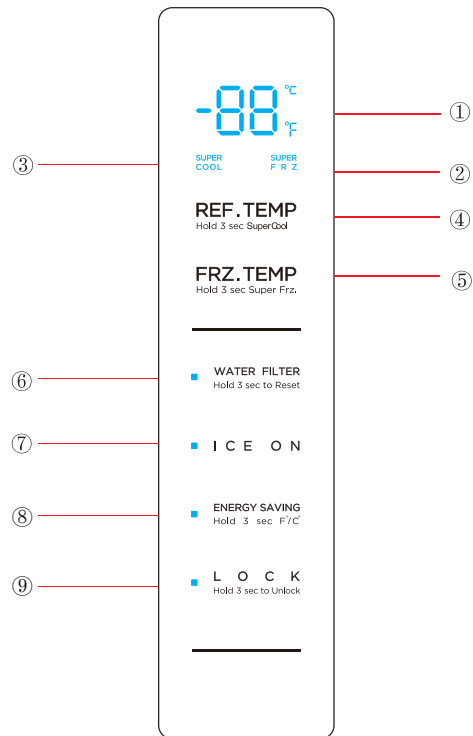
The control panel is located on right side of freezer door.

When the refrigerator is first plugged into the electrical outlet, the display will begin to illuminate and scroll; after which the display icons will fully illuminate for 3 seconds and a tone will sound.

Under normal conditions, if no door is opened or no control is pressed for 30 seconds, the display will turn off and lock.

When the display is not illuminated, press any control to illuminate, and then press and hold **L O C K** for 3 seconds to unlock the control panel.

- ① Temp indicator
- ② Super freezer indicator
- ③ Super cool indicator
- ④ Refrigerator temperature button
- ⑤ Freezer temperature button
- ⑥ Water filter reset indicator and button
- ⑦ Ice maker on/off indicator and button
- ⑧ ENERGY SAVING indicator and button
- ⑨ Lock/unlock indicator and button



(The picture above is only for reference. The actual configuration will depend on the physical product or statement by the distributor)

TEMPERATURE

When the refrigerator is first plugged into a power source, the default temperature settings will be displayed.

The temperature of each compartment is adjustable within its specified range.

Refrigerator Compartment

Default temperature setting: 39°F (4°C).

The temperature range for the refrigerator compartment is 34°F to 44°F (1°C to 7°C).

Freezer Compartment

Default temperature setting: 0°F (-18°C).

The temperature range for the freezer compartment is -7°F to 7°F (-22°C to -14°C).

To adjust the temperature of the refrigerator and/or freezer compartments:

1. Select the compartment by pressing either **REF.TEMP** Hold 3 sec SuperCool or **FRZ.TEMP** Hold 3 sec Super Frz.
2. Press **REF.TEMP** Hold 3 sec SuperCool or **FRZ.TEMP** Hold 3 sec Super Frz. to either raise or lower the temperature in increments of 1° until the desired temperature is reached.

TEMPERATURE UNIT DISPLAY

The compartment temperatures can be viewed in either degrees Fahrenheit (°F) or degrees Celsius (°C).

Press and hold **ENERGY SAVING** Hold 3 sec F/C controls for 3 seconds to change the unit display from degrees Fahrenheit (°F) to degrees Celsius (°C) or vice versa.

LOCK/UNLOCK CONTROLS

To Unlock the Controls:

Press and hold **L O C K** Hold 3 sec to Unlock for 3 seconds. A tone will sound, and the display will illuminate.

To Lock the Controls:

Press and hold **L O C K** Hold 3 sec to Unlock for 3 seconds. A tone will sound, and the display will turn off.


NOTE: After 30 seconds, if no control is pressed, the controls will automatically lock.

SUPER COOL MODE

Press and hold **REF.TEMP** Hold 3 sec SuperCool for 3 seconds to enter Super Cool mode, the temperature in the compartment will lower to 34°F (1°C). 

Press and hold **REF.TEMP** Hold 3 sec SuperCool again for 3 seconds to exit the Super Cool mode. The light will turn off, and the refrigerator compartment temperature will return to the previously set temperature.

SUPER FREEZE MODE

Press and hold **FRZ.TEMP** Hold 3 sec Super Frz. for 3 seconds to enter the Super Freeze mode, the temperature in the compartment will lower to -7°F (-22°C). 

Press and hold **FRZ.TEMP** Hold 3 sec Super Frz. again for 3 seconds to exit the Super Freeze mode. The light will turn off, and the freezer compartment temperature will return to the previously set temperature.

ENERGY SAVING MODE

Press **ENERGY SAVING** Hold 3 sec F/C to enter and exit Energy Saving mode. Energy Saving will illuminate to indicate the mode is activated and turn off when it is not activated.

When Energy Saving mode is activated, the refrigerator compartment temperature is 44°F (7°C) and the freezer compartment temperature is 7°F (-14°C).

When Energy Saving mode is turned off, the refrigerator and freezer compartment temperatures will revert to the previously set temperatures.

NOTE: If a temperature was set to either Super Freeze or Super Cool mode, it will be automatically cancelled.

ICE MAKER

Freezer Ice Maker

Press **ICE ON** to turn ON/OFF the freezer compartment ice maker. When the Freezer ice maker is on, the control will be illuminated.

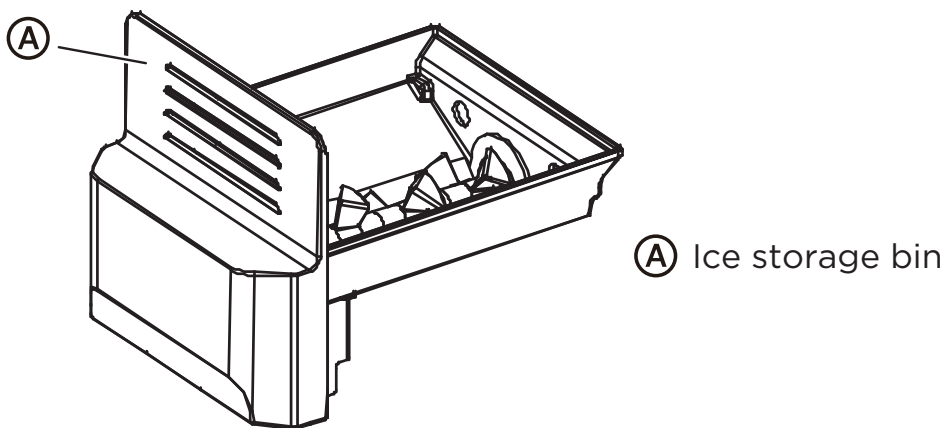
Freezer Ice Bin

The freezer compartment ice bin is removable for cleaning or emptying when a large amount of cubed ice is needed.

After emptying and/or cleaning, replace the ice bin immediately. The ice maker will continue to make ice, and the cubes will drop into the ice making compartment if the ice bin is not properly installed.

To Remove the Ice Bin:

1. Open the freezer door as soon as possible .
2. Grasp the Ice storage bin and pull the bin out of the compartment.



To Replace the Ice Bin:

1. Remove any ice cubes that may have fallen into the ice compartment.
2. Slide the ice bin into the compartment.

DISPENSER

The dispenser control incorporates backlit LED icons to designate the operating mode of the dispenser. There are two display modes that you can choose between, Standby Mode and Active Mode. You can switch the modes by following the instruction in below. As the factory default, the dispense control is in Standby Mode.

In Standby Mode, the dispenser icons are hidden until activated. The icons can be activated by swiping your finger across the control surface. The dispenser icons will turn off after 120 seconds automatically. Standby Mode provides a minimalist look which some users prefer.

In Active Mode, the dispenser icons (Cubed, Water, Crushed) are always on. The control uses brighter LED icon to indicate what dispensing mode is selected.

Switching between Active Mode and Standby Mode: Press and hold WATER and CRUSHED icons for 3 seconds. The dispenser control will flash for 2 seconds, confirming the mode is change

The water and ice dispenser, located on the front of the refrigerator compartment door, dispenses cold water, cubed ice or crushed ice.

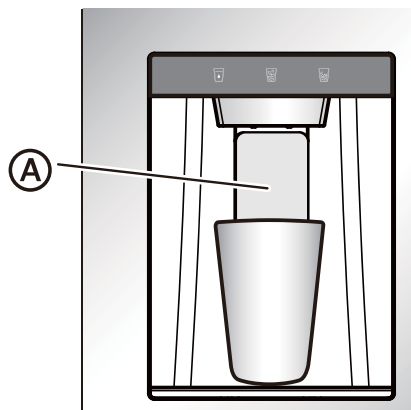


The dispensing function will operate only when the refrigerator door is fully closed.

When the refrigerator is first plugged into an electrical outlet, the dispenser control display will illuminate for 3 seconds. Dispensing water is the default dispensing option.

When the refrigerator is first connected to water, water may not dispense if there is air in the water line.

1. Press the dispenser pad for at least 5 minutes to remove trapped air from the water line and to fill the water system. See “Flush the Water System.”



Ⓐ Dispenser pad


2. Discard the first six full glasses of water to flush out impurities in the water line.

Dispenser Light

Dispenser light turns on when dispensing water and ice. The LED light will turn off after 3 seconds.

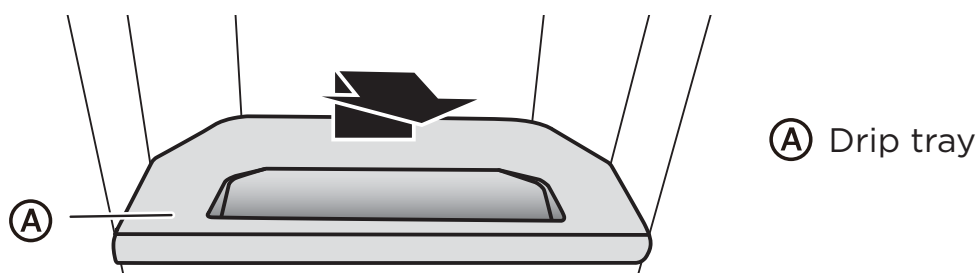
To use as a night light or extend the duration that the dispenser light is on, press and hold Water and Cubed icons together for 3 seconds. The dispenser light will turn off automatically after 12 hours. To turn off, hold the same buttons again for 3 seconds.

Dispensing Crushed Ice

1. Press the Crushed button . The Crushed indicator will illuminate.
2. Using your finger or container, press the pad to dispense crushed ice.
3. Release the dispensing pad to stop dispensing ice.

DRIP TRAY

The drip tray is removable for cleaning.

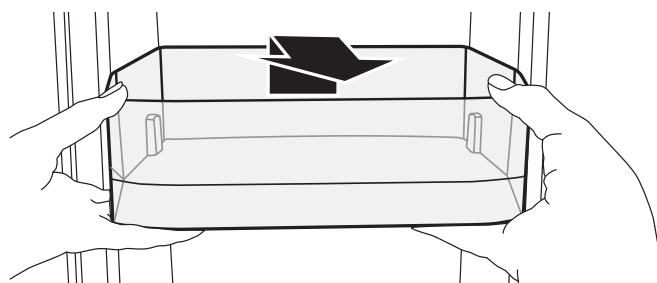


REMOVABLE DOOR BINS

The door bins are removable for easier cleaning.

To Remove:

1. Remove all items from the door bin.
2. Grasp the sides of the bin, lift the bin up and pull it outward.



To Replace:

1. Insert bin into the door liner above the support, and then press downward to engage.

REFRIGERATOR CARE

Both the refrigerator and freezer compartments defrost automatically and require minimal cleaning and maintenance. To keep your refrigerator running efficiently and odor free, we recommend that you wipe up spills immediately and clean the refrigerator regularly.

CLEANING

WARNING

Electrical Shock Hazard

- Unplug your appliance or disconnect power before cleaning.
- Failure to do so can result in death, electric shock or personal injury.

WARNING

Explosion Hazard

- Use nonflammable cleaner.
- Failure to do so can result in death, explosion or fire.

IMPORTANT: To prevent damage to the finish, DO NOT use gasoline, benzene, thinner or other solvents, and DO NOT use abrasive cleaners.

1. Unplug the refrigerator from the electrical outlet.
2. Remove all food.
3. Remove and wash the shelves with a mild detergent solution.

4. Wash the refrigerator interior using a soft cloth dampened with a baking soda solution (2 tablespoons baking soda mixed with 1 quart of warm water).
5. Clean the gasket around the door. Gently wipe the gasket using a soft cloth dampened with a mild detergent solution.
NOTE: Gaskets must be kept clean and pliable to assure a proper seal.
6. Using a soft cloth, thoroughly dry all surfaces.
7. Plug in or reconnect power.

MOVING

IMPORTANT: When moving your refrigerator, DO NOT tilt it beyond 45° from upright.

1. Unplug your refrigerator from the wall outlet.
2. Remove all food.
3. Securely tape down all loose items inside your refrigerator.
4. Tape the door shut.

STORAGE

IMPORTANT: Do not store refrigerator in a location that is accessible to children.

1. Unplug your refrigerator from the electrical outlet.
2. Remove all food.
3. Clean the refrigerator.
4. Leave the door open slightly to avoid possible formation of condensation, mold or odor.

REPLACING LIGHTS

Any replacement or maintenance of the LED lights is intended to be made by the manufacturer, its service agent or similarly qualified person.

TROUBLESHOOTING

IMPORTANT: DO NOT try to repair your refrigerator yourself. Doing so invalidates the warranty.

GENERAL

PROBLEM	POSSIBLE CAUSE	SOLUTION
The refrigerator is not on or is not cooling	The refrigerator is unplugged.	Make sure that the refrigerator power cord is fully plugged into the electrical outlet.
	The fuse on the circuit is blown or the circuit breaker is tripped.	Check the house fuse / circuit breaker box and replace the fuse or reset the circuit breaker.
	Power failure.	If a power failure occurs, the refrigerator turns off. Wait until the power is restored.
	Temperature control is not set to correct temperature.	Adjust the temperature to a lower setting.
	The clearance between the refrigerator and surrounding cabinets or wall is insufficient.	Make sure there is adequate clearance around the refrigerator, and remove all items from the top of the refrigerator to maximize air circulation. See “Location Requirements.”
The refrigerator door does not close completely	Food packages are interfering with the door.	Move or remove some food items.
	The door gaskets are dirty.	Clean the door gaskets.
	The refrigerator may not be level.	Level the refrigerator.
The LED lights do not come on	The refrigerator is unplugged.	Plug refrigerator into a grounded 3 prong outlet.
	LED light is burned out.	Contact a qualified technician to replace the burned out LED.

PROBLEM	POSSIBLE CAUSE	SOLUTION
Food in the refrigerator is not cold	The door has been opened too often or was not closed properly.	Make sure that the door is closed properly.
	A large amount of food was recently added.	Allow time for the recently added food to cool, and then check again.
	The door is not closed completely.	Check the door gasket and food distribution, and make sure that the door closes completely.
	The refrigerator has been disconnected for a period of time.	Allow 4 hours for the refrigerator to cool completely before adding food.
Items in the refrigerator compartment are freezing	The temperature control is set too warm.	Set the temperature control to a colder setting.
	The air vents are blocked.	Place large items on the sides of the top shelf so that they are not blocking the air circulating from the vent in the center.
The refrigerator makes unusual noises or vibrations	The refrigerator may not be level.	Adjust the leveling feet located on the front corners of the refrigerator until the refrigerator is level.
	The refrigerator cabinet is touching a wall.	Move the refrigerator away from the wall.
	Metal parts undergo expansion and contraction.	This is normal.
	Refrigerant is circulating throughout the system.	This is normal.
Moisture is building up in the interior of the refrigerator	The door has been opened too often or was not closed properly.	Make sure that the door is closed properly.
	The refrigerator is located in a humid area.	Move the refrigerator to a drier location.
	The weather is hot and humid.	This is normal.

PROBLEM	POSSIBLE CAUSE	SOLUTION
The compressor turns on and off frequently.	The room temperature is hotter than normal.	This is normal.
	A large amount of food was recently added.	Allow time for the recently added food to cool, and then check again.
	The door is not closed completely or was opened too often.	Check the door gasket and food distribution to make sure the door will close completely.
	The refrigerator has been disconnected for a period of time.	Allow 4 hours for the refrigerator to cool completely before adding food.
Refrigerator has an odor	The temperature control was not set correctly.	Set the temperature control to the correct setting.
	Refrigerator needs cleaning.	Clean the refrigerator. See, "Cleaning."
	Improperly wrapped food is giving off an odor.	Wrap food tightly or seal before storing it in the refrigerator.

ICE AND WATER

PROBLEM	POSSIBLE CAUSE	SOLUTION
<p>The ice maker is not producing ice or is not producing enough ice</p>	The refrigerator is not connected to a water supply or the water supply shutoff valve is not turned on.	Connect refrigerator to water supply and turn water shutoff valve fully open.
	The ice maker(s) are turned off.	Turn on the ice maker(s). See “Controls.”
	The refrigerator has just been installed.	Wait 12 hours after ice maker installation for ice production to begin.
	The ice storage bin is not in place.	Make sure the ice storage bin is correctly installed.
	A large amount of ice was recently removed.	Allow sufficient time for ice maker to produce more ice.
	An ice cube is jammed in the ice maker ejector arm.	Remove ice from the ejector arm with a plastic utensil.
<p>The ice cubes are hollow or small</p> <p>NOTE: This is an indication of low water pressure.</p>	The water shutoff valve is not fully open.	Turn the water shutoff valve fully open.
	There is a kink in the water source line.	A kink in the line can reduce water flow. Straighten the water source line.
	A water filter is installed on the refrigerator.	Remove the water filter and operate the ice maker. If ice volume improves, then the filter may be clogged or incorrectly installed. Replace filter or reinstall it correctly.

PROBLEM	POSSIBLE CAUSE	SOLUTION
The water and ice dispenser do not operate properly	The refrigerator is not connected to a water supply or the water supply shutoff valve is not turned on.	Connect the refrigerator to the water supply and turn the water shutoff valve fully open.
	There is a kink in the water source line.	A kink in the line can reduce water flow. Straighten the water source line.
	Inadequate water pressure to the house.	The water pressure to the house determines the flow from the dispenser. See "Water Supply Requirements."
	A refrigerator door is not closed completely.	Make sure both doors to the refrigerator compartment are completely closed.
	The water filter or bypass plug is not installed properly.	Water cannot be dispensed without a water filter or the bypass plug correctly installed. See "Water Filter."
	Ice is blocking the ice delivery chute.	Remove the ice bin from the upper ice compartment. Check the delivery chute and remove jammed ice using a plastic utensil, if necessary. Clean the ice delivery chute and the ice bin using a warm, damp cloth, and then dry both thoroughly.
	Ice bin is not properly seated in the ice maker compartment.	To avoid ice jams and to maintain a fresh supply of ice, empty the ice bin and clean both the bin and delivery chute regularly. Check the position of the ice bin.

PROBLEM	POSSIBLE CAUSE	SOLUTION
Water is leaking or dripping from the dispenser system NOTE: A few drops of water after dispensing is normal.	<p>The glass was not held under the dispenser long enough.</p> <p>The water filter was recently installed or replaced.</p>	<p>Hold the glass under the dispenser 2 to 3 seconds after releasing the dispenser pad.</p> <p>Flushing the water system removes the air from the lines which causes the water dispenser to drip. Flush the water system. See “Flush the Water System.”</p>
The water from the dispenser tastes bad	<p>Water has not been dispensed recently (approx. 4 days).</p> <p>The water filter needs to be replaced.</p>	<p>Dispense and discard at least 1 gallon of water.</p> <p>Replace the water filter when indicated.</p>
Water from the dispenser is warm	<p>The refrigerator has just been installed.</p> <p>The refrigerator is not connected to a cold water pipe.</p> <p>A large amount of water was recently dispensed.</p> <p>Water has not been recently dispensed.</p>	<p>Allow 24 hours after installation for the water supply to cool completely.</p> <p>Make sure the refrigerator is connected to a cold water pipe.</p> <p>Allow 3 hours for the water supply to cool completely.</p> <p>The first glass of water may not be cool. Discard the first glass of water dispensed.</p>
Water is leaking from the back of the refrigerator	<p>The water line connections were not fully tightened.</p>	<p>See “Connect to Water.”</p>
Water is leaking from the pan under the freezer drawer	<p>The refrigerator is automatically defrosting more frequently.</p> <p>The doors or drawers are not closed completely allowing warm air to enter.</p>	<p>Empty the drip pan. Make sure the refrigerator is not overcrowded and that stored food with a high liquid content, such as soups, are tightly sealed.</p> <p>Make sure all doors and drawers are closed completely.</p>

ERROR CODES

If an error code is displayed on the control panel, contact your place of purchase or Insignia customer service at 1-866-646-4332.

Error Code	Error Description
E0	Ice machine fault
E1	Fault of temperature sensor in refrigerating chamber
E2	Fault of temperature sensor in freezing chamber
E5	Fault of defrosting sensor in freezing chamber
E6	Communication fault of display board of main board
E7	Ambient temperature fault
EH	Temperature sensor fault
EE	Ice machine sensor fault
CA	Communication fault of ice making board of mainboard
EP	Ice making machine off-ice fault

PERFORMANCE DATA SHEET

WATER FILTRATION SYSTEM

MODEL MF-2008-R2 CAPACITY 200 GALLONS (757 LITERS)



System tested and certified by NSF International against NSF/ANSI Standards 42 and 53 for the reduction of contaminants specified on the Performance Data Sheet.

This system has been tested according to NSF/ANSI Standards 42 and 53 for the reduction of the substances listed below. The concentration of the indicated substances in water entering the system was reduced to a concentration less than or equal to the permissible limit for water leaving the system, as specified in NSF/ANSI Standards 42 and 53.

Substance Reduction	Influent challenge concentration (mg/L)	Maximum permissible product water concentration (mg/L)	Avg % Reduction	NSF Reduction Requirements
Chlorine Reduction	2.0 mg/L ± 10%	NA	93.7%	50%
Particulate Reduction, Class I*	≥10000/ml	NA	>99.9%	≥85%
Lead Reduction	0.15mg/L ± 10%	≤0.010	99.60%	NA
Live Cysts†	50000/L	NA	>99.99%	99.95%

Test Parameters: pH = 7.69 ± 0.5 unless otherwise noted. Flow = 0.52 gpm (1.89 Lpm). Pressure = 60 psig (413.7 kPa).

Temp. = 68°F to 71.6°F (20°C to 22°C). Rated service capacity = 200 gallons (757 liters).

- It is important that operational, maintenance, and filter replacement requirements be carried out for the product to perform as advertised. Property damage can occur if all instructions are not followed.
- The disposable cartridge must be changed at least every 6 months.
- Use replacement filter MF-2008-R2.
- The filter monitor system measures the amount of water that passes through the filter and alerts you when it is time to replace the filter. See “Using the Controls.”
- After changing the water filter, flush the water system. See “Dispenser.”
- These contaminants are not necessarily in your water supply. While testing was performed under standard laboratory conditions, actual performance may vary.
- The product is for cold water use only.
- The water system must be installed in compliance with state and local laws and regulations.
- Do not use with water that is microbiologically unsafe or of unknown quality without adequate disinfection before or after the system. Systems certified for cyst reduction may be used on disinfected waters that may contain filterable cysts. EPA Est. No. 10350-MN-005.
- Refer to the “Warranty” section for the Manufacturer’s limited warranty, name and telephone number.

Application Guidelines/ Water Supply Parameters

Water Supply	Potable City or Well
Water Pressure	35 - 120 psi (241 - 827 kPa)
Water Temperature	33° - 100°F (1° - 38°C)
Service Flow Rate	0.52 gpm (1.89 L/min.) @ 60 psi

* Class I particle size: >0.5 to <1 µm.

† Based on the use of *Cryptosporidium parvum* oocysts.

® NSF is a registered trademark of NSF International.

MIDEA REFRIGERATOR LIMITED WARRANTY

ATTACH YOUR RECEIPT HERE. PROOF OF PURCHASE IS REQUIRED TO OBTAIN WARRANTY SERVICE.

Please have the following information available when you call the Customer Service Center:

- Name, address and telephone number
- Model number and serial number
- A clear, detailed description of the problem
- Proof of purchase including dealer or retailer name and address

IF YOU NEED SERVICE:

1. Before contacting us to arrange service, please determine whether your product requires repair. Some questions can be addressed without service. Please take a few minutes to review the Troubleshooting section of the User Manual, or visit <http://us.Midea.com/support>
2. All warranty service is provided exclusively by our authorized Midea Service Providers, in the U.S. and Canada.

Midea Customer Service

In the U.S.A. or Canada, call 1-866-646-4332.

If outside the 50 States of the United States or Canada, contact your authorized Midea dealer to determine whether another warranty applies.

1 YEAR PARTS AND LABOR

WHAT IS COVERED

FIRST YEAR LIMITED WARRANTY (PARTS AND LABOR)

Midea will repair or replace, without charge, any defects due to faulty materials or workmanship for one full year from the date of purchase. For further detail of warranty coverage and warranty repair information, visit www.midea.com or call **1-866-646-4332**.

Consumer will be responsible for:

- Diagnostics, removal, transportation and reinstallation cost required because of service.
- Costs of service calls that are a result of items listed under **NORMAL RESPONSIBILITIES OF THE CONSUMER****

NORMAL RESPONSIBILITIES OF THE CONSUMER**

This warranty applies only to products in ordinary household use, and the consumer is responsible for the items listed below:

1. Proper use of the appliance in accordance with the instructions provided with the product.
2. Routine maintenance and cleaning necessary to keep the good working condition.
3. Proper installation by an authorized service professional in accordance with instructions provided with the appliance and in accordance with all local plumbing, electrical and / or gas codes.
4. Proper connection to a grounded power supply of sufficient voltage, replacement of blown fuses, repair of loosened connections or defects in house wiring.
5. Expenses for making the appliance accessible for servicing.
6. Damages to finish after installation.

YOUR SOLE AND EXCLUSIVE REMEDY UNDER THIS LIMITED WARRANTY SHALL BE PRODUCT REPAIR OR REPLACEMENT AS PROVIDED HEREIN. Service must be provided by a Midea designated service company. This limited warranty is valid only in the 50 States of the United States or Canada and applies only when the major appliance is used in the country in which it was purchased. This limited warranty is effective from the date of original consumer purchase. Proof of original purchase date is required to obtain service under this limited warranty.

WHAT IS NOT COVERED

1. Failure caused by damage to the unit while in your possession (other than damage caused by defect or malfunction), by its improper installation, or by unreasonable use of the product, including without limitation, failure to provide reasonable and necessary maintenance or to follow the written Installation and Instruction Manual.
2. Products purchased “as-is” or refurbished are not covered by this warranty.
3. Food loss caused by refrigerator or freezer failure.
4. Service calls to repair or replace consumables such as water filters, light bulbs, air filters etc., or handles, knobs and other cosmetic parts.
5. Product that has been transferred from its original owner.
6. Interior or exterior rust on the unit.
7. Damages caused by services performed by persons other than authorized Midea servicers; use of parts other than Midea replacement parts; obtained from persons other than such Midea customer service; or external causes such as abuse, misuse, inadequate power supply or acts of God.
8. Service calls resulting from improper installation of your product.
9. Service calls to instruct you on the use of your product.
10. Surcharges including, but not limited to, any after hour, weekend, or holiday service calls, tolls, ferry trip charges, or mileage expense for service calls to remote areas, including the state of Alaska.
11. If the unit is put to commercial, business, rental, or other use or application other than for consumer use, we make no warranties, express or implied, including but not limited to, any implied warranty of merchantability or fitness for particular use or purpose.
12. Product that has been removed outside the USA or Canada.
13. Products without original serial numbers or products that have serial numbers which have been altered or cannot be readily determined.

NOTE: Some states do not allow the exclusion or limitation of incidental or consequential damages. So this limitation or exclusion may not apply to you.

The cost of repair or replacement under these excluded circumstances shall be borne by the customer.

DISCLAIMER OF IMPLIED WARRANTIES

IMPLIED WARRANTIES, INCLUDING ANY IMPLIED WARRANTY OF MERCHANTABILITY OR IMPLIED WARRANTY OF FITNESS FOR A PARTICULAR PURPOSE, ARE LIMITED TO ONE YEAR OR THE SHORTEST PERIOD ALLOWED BY LAW. Some states and provinces do not allow limitations on the duration of implied warranties of merchantability or fitness, so this limitation may not apply to you. This warranty gives you specific legal rights, and you also may have other rights that vary from state to state or province to province.

DISCLAIMER OF REPRESENTATIONS OUTSIDE OF WARRANTY

Midea makes no representations about the quality, durability, or need for service or repair of this major appliance other than the representations contained in this warranty. If you want a longer or more comprehensive warranty than the limited warranty that comes with this major appliance, you should ask Midea or your retailer about buying an extended warranty.

LIMITATION OF REMEDIES; EXCLUSION OF INCIDENTAL AND CONSEQUENTIAL DAMAGES

YOUR SOLE AND EXCLUSIVE REMEDY UNDER THIS LIMITED WARRANTY SHALL BE PRODUCT REPAIR AS PROVIDED HEREIN. MIDEA SHALL NOT BE LIABLE FOR INCIDENTAL OR CONSEQUENTIAL DAMAGES. Some states and provinces do not allow the exclusion or limitation of incidental or consequential damages, so these limitations and exclusions may not apply to you. This warranty gives you specific legal rights, and you also may have other rights that vary from state to state or province to province.

05/19



Réfrigérateur avec congélateur juxtaposé

Alimentation en électricité :
115 V

Fréquence : 60 Hz

Capacité : 26.3 cu. ft.

Avertissement :

Avant d'utiliser ce produit, veuillez lire le présent guide avec soin et le conserver aux fins de consultation ultérieure. Le concept et les spécifications peuvent changer sans préavis à titre d'amélioration de produit. Consultez votre concessionnaire ou fabricant pour obtenir des précisions.

version A - 10 - 2020

GUIDE DE L'UTILISATEUR



**Extension gratuite
de 3 mois** de la période
de garantie limitée initiale!*
Envoyez simplement une
photo de votre preuve d'achat
par message texte au :

1-844-224-1614

*L'extension de garantie porte sur
les trois mois suivant immédiatement
la fin de la période de garantie
initiale du produit.

MODÈLE NUMÉRO MRS26D5AST
www.midea.com

Cher utilisateur

MERCI et **FÉLICITATIONS** de votre achat de ce produit Midea de première qualité. Votre réfrigérateur Midea est conçu pour des performances fiables et sans problèmes. Veuillez prendre quelques instants pour enregistrer votre nouveau réfrigérateur.

Enregistrez votre nouveau réfrigérateur sur www.midea.com à l'onglet **Support [Soutien]**.

Pour référence ultérieure, prenez note des numéros de modèle et de série qui sont indiqués à l'arrière du réfrigérateur, au-dessus du compartiment du compresseur.

Numéro de modèle _____

Numéro de série _____

SÉCURITÉ DU RÉFRIGÉRATEUR	3
EXIGENCES DE FONCTIONNEMENT	7
Exigences en matière d'emplacement	7
Exigences électriques	8
Exigences relatives à l'alimentation en eau.....	9
COMPOSANTES ET CARACTÉRISTIQUES	10
INSTALLATION.....	11
Déballage.....	11
Dépose des portes (au besoin seulement).....	11
Raccordement à l'eau	14
Déplacez à sa destination finale	17
Installation du filtre à eau.....	18
Aligner les portes (au besoin).....	20
Mettez le réfrigérateur de niveau.....	20
AVANT L'UTILISATION.....	21
Période d'attente.....	21
Nettoyage.....	21
UTILISATION DU RÉFRIGÉRATEUR	22
Généralités	22
Commandes.....	23
Machine à glaçons.....	26
Modes du panneau de commande du distributeur.....	26

Bac de récupération.....	28
ENTRETIEN DU RÉFRIGÉRATEUR.....	29
Nettoyage.....	29
Déplacement.....	30
Emplacement.....	30
Remplacement des ampoules.....	30
DÉPANNAGE.....	31
Généralités.....	31
Glaçons et eau.....	34
Codes d'erreur.....	37
FEUILLE DE DONNÉES SUR LA PERFORMANCE.....	38
GARANTIE.....	39

SÉCURITÉ DU RÉFRIGÉRATEUR

VOTRE SÉCURITÉ PERSONNELLE ET CELLE DES AUTRES PERSONNES SONT D'UNE IMPORTANCE CAPITALE

Pour éviter toutes blessures de l'utilisateur ou d'autres personnes et tous dommages matériels, il est impératif de suivre les instructions dans le présent guide. Une utilisation incorrecte de l'appareil en raison du non-respect des instructions peut causer des blessures ou des dommages, et même la mort.

Les indications suivantes illustrent le niveau de risque.



Ce symbole signale la possibilité de mort ou de blessure grave.



Ce symbole signale la possibilité de blessure ou de dommages matériels.



Ce symbole signale la possibilité d'une tension dangereuse constituant un risque de choc électrique susceptible d'entraîner la mort ou une blessure grave.

CONSIGNES DE SÉCURITÉ IMPORTANTES

AVERTISSEMENT

SÉCURITÉ EN MATIÈRE D'ÉLECTROMÉNAGERS

- Lisez tous les avertissements en matière de sécurité, les directives et les spécifications fournies avec cet appareil. Le défaut de lire toutes les directives pourrait entraîner une décharge électrique, un incendie et/ou une blessure grave.
- Conservez tous les avertissements et les directives pour référence future.

SÉCURITÉ ÉLECTRIQUE

- Branchez dans une prise à 3 fiches mise à la terre.
- Ne retirez pas la fiche de mise à la terre.
- N'utilisez pas d'adaptateur.
- Débranchez le cordon d'alimentation en tenant la prise, jamais en tirant sur le cordon.
- Ne jamais activer ou désactiver l'appareil en branchant ou en débranchant le cordon d'alimentation.
- Ne jamais utiliser de rallonge.
- Débranchez le réfrigérateur avant de le nettoyer ou de le dégivrer.

REMARQUE : La mise hors tension du réfrigérateur ne peut pas être effectuée à partir du panneau de commande.

Exigences de mise à la masse

- Ce réfrigérateur doit être mis à la masse. Ce réfrigérateur est doté d'une fiche de mise à la masse. La fiche doit être insérée dans une prise qui a été installée et mise à la masse de façon appropriée.
- L'utilisation inappropriée de la fiche de mise à la masse peut provoquer une décharge électrique. Consultez un électricien certifié ou un préposé à l'entretien si vous ne comprenez pas les directives de mise à la masse ou si vous croyez que le réfrigérateur ne fait pas l'objet d'une mise à la masse appropriée.

SÉCURITÉ DE L'EMPLACEMENT

- Ce réfrigérateur a été conçu pour une utilisation résidentielle ou l'équivalent.
- Installez-le en respectant les consignes du fabricant.
- Le réfrigérateur ne doit pas être encastré dans un endroit restreignant. Il est conçu pour se retrouver à aire ouverte seulement.
AVERTISSEMENT — Gardez les ouvertures de ventilation du réfrigérateur à l'écart des obstructions.

- Lors du déplacement du réfrigérateur, veiller à ne pas rouler sur le cordon d'alimentation ou l'endommager.
- Ne jamais installer près d'une source de chaleur comme une plinthe, un radiateur, un poêle ou autre appareil de cuisson ou en plein soleil.
- Tenir les matériaux et vapeurs inflammables, comme l'essence, éloignés du réfrigérateur.

SÉCURITÉ – UTILISATION ET SOINS

- Fluide frigorigène inflammable utilisé. Suivez attentivement les directives de maintenance. Risque d'incendie ou d'explosion si le tube de fluide frigorigène est perforé.
- Fluide frigorigène inflammable utilisé. N'utilisez pas de dispositif mécanique pour dégivrer le congélateur. Ne percez pas le tube du fluide frigorigène.
- Ne jamais remiser ou utiliser d'essence ou autres liquides inflammables près de ce réfrigérateur.
- Deux personnes ou plus sont nécessaires pour déplacer ou installer le réfrigérateur.
- Raccorder le réfrigérateur à une source d'alimentation en eau potable pour la machine à glaçons et le distributeur d'eau.
- Cet appareil n'est pas destiné à des personnes (y compris des enfants) à capacités réduites, tant physiques que sensorielles ou mentales, ou qui n'ont aucune expérience ou connaissance, à moins d'être sous la supervision ou d'avoir obtenu des directives d'une personne responsable et qualifiée.
- Les enfants doivent faire l'objet d'une supervision afin de s'assurer qu'ils ne tentent PAS de jouer avec l'appareil.
- Garder les doigts éloignés des zones avec "points de pincement". Les dégagements entre les portes et entre les portes et la caisse sont forcément petits. Attention lors de la fermeture des portes si des enfants se trouvent à proximité.
- Ne pas utiliser d'appareils électriques à l'intérieur des compartiments de l'appareil destinés aux denrées alimentaires, à moins qu'ils ne soient du type recommandé par le fabricant.
- NE JAMAIS toucher à l'intérieur du congélateur alors que vos mains sont mouillées. Ceci pourrait provoquer une engelure.
- Utilisez un nettoyant non inflammable. Nettoyez uniquement avec un linge humide.
- Pour tous les réfrigérateurs dotés d'une machine à glaçons, éviter tout contact avec les pièces mobiles du mécanisme d'éjection ou avec l'élément chauffant qui libère les glaçons. Ne pas mettre les doigts ou les mains sur le mécanisme de fabrication de glaçons lorsque le réfrigérateur est branché.
- Ne pas utiliser d'appareils électriques sur le dessus du réfrigérateur, à moins qu'ils ne soient du type recommandé par le fabricant.

- Ne pas placer d'objets lourds sur le dessus du réfrigérateur, sachant que ces objets peuvent tomber lorsque les portes sont ouvertes ou fermées.
- Ne pas stocker de bières, boissons ou autres liquides contenus dans des bouteilles ni de contenants fermés dans le congélateur. Les bouteilles et les contenants peuvent se briser en raison de la congélation.

SÉCURITÉ – ENTRETIEN

- Débranchez l'appareil avant d'effectuer l'entretien.
- Fluide frigorigène inflammable utilisé. Doit être réparé uniquement par une personne formée. Ne perforez PAS le tube du fluide frigorigène.
- Faites appel à une personne d'entretien qualifiée. Ne réparez pas ou ne remplacez pas de pièces sur cet appareil à moins qu'il ne le soit recommandé dans le manuel. L'appareil doit faire l'objet d'un entretien s'il a été endommagé au niveau du cordon d'alimentation ou de la fiche, si le fluide s'est échappé ou si des objets sont tombés dans l'appareil, ou encore si ce dernier a été exposé à la pluie ou à l'humidité, ne fonctionne pas normalement ou a fait l'objet d'une chute.
- Si le cordon d'alimentation est endommagé, il doit être remplacé par le fabricant, l'agent responsable de son entretien, ou toute autre personne qualifiée, afin d'éviter tout danger.
- Si un composant est endommagé, il doit être remplacé par le fabricant, l'agent responsable de son entretien, ou toute autre personne qualifiée, afin d'éviter tout danger.
- Remplacez toutes les pièces et les panneaux avant de faire fonctionner.

CONSERVER CES CONSIGNES

CET APPAREIL EST UNIQUEMENT DESTINÉ À UN USAGE DOMESTIQUE

Avertissement - Proposition 65 de l'État de Californie:



AVERTISSEMENT : Cancer et effets nocifs sur la reproduction
-www.P65Warnings.ca.gov.

MISE AU REBUT APPROPRIÉE

AVERTISSEMENT

Dangers de suffocation

Avant de mettre au rebut votre ancien réfrigérateur :

- Déposez les portes et les tiroirs de sorte que les enfants ne puissent se cacher ou s'emprisonner dans l'ancien appareil.
- Laissez les étagères en place, faisant en sorte que les enfants ne puissent y pénétrer.
- Le défaut de respecter ces directives peut entraîner la mort ou des dommages au cerveau.

IMPORTANT : Le réfrigérant et la mousse de cyclopentane utilisés pour l'appareil sont inflammables. Il en revient au consommateur de respecter les règlements fédéraux et municipaux lors de la mise au rebut de ce produit. Les fluides frigorigènes doivent être évacués par un technicien certifié et agréé de l'E A en matière de fluide frigorigène, selon les procédures établies.

EXIGENCES DE FONCTIONNEMENT

EXIGENCES EN MATIÈRE D'EMPLACEMENT

AVERTISSEMENT

Danger d'explosion et d'incendie

- Gardez les matériaux et vapeurs inflammables, comme de l'essence, à l'écart de cet appareil.
- Le non-respect de cette directive peut entraîner la mort, une explosion ou un incendie.

Le réfrigérateur est conçu pour se retrouver à aire ouverte et ne doit pas être encastré.

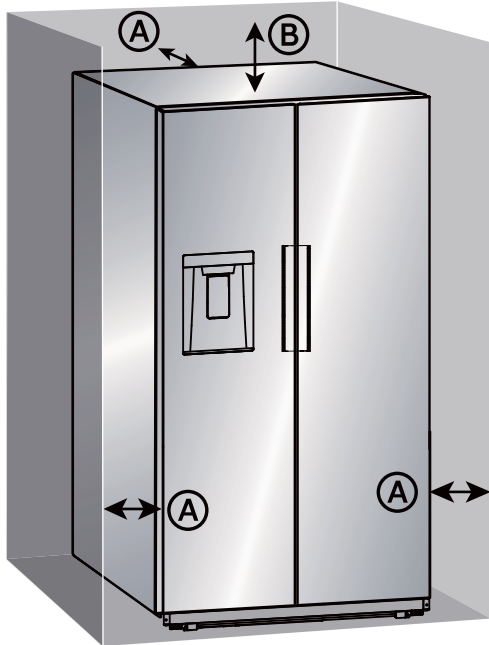
- Placez votre appareil sur un plancher de niveau, capable de supporter le réfrigérateur lorsqu'il est rempli.
- Placez votre réfrigérateur près d'une fiche électrique décrite dans les directives. Consultez "Exigences électriques."
- Placez le réfrigérateur à l'écart du soleil et autre source de chaleur, comme un poêle, un radiateur ou une plinthe.

REMARQUES :

- Le plein soleil peut endommager le revêtement en acrylique et les sources de chaleur peuvent augmenter la consommation électrique.
- Les températures extrêmement froides peuvent également affecter le fonctionnement du réfrigérateur.

- Évitez de placer le réfrigérateur dans un endroit à humidité élevée.
- On doit y retrouver une circulation d'air adéquate pour assurer un fonctionnement optimal. Respectez le dégagement recommandé pour assurer une circulation d'air appropriée.

DÉGAGEMENT RECOMMANDÉ



- Ⓐ Arrière et côtés : 3" (7.6 cm)
- Ⓑ Dessus : 3" (7.6 cm)

REMARQUE : Si vous placez le réfrigérateur près d'un mur fixe, laissez un espace suffisant du côté des charnières pour permettre l'ouverture de la porte.

EXIGENCES ÉLECTRIQUES

⚠ AVERTISSEMENT

Risque de choc électrique

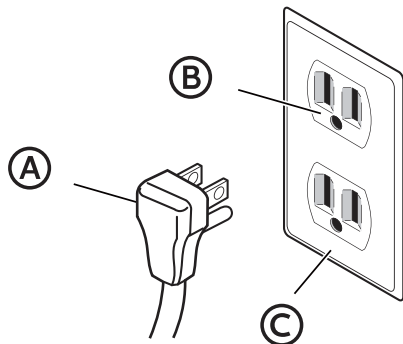
- Branchez dans une prise à 3 fiches mise à la masse.
- Ne retirez pas la fiche de mise à la masse sur le cordon d'alimentation.
- N'utilisez pas d'adaptateur.
- N'utilisez pas de rallonge.
- Le non-respect de cette directive peut entraîner la mort, un incendie ou une décharge électrique.

IMPORTANT : Utilisez un fusible 115 V, 60 Hz, c.a., 15 A comme source électrique mise à la masse.

- Utilisez une prise électrique compatible avec une fiche de mise à la masse.

REMARQUE : Le cordon d'alimentation est doté d'une prise à 3 fiches (mise à la masse) qui est compatible à toute prise électrique standard à 3 fiches.

- Nous recommandons que le réfrigérateur soit branché dans un circuit électrique réservé **UNIQUEMENT** pour cet appareil.
- Utilisez une prise électrique qui ne peut être fermée par un interrupteur ou une chaînette à tirer.
- **NE JAMAIS** utiliser de rallonge.



- Ⓐ Prise à 3 fiche
- Ⓑ Prise de charge à 3 fiche
- Ⓒ Couvercle de boîtier de prise de charge

EXIGENCES RELATIVES À L'ALIMENTATION EN EAU

Une alimentation en eau froide avec une pression comprise entre 30 et 100 lb/po² (207 et 689 kPa) est nécessaire pour faire fonctionner le distributeur d'eau et la machine à glaçons. En cas de questions sur la pression de l'eau, contacter un plombier qualifié agréé

IMPORTANT : Un fonctionnement en dehors de la plage de pressions de l'eau recommandée peut donner lieu à des défaillances et des fuites d'eau importantes pouvant provoquer des dégâts.

REMARQUE : Si la pression de l'eau est inférieure aux exigences, le débit de l'eau sortant du distributeur pourrait diminuer ou les glaçons pourraient être creux ou de forme irrégulière.

Alimentation en eau par osmose inverse (le cas échéant)

IMPORTANT : La pression de l'alimentation en eau entre le système d'osmose inverse et la vanne d'arrivée d'eau du réfrigérateur doit être comprise entre 30 et 100 lb/po² (207 et 689 kPa).

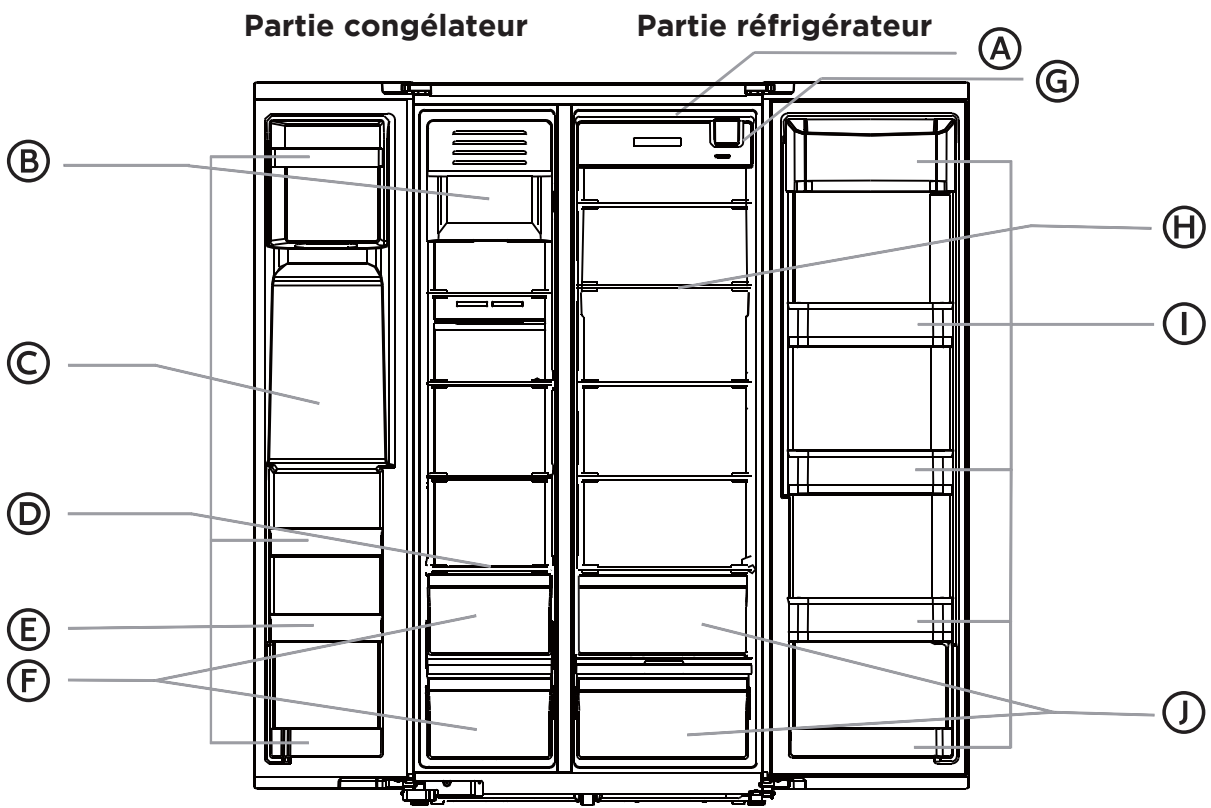
Si la pression d'eau est trop basse :

Vérifier pour voir si le filtre à sédiments du système d'osmose inverse est obstrué. Remplacer le filtre au besoin.

Après chaque utilisation, laisser le réservoir du système d'osmose inverse se remplir. La capacité du réservoir ne devrait pas être trop petite afin de satisfaire aux exigences du réfrigérateur.

Si le réfrigérateur est doté d'un filtre à eau, ce dernier peut alors réduire la pression de l'eau lorsqu'il est utilisé avec un système d'osmose inverse. Retirer le filtre à eau.

COMPOSANTES ET CARACTÉRISTIQUES



- | | | |
|----------------------------|---------------------|---------------------|
| Ⓐ Témoin lumineux à DEL | Ⓓ Tablette en verre | Ⓒ Filtre à eau |
| Ⓑ Bac à glaçons | Ⓔ Panier de porte | Ⓗ Tablette en verre |
| Ⓒ Distributeur eau/glaçons | Ⓕ Bac à légumes | Ⓘ Panier de porte |
| | | ⓵ Bac à légumes |

Sécurité du Réfrigérateur

Exigences de Fonctionnement

Composantes et Caractéristiques

Installation

Avant l'utilisation

Utilisation du Réfrigérateur

Entretien du Réfrigérateur

Dépannage

SPECIFICATIONS

Dimensions (LxPxH) :	35,8 po x 33,9 po x 69,9 po (91 x 86 x 178 cm)
Largeur avec porte ouverte à 90°	40,9 po (104 cm)
Largeur avec porte ouverte à 135°	61,4 po (156 cm)
Poids	284 lbs. (129 kg)
Exigences d'alimentation	115 V ~ 60 Hz, 15A minimum requis
Longueur de cordon d'alimentation	66.9 po (170 cm)

INSTALLATION

DÉBALLAGE

AVERTISSEMENT

Incendie ou Risque d'explosion

- Ne percez pas le tube du fluide frigorigère.
- Suivez attentivement les directives de manutention.
- Fluide frigorigère inflammable utilisé
- Le non-respect de cette directive peut entraîner la mort, une explosion ou un incendie.

IMPORTANT : Retirez TOUT le matériel d'emballage extérieur et intérieur, y compris l'emballage en mousse situé entre le condenseur extérieur et le réfrigérateur.

DÉPOSE DES PORTES (AU BESOIN SEULEMENT)

Mesurer le réfrigérateur pour s'assurer qu'il passera dans l'ouverture de la porte. Si le réfrigérateur ne passe pas facilement dans l'ouverture de la porte, suivre les instructions pour retirer les deux portes du compartiment de réfrigération et les panneaux avant des tiroirs du congélateur et du tiroir avec choix de températures pré-réglées.

WARNING

Electrical Shock Hazard

- Débrancher l'appareil avant de retirer les portes.
- Rebrancher le fil de mise à terre avant utilisation.
- Le non-respect de ces instructions peut entraîner un décès ou un choc électrique.

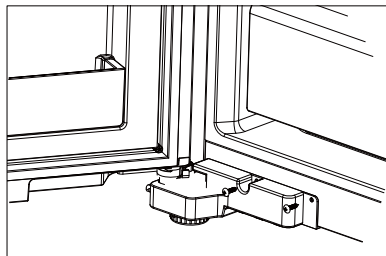
OUTILS NÉCESSAIRES

- Tournevis Phillips
- Clé à douille de 8 mm

RETIRER LES PORTES

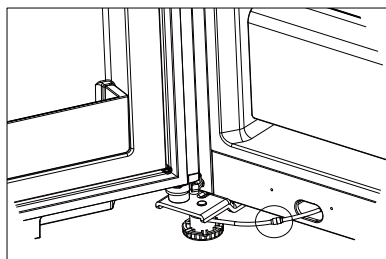
IMPORTANT : Gardez les portes du réfrigérateur fermées jusqu'à ce que vous soyez prêt à les retirer du réfrigérateur.

1. Retirez les vis du couvercle de la charnière inférieure du congélateur et le couvercle de la charnière.

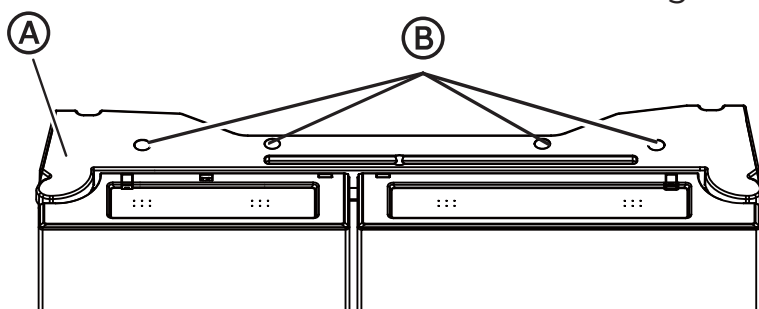


2. Retirez la rondelle frein du raccord du tuyau d'eau et tirez, puis retirez le tuyau d'eau de la porte du congélateur du raccord rapide.

Remarque : veuillez noter que le raccord rapide ne peut pas être laissé à l'extrémité du tuyau d'eau de la porte.

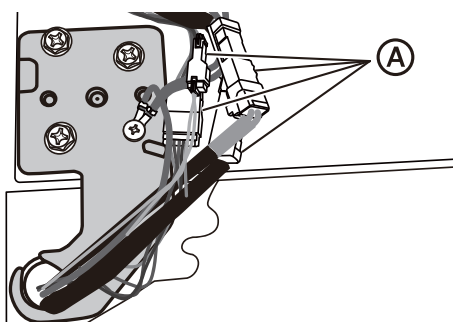


3. À l'aide d'un tournevis à pointe cruciforme, retirez les quatre vis fixant le couvercle de charnière au haut du réfrigérateur.



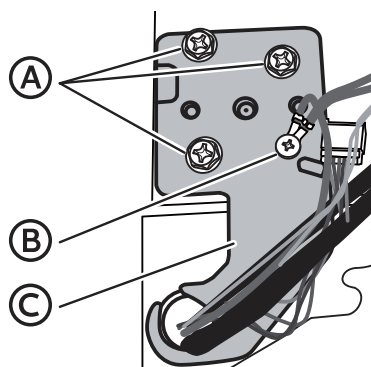
- Ⓐ Couvercle de charnière
- Ⓑ Vis

4. Soulevez lentement le couvercle de charnière, en gardant les faisceaux de fils attachés.
5. Débranchez les sept faisceaux de câblage en appuyant sur le loquet de déverrouillage de chaque connecteur de faisceau de câblage, puis en tirant sur les extrémités (charnière de porte gauche seulement).



- Ⓐ Faisceaux de câblage

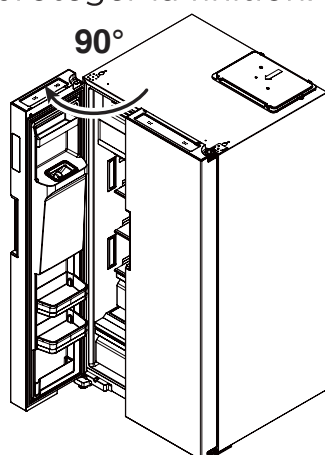
6. À l'aide d'une clé à douille de 8 mm, retirez les trois vis de charnière.
7. À l'aide d'un tournevis à pointe cruciforme, retirez la vis de mise à la terre (porte gauche du congélateur).



- (A) Vis de charnière
- (B) Vis de mise à la terre
- (C) Charnière supérieure

REMARQUE : Fournissez un appui supplémentaire pour la porte pendant le retrait de la charnière. Ne vous fiez pas aux aimants du joint de porte pour maintenir la porte en place pendant que vous travaillez.

8. Retirez la charnière supérieure gauche de la porte du congélateur.
9. À l'aide de vos deux mains, balancez lentement la porte jusqu'à ce qu'elle ouvre à un angle de 90° par rapport au réfrigérateur, puis soulevez la porte de la charnière inférieure. Placez la porte sur une surface douce pour protéger la finition.



10. Répétez cette procédure pour retirer la porte droite du réfrigérateur.

REMETTRE LES PORTES

REMARQUE : L'axe de charnière s'étend à partir du bord inférieur de la porte.

1. Insérez l'axe de charnière dans l'ouverture de la charnière inférieure.
2. Insérez la charnière supérieure dans le haut de la porte.
3. Fixez la charnière supérieure sur le dessus du réfrigérateur à l'aide des vis de charnière retirées précédemment.
4. Remettez la vis de mise à la terre (porte de gauche).
5. Reconnectez le tuyau d'eau.
6. Remplacez la porte gauche en suivant les étapes 1 à 3.
7. Fixez le couvercle de charnière sur le dessus du réfrigérateur à l'aide des quatre vis retirées précédemment.

RACCORDEMENT À L'EAU

Une alimentation en eau froide, avec une pression comprise entre 30 et 100 lb/po² (207 et 689 kPa) est requise pour faire fonctionner le distributeur et la machine à glaçons. En cas de questions sur la pression de l'eau, contacter un plombier qualifié agréé

IMPORTANT :

- Ne raccorder l'appareil qu'à une source d'alimentation en eau potable.
- Plumbing shall be installed in accordance with the International Plumbing Code and any local codes and ordinances.

Raccordement à la canalisation d'eau

Rassembler tous les outils et pièces requis avant de commencer l'installation.

- Tournevis à lame plate
- Clé de ½ po ou 2 clés à molette
- Perceuse sans fi
- Mèche de ¼ po
- Écrou à compression de ¼ po
- Bague d'extrémité

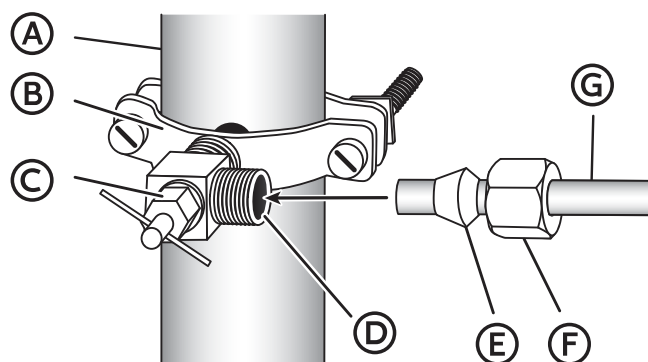
1. Trouver une canalisation d'eau froide verticale de ½ po à 1¼ po (12,7 mm à 31,8 mm) près du réfrigérateur.

IMPORTANT : S'assurer qu'il s'agit d'un conduit d'eau froide.

REMARQUE : Un conduit horizontal fonctionnera, mais le procédé suivant doit être suivi : percer par le dessus de la canalisation et non pas par le dessous. Ainsi, l'eau ne risquera pas d'arroser la perceuse. Ceci empêche également que les sédiments qu'on trouve normalement dans l'eau ne s'accumulent dans le robinet.

2. Déterminer la longueur de tube en cuivre nécessaire. Il faut mesurer la distance entre l'arrière du réfrigérateur et la canalisation. Ajouter une longueur de 7 pi pour permettre le déplacement du réfrigérateur pour le nettoyage. Utiliser un tuyau en cuivre de ¼ po (6,35 mm) de diamètre extérieur. Veiller à ce que le tube soit coupé d'équerre aux deux extrémités.

3. À l'aide d'une perceuse sans fil, pe cer un trou de ¼ po (6,35 mm) dans le tuyau de canalisation d'eau froide.
4. Fixer le robinet d'arrêt sur la canalisation d'eau froide avec la bride de tuyau. Vérifier que le accord du robinet est bien engagé dans le trou de ¼ po percé dans la canalisation et que la rondelle d'étanchéité est placée sous la bride de tuyau.
5. Serrer l'écrou de serrage. Serrer lentement et uniformément les vis de la bride de tuyau afin que la rondelle forme une jonction étanche. Ne pas serrer de manière excessive.



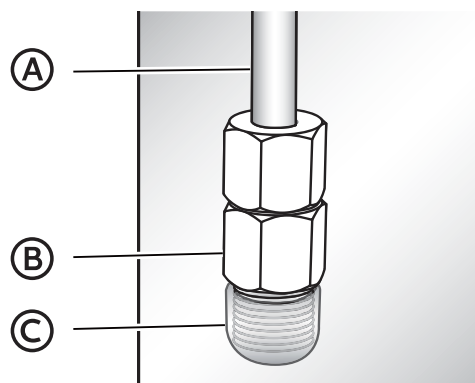
- | | |
|--|--------------------------------|
| (A) Conduite d'alimentation domestique | (E) Bague d'extrémité |
| (B) Valve de selle | (F) Écrou à compression |
| (C) Écrou de serrage | (G) Canalisation d'eau de ¼ po |
| (D) Robinet d'arrêt | |

6. Enfiler l'écrou et la bague à compression du raccord sur le tube en cuivre comme illustré. Insérer l'extrémité du tube aussi loin que possible dans l'ouverture de sortie du robinet. Visser l'écrou à compression sur le raccord de sortie à l'aide d'une clé à molette. Ne pas serrer excessivement car ceci pourrait provoquer l'écrasement du tube de la canalisation d'eau.
7. Placer le bout libre du tube dans un contenant ou évier et OUVRIRE le robinet principal d'arrivée d'eau. Laisser l'eau s'écouler par le tube jusqu'à ce que l'eau soit limpide. FERMER le robinet d'arrivée d'eau sur la canalisation.

Raccordement au réfrigérateur

1. Débrancher le réfrigérateur ou déconnecter la source de courant électrique.
2. Fermer le robinet d'arrivée d'eau.
3. Visser un écrou à compression en laiton et une bague d'extrémité sur l'extrémité libre du tuyau d'alimentation en eau.

4. Retirer le capuchon en plastique de l'extrémité du tuyau d'alimentation en eau du réfrigérateur.



- Ⓐ Tuyau d'alimentation en eau du réfrigérateur
Ⓑ Écrou à compression
Ⓒ Capuchon en plastique

5. Insérer le tuyau d'alimentation en eau directement dans le raccord, à l'extrémité du tuyau d'alimentation en eau du réfrigérateur. Serrer l'écrou à compression. Ne pas serrer de manière excessive.
6. Vérifier la solidité du raccordement en tirant délicatement sur le tuyau d'alimentation en eau.
7. Ouvrir l'arrivée d'eau au réfrigérateur et vérifier s'il y a des fuites. Corriger toute fuite.

Achever l'installation

AVERTISSEMENT

Risque de choc électrique

- Branchez dans une prise à 3 fiches mise à la masse.
- Ne retirez pas la fiche de mise à la masse sur le cordon d'alimentation.
- N'utilisez pas d'adaptateur.
- N'utilisez pas de rallonge.
- Le non-respect de cette directive peut entraîner la mort, un incendie ou une décharge électrique.

1. Branchez dans une prise à 3 fiches mise à la masse.

REMARQUE : Le réfrigérateur commence à fonctionner dès qu'il est branché à la source d'alimentation électrique.

2. Déplacer le réfrigérateur à son emplacement définitif, en s'assurant de respecter les dégagements recommandés.

DÉPLACEZ À SA DESTINATION FINALE

AVERTISSEMENT

Incendie ou Risque d'explosion

- Ne percez pas le tube du fluide frigorigène .
- Suivez attentivement les directives de manutention.
- Fluide frigorigène inflammable utilisé
- Le non-respect de cette directive peut entraîner la mort, une explosion ou un incendie.

IMPORTANT :

- Si le réfrigérateur se trouvait à l'horizontale pendant une certaine période, attendez 24 heures avant de brancher le réfrigérateur pour laisser le fluide frigorigène reprendre sa place.
- En déplaçant le réfrigérateur, n'inclinez PAS ce dernier plus de 45° de la position verticale.

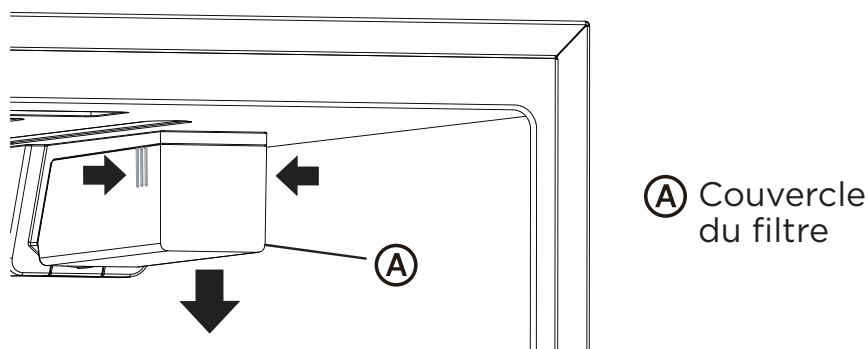
REMARQUE : Ce faisant, vous pourriez endommager le compresseur et le système scellé.

- Éviter d'exercer trop de pression sur les portes ou le dessus de l'appareil lors du déplacement du réfrigérateur.

INSTALLATION DU FILTRE À EAU

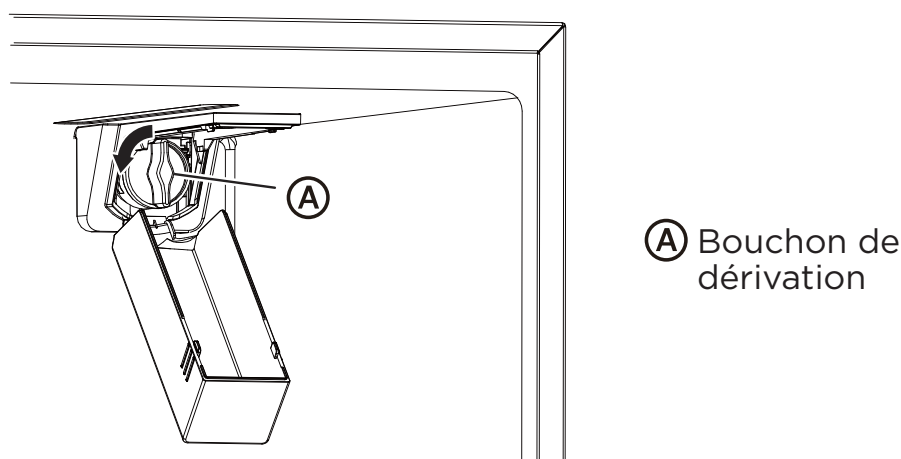
RETRAIT DU BOUCHON DE DÉRIVATION

1. Fermez l'alimentation en eau du réfrigérateur.
2. Serrer les côtés du couvercle du filtre (aux endroits indiqués), puis tirer vers le bas pour ouvrir le couvercle.



3. Tourner le bouchon de dérivation dans le sens antihoraire, puis tirer pour enlever.

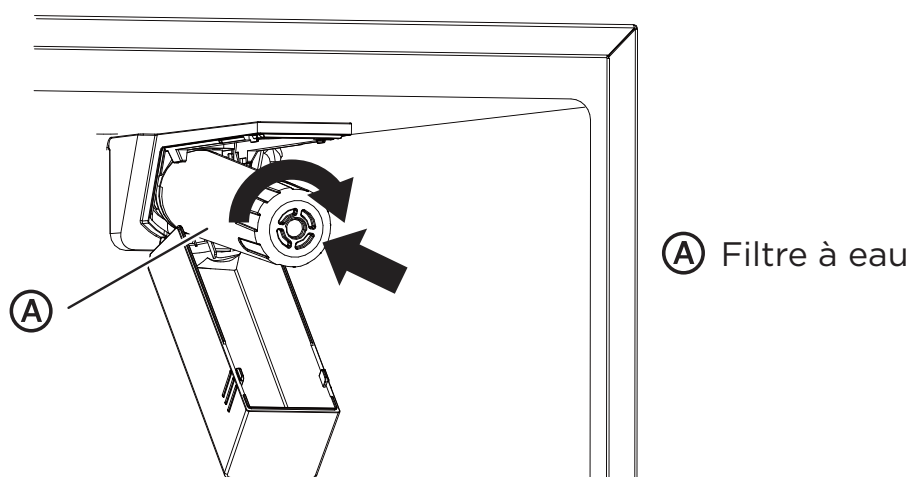
IMPORTANT : Conserver le bouchon de dérivation pour une utilisation ultérieure. La machine à glaçons et le distributeur d'eau ne fonctionneront pas tant que le filtre à eau ou le bouchon de dérivation n'est pas correctement installé.



INSTALLATION DU FILTRE À EAU

4. Sortir le filtre à eau de son emballage, puis enlever le capuchon en plastique transparent de la tête du filtre.
5. Aligner les languettes de la tête du filtre avec les encoches de l'ouverture, puis insérer le filtre à eau dans l'ouverture. Enfoncer, tout en tournant le filtre dans le sens horaire pour qu'il se mette en place.

REMARQUE : Le logement permet au filtre de bouger légèrement vers le haut et vers le bas.



6. Ouvrez l'alimentation en eau du réfrigérateur.
7. Refermer le couvercle du filtre.

REPLACEMENT DU FILTRE À EAU

L'icône du filtre à eau sur le panneau de commande s'illuminera après environ 150 jours, pour indiquer que le moment est venu de commander un filtre de rechange. Après 180 jours, l'icône s'illuminera et clignotera pour indiquer que le moment est venu de remplacer le filtre.

1. Fermez l'alimentation en eau du réfrigérateur
2. Tourner le filtre à eau dans le sens antihoraire, puis tirer pour enlever.
3. Installer le nouveau filtre à eau en suivant les étapes 4 à 7 de la section précédente.
4. Maintenir enfoncée la commande du filtre à eau pendant 3 secondes afin d'effacer et réinitialiser l'affichage de l'état du filtre.

REMARQUE : Le voyant s'éteindra et 3 signaux sonores retentiront.

PURGE DU SYSTÈME DE DISTRIBUTION D'EAU

Après avoir installé le filtre à eau de rechange, il est important d'évacuer l'air piégé dans le tuyau d'alimentation en eau de sorte que l'eau ne s'écoule pas du distributeur d'eau.

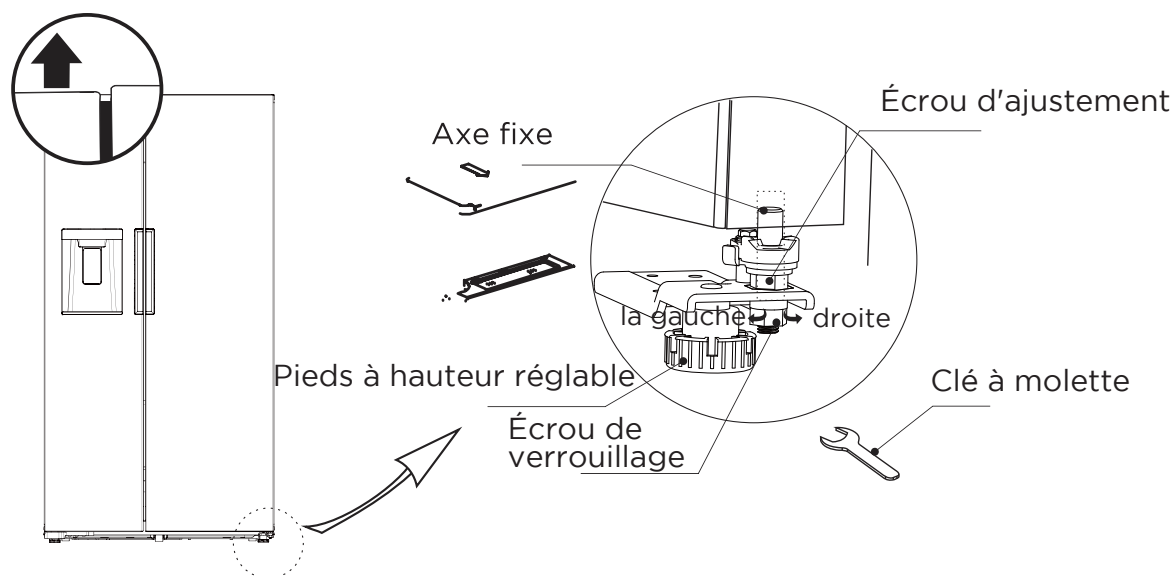
1. Ouvrir le robinet principal d'arrivée d'eau.
2. Verser 2,5 gallons d'eau (rincer pendant environ 5 minutes) pour éliminer l'air piégé et les contaminants du système.

REMARQUE : Ne pas verser les 2,5 gallons de manière continue. Appuyer sur le levier du distributeur et puis relâcher pendant des cycles de 30 secondes de marche et 60 secondes d'arrêt. Une purge supplémentaire peut être nécessaire dans certains domiciles.

3. Ouvrir la porte du réfrigérateur pour vérifier l'absence de fuites au niveau du filtre à eau.

ALIGNER LES PORTES (AU BESOIN)

L'alignement ou le réglage des portes peut être effectué sur les modèles de réfrigérateurs côte à côte.



1. Repérez les écrous d'ajustement dans le coin inférieur droit sous la porte du réfrigérateur.
2. Après avoir desserré l'écrou de verrouillage en tournant dans le sens horaire, tournez l'écrou d'ajustement de la porte dans le sens horaire afin de relever la porte ou dans le sens anti-horaire pour la baisser.
3. Après un ou deux tours avec la clé à molette, ouvrez et refermez la porte du réfrigérateur et vérifiez l'alignement au-dessus des portes.
4. Serrez l'écrou de verrouillage en le tournant dans le sens anti-horaire.

REMARQUE : Au besoin, répétez les étapes ci-dessus jusqu'à ce que les portes soient bien alignées.

METTEZ LE RÉFRIGÉRATEUR DE NIVEAU

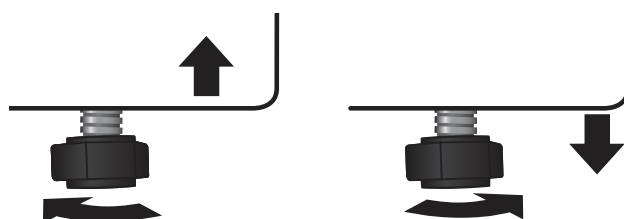
IMPORTANT : Mettez le réfrigérateur de niveau afin d'assurer son bon fonctionnement et éviter des problèmes de refroidissement, de givrage et d'humidité pouvant survenir si la porte ne se referme pas de façon appropriée.

1. Déplacez le réfrigérateur à sa destination finale. Consultez "Déplacez à sa destination finale."

- Placez un niveau de menuisier sur le dessus de l'armoire pour vérifier que le réfrigérateur est de niveau d'un côté à l'autre et légèrement incliné vers le bas vers l'arrière. Si le réfrigérateur n'est pas de niveau, passez aux étapes 3 et 4 pour régler.

REMARQUE: Les portes se fermeront plus facilement lorsque l'avant du réfrigérateur est légèrement plus haut que l'arrière du réfrigérateur.

- Régalez les deux pieds de réglage (un pied situé à chaque coin avant du réfrigérateur) jusqu'à ce qu'il soit de niveau.
- Avec une personne appuyant contre l'avant supérieur du réfrigérateur pour enlever le poids des pieds de nivellement, l'autre ou les autres peuvent alors tourner les pieds de nivellement pour régler la hauteur de chaque côté.
- Utilisez le niveau de menuisier pour vérifier le niveau et l'inclinaison.



Pour soulever - Tournez le pied de réglage dans le sens horaire.

Pour abaisser - Tournez le pied de réglage dans le sens antihoraire.

AVANT L'UTILISATION

PÉRIODE D'ATTENTE

- Avant de brancher le réfrigérateur dans la prise électrique à 3 fiches mises à la masse, laissez-le au repos dans sa position verticale pendant environ 2 heures.

REMARQUE : Ceci diminue les risques de défectuosité dans le système de refroidissement dans le cas d'une manutention inappropriée lors du transport.

- Laisser le réfrigérateur refroidir pendant 2 à 3 heures avant d'ajouter de la nourriture.

NETTOYAGE

- lavez l'intérieur du réfrigérateur à l'aide d'un linge doux et humide et d'une solution de bicarbonate de soude (2 c. à table de bicarbonate de soude dans 1 pinte d'eau tiède).
- Utilisez un linge doux pour essorer toutes les surfaces.

UTILISATION DU RÉFRIGÉRATEUR

GÉNÉRALITÉS

- La durée de vie des aliments surgelés peut varier et la durée recommandée ne doit pas être dépassée.
- Placer les aliments congelés dans le congélateur dès que possible après l'achat.
- Ne pas recongeler des aliments qui ont été complètement décongelés.

AVERTISSEMENT

Risque de choc électrique

- Branchez dans une prise à 3 fiches mise à la masse.
- Ne retirez pas la fiche de mise à la masse sur le cordon d'alimentation.
- N'utilisez pas d'adaptateur.
- N'utilisez pas de rallonge.
- Le non-respect de cette directive peut entraîner la mort, un incendie ou une décharge électrique.

1. Branchez le réfrigérateur dans une prise à 3 fiches mise à la masse.
2. Attendez 30 minutes, puis ouvrez la porte du réfrigérateur pour voir si ce dernier fonctionne de façon appropriée.
3. Ranger les aliments dans les compartiments de réfrigération et de congélation.

CONSEILS DE CONSERVATION D'ÉNERGIE

- Laissez les aliments chauds se refroidir à la température de la pièce avant de les placer dans le réfrigérateur. Les aliments mettant du temps à surgeler peuvent se dégrader ou se gâter.
- N'ajoutez PAS en même temps de grandes quantités d'aliments non surgelés dans le réfrigérateur. La surcharge du réfrigérateur fait en sorte que le compresseur fonctionne plus longtemps, ceci affectera l'efficacité de refroidissement du réfrigérateur.
- Emballez les aliments de façon appropriée et essuyez bien les récipients avant de les mettre dans le réfrigérateur. Ceci réduit l'accumulation de givre dans le réfrigérateur.
- Ne placez pas de papier aluminium, de papier ciré ou d'essuie-tout sur les étagères. Ces derniers nuisent à la circulation d'air froid, diminuant le rendement du réfrigérateur.
- Organisez et étiquetez vos aliments afin de diminuer les occasions d'ouverture de porte et la recherche sur une période prolongée. Sortez le plus d'articles possible, puis refermez la porte aussitôt.

COMMANDES

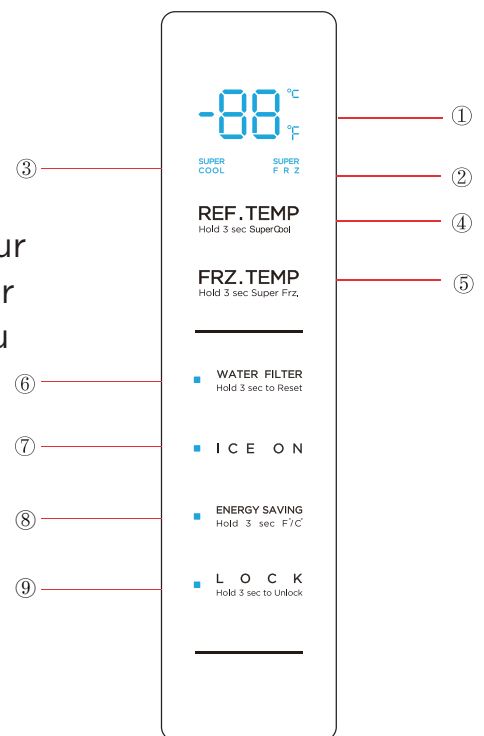
Le panneau des commandes est situé à droite de la porte du congélateur.

La première fois que le réfrigérateur est branché dans la prise de courant, l'écran d'affichage commence à s'allumer et défiler. Après quoi, les icônes de l'affichage s'allumeront totalement pendant 3 secondes et un signal sonore retentira.

Dans des conditions normales, lorsqu'aucune porte n'est ouverte et qu'aucune touche n'est enfoncée pendant 30 secondes, l'écran d'affichage s'éteint et se verrouille.

Lorsque l'écran d'affichage n'est pas illuminé, appuyer sur n'importe quelle touche pour l'éclairer, puis maintenir la touche **L O C K** Hold 3 sec to Unlock enfoncée pendant 3 secondes pour déverrouiller le panneau de commande.

- ① Indicateur de température
- ② Indicateur de température du congélateur
- ③ Indicateur de température du réfrigérateur
- ④ Bouton de réglage de la température du réfrigérateur
- ⑤ Bouton de réglage de la température du congélateur
- ⑥ Bouton et indicateur de réinitialisation du filtre à eau
- ⑦ Bouton et indicateur de la fonction glaçons
- ⑧ Bouton et indicateur d'ÉCONOMIE D'ÉNERGIE
- ⑨ Bouton et indicateur de verrouillage/déverrouillage



(L'image ci-dessus est à titre indicatif seulement. La configuration réelle de l'appareil dépend du produit réel ou de l'énoncé du distributeur.)

TEMPÉRATURE

Lorsque le réfrigérateur est branché pour la première fois dans une source d'alimentation électrique, les réglages par défaut des températures s'affichent.

La température de chaque compartiment est réglable dans sa plage de températures propre.

Compartiment de réfrigération

Réglage de la température par défaut : 39 °F (4 °C).

La plage de températures pour le compartiment de réfrigération est de 34 °F à 44 °F (1 °C à 7 °C).

Compartiment de congélation

Default temperature setting : 0 °F (-18 °C).

La plage de températures pour le compartiment de congélation est de -7 °F à 7 °F (-22 °C à -14 °C).

Pour régler la température des compartiments de réfrigération et de congélation :

1. Sélectionner le compartiment en appuyant sur la touche **REF. TEMP** Hold 3 sec SuperCool ou **FRZ. TEMP** Hold 3 sec Super Frz..
2. Appuyer sur les touches **REF. TEMP** Hold 3 sec SuperCool ou **FRZ. TEMP** Hold 3 sec Super Frz. pour élever ou abaisser la température par incréments de 1°, jusqu'à ce que la température désirée soit atteinte.

AFFICHAGE DE L'UNITÉ DE TEMPÉRATURE

Les températures des compartiments peuvent être affichées en degrés Fahrenheit (°F) ou en degrés Celsius (°C).

Appuyer sur les touches **ENERGY SAVING** Hold 3 sec F/C en même temps pendant 3 secondes pour changer l'unité de la température, des degrés Fahrenheit (°F) en degrés Celsius (°C) ou inversement.

VERROUILLAGE / DÉVERROUILLAGE DES COMMANDES

Pour déverrouiller les commandes :

Maintenir la touche **L O C K** Hold 3 sec to Unlock enfoncée pendant 3 secondes. Un signal sonore retentira et l'écran d'affichage s'illuminera.

Pour verrouiller les commandes :

Maintenir la touche **L O C K** Hold 3 sec to Unlock enfoncée pendant 3 secondes. Un signal sonore retentira et l'écran d'affichage s'éteindra.

REMARQUE : Après 30 secondes, si aucune touche n'est enfoncée, les commandes se verrouilleront automatiquement.

MODE DE REFROIDISSEMENT RAPIDE

Maintenir la touche **REF.TEMP** Hold 3 sec SuperCool enfoncée pendant 3 secondes pour entrer dans le mode de refroidissement rapide.

L'icône du compartiment de réfrigération s'illuminera en bleu et la température du compartiment descendra à 34 °F (1 °C). 

Maintenir à nouveau la touche **REF.TEMP** Hold 3 sec SuperCool enfoncée pendant 3 secondes pour quitter le mode de refroidissement rapide. L'éclairage s'éteindra et la température du compartiment de réfrigération sera réinitialisée à la température précédemment réglée.

MODE DE CONGÉLATION RAPIDE

Maintenir la touche **FRZ.TEMP** Hold 3 sec Super Frz. enfoncée pendant 3 secondes pour entrer dans le mode de congélation rapide.

L'icône du compartiment de congélation s'illuminera en bleu et la température du compartiment descendra à -7 °F (-22 °C). 

Maintenir à nouveau la touche **FRZ.TEMP** Hold 3 sec Super Frz. enfoncée pendant 3 secondes pour quitter le mode de congélation rapide. L'éclairage s'éteindra et la température du compartiment de congélation sera réinitialisée à la température précédemment réglée.

MODE D'ÉCONOMIE D'ÉNERGIE

Appuyer sur la touche **ENERGY SAVING** Hold 3 sec F/C pour entrer dans le mode d'économie d'énergie et le quitter. Energy Saving (économie d'énergie) s'illumine pour indiquer que le mode est activé et s'éteint lorsqu'il n'est pas activé.

Lorsque le mode d'économie d'énergie est activé, la température du compartiment de réfrigération est de 44 °F (7 °C) et celle du compartiment de congélation de 7 °F (-14 °C).

Lorsque le mode d'économie d'énergie est désactivé, les températures des compartiments de réfrigération et de congélation reviendront aux températures précédemment réglées.

REMARQUE : Si une température a été réglée au mode de refroidissement rapide ou au mode de congélation rapide, elle sera alors automatiquement annulée.

MACHINE À GLAÇONS

Machine à glaçons du congélateur

Appuyer sur la touche **I C E O N** pour mettre en marche ou arrêter la machine à glaçons du compartiment de congélation.

Lorsque la machine à glaçons du congélateur est en marche, la commande s'illumine.

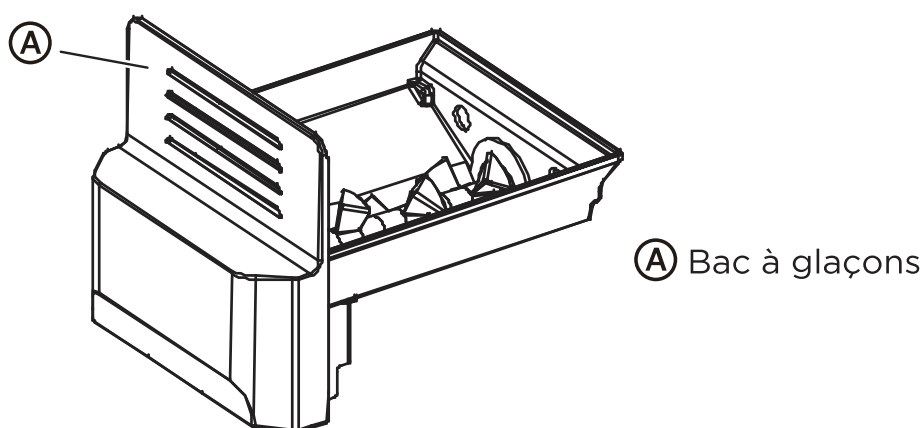
Bac à glaçons du congélateur

Le bac à glaçons du congélateur est amovible, afin de pouvoir le nettoyer et le vider lorsqu'une grande quantité de glaçons est nécessaire.

Après avoir vidé et/ou nettoyé le bac, le remettre immédiatement en place. La machine à glaçons continuera de produire des glaçons et les glaçons tomberont dans le compartiment de fabrication des glaçons s'il n'est pas bien remis.

Pour sortir le bac à glaçons :

1. Ouvrir la porte du congélateur rapidement.
2. Saisir la poignée du bac à glaçons et le sortir du compartiment.



Pour réinstaller le bac à glaçons :

1. Si besoin, enlever tous les glaçons tombés dans le compartiment de fabrication des glaçons.
2. Faire glisser le bac à glaçons dans le compartiment.

Modes du panneau de commande du distributeur

Le panneau de commande du distributeur comporte des icônes à DEL rétroéclairées pour indiquer le mode de fonctionnement du distributeur. Vous pouvez choisir entre deux modes d'affichage, le mode "Veille" et le mode "Actif". Vous pouvez changer de mode en suivant les instructions ci-dessous. Par défaut, la commande du distributeur est en mode "Veille".

En mode “Veille”, les icônes du distributeur sont dissimulées jusqu’à ce qu’elles soient activées. Les icônes peuvent être activées en faisant glisser votre doigt sur la surface du panneau de commande. Les icônes du distributeur s’éteignent automatiquement après 120 secondes. Le mode “Veille” donne à l’appareil un aspect minimaliste que certains utilisateurs préfèrent.

En mode “Actif”, les icônes du distributeur (glaçons, eau, glace pilée) restent toujours allumées. Le panneau de commande utilise une icône à DEL plus lumineuse pour indiquer le mode de distribution sélectionné.

Permutation entre le mode “Actif” et le mode “Veille” : Restez appuyé sur les icônes EAU et GLACE PILÉE pendant 3 secondes. La commande du distributeur clignotera pendant 2 secondes, confirmant ainsi le changement de mode.

Le distributeur d’eau et de glaçons, situé sur la partie frontale de la porte du réfrigérateur, distribue de l’eau froide, des glaçons et de la glace pilée.

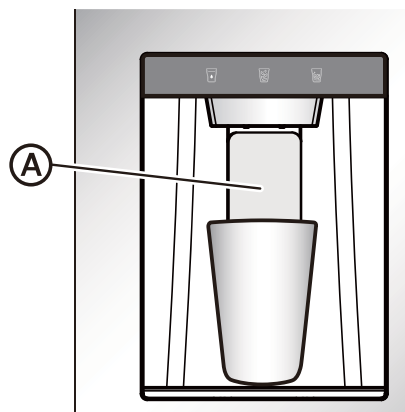


La fonction de distribution ne fonctionnera que si la porte du réfrigérateur est bien fermée.

La première fois que le réfrigérateur est branché dans la prise de courant, l’affichage de la commande du distributeur s’illuminera pendant 3 secondes. La distribution d’eau est l’option de distribution par défaut.

La première fois que le réfrigérateur est raccordé à l’alimentation en eau, il se peut que l’eau ne s’écoule pas en raison de la présence d’air dans le tuyau d’alimentation en eau.

1. Appuyer sur le levier du distributeur pendant au moins 5 minutes afin de faire sortir l’air piégé dans le tuyau et remplir le système d’alimentation en eau. Voir la section “Purger le système d’alimentation en eau”.



Ⓐ Dispenser pad


2. Jeter les six premiers verres d’eau afin d’évacuer les impuretés du tuyau d’alimentation en eau.

Éclairage du distributeur


L’éclairage du distributeur s’allume lorsque vous distribuez de l’eau et des glaçons. L’éclairage à DEL s’éteint après 3 secondes.

Pour l’utiliser comme veilleuse ou prolonger la durée d’allumage de l’éclairage du distributeur, restez appuyé sur les icônes EAU et GLAÇONS en même temps pendant 3 secondes. L’éclairage du distributeur s’éteindra automatiquement après 12 heures. Pour l’éteindre, maintenez à nouveau les mêmes boutons enfoncés pendant 3 secondes.


Distribution d'eau

1. Appuyer sur la touche Water (eau) . Le voyant de l'eau s'allume.
2. À l'aide du doigt ou d'un contenant, appuyer sur le levier pour distribuer de l'eau.
3. Relâcher le levier pour mettre fin à la distribution d'eau.

Distribution de glaçons

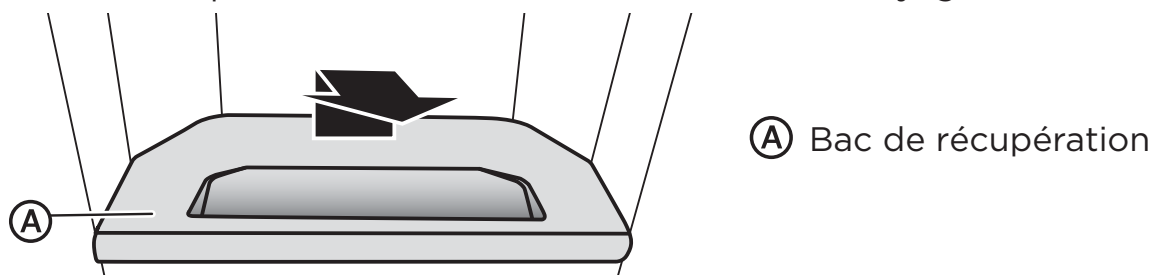
1. Appuyer sur la touche Cubed (glaçons) . Le voyant des glaçons s'allume.
2. À l'aide du doigt ou d'un contenant, appuyer sur le levier pour distribuer des glaçons.
3. Relâcher le levier pour mettre fin à la distribution de glaçons.

Distribution de glace pilée

1. Appuyer sur la touche Crushed (glace pilée) . Le voyant de la glace pilée s'allume.
2. À l'aide du doigt ou d'un contenant, appuyer sur le levier pour distribuer de la glace pilée.
3. Relâcher le levier pour mettre fin à la distribution de glace pilée.

BAC DE RÉCUPÉRATION

Le bac de récupération est amovible à des fins de nettoyage.

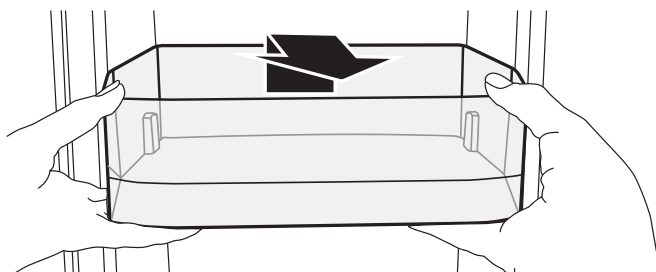


BALCONNETS AMOVIBLES

Les balconnets sont amovibles pour faciliter le nettoyage.

Dépose :

1. Enlever tous les articles du balconnet.
2. Saisir les côtés du balconnet, soulever, puis tirer vers l'extérieur.



Réinstallation :

1. Insérer le balconnet dans le revêtement intérieur de la porte, au-dessus du support, puis appuyer vers le bas pour qu'il se bloque en position.

ENTRETIEN DU RÉFRIGÉRATEUR

Votre réfrigérateur est conçu pour une utilisation soutenue et n'exige qu'un nettoyage et un entretien minimal. Pour assurer le bon fonctionnement de votre réfrigérateur, libre de toute odeur, nous recommandons un nettoyage régulier.

NETTOYAGE

AVERTISSEMENT

Risque de choc électrique

- Débranchez votre appareil ou coupez l'alimentation avant de procéder au nettoyage.
- Le non-respect de cette directive peut entraîner la mort, une décharge électrique ou des blessures corporelles.

AVERTISSEMENT

Risque d'explosion

- Utilisez un nettoyeur non inflammable.
- Le non-respect de cette directive peut entraîner la mort, une explosion ou un incendie.

IMPORTANT : Pour empêcher d'endommager le revêtement, n'utilisez PAS d'essence, de benzène, de diluant ou autre solvant, et n'utilisez PAS de nettoyeurs abrasifs.

1. Débranchez le réfrigérateur de la prise électrique.
2. Retirez tous les aliments.

3. Retirez et lavez toutes les étagères avec un détergent doux.
4. Lavez l'intérieur du réfrigérateur à l'aide d'un linge doux et humide et d'une solution de bicarbonate de soude (2 c. à table de bicarbonate de soude dans 1 pinte d'eau tiède).
5. Nettoyez le joint d'étanchéité autour de la porte. Essayez délicatement le joint à l'aide d'un linge humide doux et d'une solution de détergent doux.
REMARQUE : Les joints doivent être propres et flexibles pour assurer une bonne étanchéité.
6. Utilisez un linge doux pour essorer toutes les surfaces.
7. Branchez de nouveau l'appareil.

DÉPLACEMENT

IMPORTANT : En déplaçant votre réfrigérateur, n'inclinez PAS ce dernier plus de 45° de la position verticale.

1. Débranchez le réfrigérateur de la prise électrique.
2. Retirez tous les aliments.
3. Fixez du ruban sur tous les articles amovibles à l'intérieur du réfrigérateur.
4. Fixez du ruban sur la porte.

EMPLACEMENT

IMPORTANT : Ne placez pas le réfrigérateur dans un endroit accessible aux enfants.

1. Débranchez le réfrigérateur de la prise électrique.
2. Retirez tous les aliments.
3. Nettoyez le réfrigérateur.
4. Laissez la porte entrouverte pour éviter la formation de condensation, de moisissure ou d'odeurs.

REPLACEMENT DES AMPOULES

Tout remplacement ou entretien des ampoules à DEL doit être effectué par le fabricant, son prestataire de services ou toute autre personne qualifiée .

DÉPANNAGE

IMPORTANT : NE TENTEZ PAS de réparer votre réfrigérateur vous-même. Ce faisant, vous annulerez votre garantie.

GÉNÉRALITÉS

PROBLÈME	CAUSE POSSIBLE	SOLUTION
Le réfrigérateur ne fonctionne pas	Le réfrigérateur est débranché.	Assurez-vous que le cordon d'alimentation soit bien inséré dans la prise électrique.
	Le fusible dans le circuit est brûlé ou le disjoncteur est déclenché.	Vérifiez la boîte à fusible/ le disjoncteur et remplacez le fusible ou rétablissez le disjoncteur.
	Panne électrique.	Lors d'une panne électrique, le réfrigérateur se désactive. Attendez le retour du courant.
	Le contrôle de la température n'est pas réglé sur la température correcte.	Ajustez la température à un réglage plus bas.
La porte du réfrigérateur ne se referme pas complètement.	Le jeu entre le réfrigérateur et les armoires ou le mur environnants est insuffisant.	Assurez-vous qu'il y a suffisamment d'espace autour du réfrigérateur et retirez tous les articles du haut du réfrigérateur pour maximiser la circulation de l'air. Voir "Exigences relatives à l'emplacement".
	Des emballages obstruent la fermeture de la porte.	Déplacez ou retirez des aliments.
	Les joints d'étanchéité de la porte sont souillés.	Nettoyez les joints d'étanchéité de la porte.
Les voyants LED ne s'allument pas	Le réfrigérateur n'est peut-être pas de niveau.	Mettez le réfrigérateur de niveau.
	Le réfrigérateur est débranché.	Branchez dans une prise à 3 fiches mise à la masse.
	La lumière LED est grillée.	Contactez un technicien qualifié pour remplacer la LED grillée.

Sécurité du Réfrigérateur

Exigences de Fonctionnement

Composantes et Caractéristiques

Installation

Avant l'utilisation

Utilisation du Réfrigérateur

Entretien du Réfrigérateur

Dépannage

	PROBLÈME	CAUSE POSSIBLE	SOLUTION
Sécurité du Réfrigérateur	Les aliments dans le réfrigérateur ne sont pas froids	La porte a été ouverte trop souvent ou est mal fermée.	Assurez-vous que la porte soit fermée de façon appropriée.
Exigences de Fonctionnement		Une grande quantité d'aliments vient d'être ajoutée au réfrigérateur.	Allouez assez de temps pour permettre à ces nouveaux aliments de se refroidir, puis vérifiez de nouveau.
Composantes et Caractéristiques		La porte n'est pas fermée complètement.	Vérifiez le joint d'étanchéité de la porte et la disposition des aliments, et assurez-vous que la porte se referme correctement.
Installation		Le réfrigérateur a été débranché sur une période prolongée.	Allouez 4 heures avant d'ajouter des aliments pour permettre au réfrigérateur de se refroidir.
		Le réglage de la température est trop chaud.	Réglez la température à un niveau plus froid.
Avant l'utilisation	Les articles dans le compartiment réfrigérateur gèlent	Les bouches d'aération sont obstruées.	Placez les gros articles sur les côtés de l'étagère supérieure de façon à ce qu'ils ne bloquent pas l'air circulant à partir de l'évent au centre.
Utilisation du Réfrigérateur	Le réfrigérateur émet des bruits ou des vibrations inhabituels	Le réfrigérateur n'est peut-être pas de niveau.	Réglez les pieds de réglage situés à chaque coin avant du réfrigérateur, jusqu'à ce qu'il soit de niveau.
Entretien du Réfrigérateur		Le réfrigérateur touche à un mur.	Éloignez le réfrigérateur du mur.
		Les pièces de métal font l'objet d'une expansion et d'une contraction.	Ceci est normal.
		Le fluide frigorigène circule dans tout le système.	Ceci est normal.
Dépannage	L'humidité s'accumule à l'intérieur du réfrigérateur	La porte a été ouverte trop souvent ou est mal fermée.	Assurez-vous que la porte soit fermée de façon appropriée.
		Le réfrigérateur est situé dans une zone humide.	Déplacez le réfrigérateur dans un endroit plus sec.
		La température est élevée et humide.	Ceci est normal.

PROBLÈME	CAUSE POSSIBLE	SOLUTION
Le compresseur s'active et se désactive fréquemment	La température de la pièce est plus élevée qu'en temps normal.	Ceci est normal.
	Une grande quantité d'aliments vient d'être ajoutée au réfrigérateur.	Allouez assez de temps pour permettre à ces nouveaux aliments de se refroidir, puis vérifiez de nouveau.
	La porte n'est pas fermée correctement ou a été ouverte trop souvent.	Vérifiez le joint d'étanchéité de la porte et la disposition des aliments, et assurez-vous que la porte se referme correctement.
	Le réfrigérateur a été débranché sur une période prolongée.	Allouez 4 heures avant d'ajouter des aliments pour permettre au réfrigérateur de se refroidir.
Le réfrigérateur dégage une odeur	La température n'a pas été réglée correctement.	Régalez la température au niveau approprié.
	Le réfrigérateur a besoin d'être nettoyé.	Nettoyez le réfrigérateur. Consultez "Nettoyage."
	Les aliments mal emballés dégagent une odeur.	Emballer les aliments de façon adéquate avant de les placer dans le réfrigérateur.

GLAÇONS ET EAU

	PROBLÈME	CAUSE POSSIBLE	SOLUTION
Sécurité du Réfrigérateur	<p>La machine à glaçons ne produit pas de glaçons ou pas suffisamment de glaçons</p>	Le réfrigérateur n'est pas raccordé à une alimentation en eau ou le robinet d'arrêt de l'alimentation en eau est fermé.	Raccorder le réfrigérateur à l'alimentation en eau et ouvrir complètement le robinet d'arrêt de l'alimentation en eau.
Exigences de Fonctionnement		La ou les machines à glaçons sont éteintes.	Mettre la ou les machines à glaçons en marche. Voir la section "Commandes".
Composantes et Caractéristiques		Le réfrigérateur vient d'être installé.	Attendre 12 heures après l'installation de la machine à glaçons pour que la production de glaçons commence.
Installation		Le bac à glaçons n'est pas en place. Une grande quantité de glaçons vient d'être enlevée.	Vérifier que le bac à glaçons est bien en place. Laisser suffisamment de temps à la machine à glaçons pour produire de la glace.
Avant l'utilisation		Un glaçon est coincé dans le bras éjecteur de la machine à glaçons.	Enlever le glaçon du bras éjecteur à l'aide d'un ustensile en plastique.
Utilisation du Réfrigérateur	<p>Les glaçons sont creux ou petits</p> <p>REMARQUE : This is an indication of low water pressure.</p>	<p>Le robinet d'arrêt de l'alimentation en eau n'est pas complètement ouvert.</p> <p>La conduite d'alimentation en eau est déformée.</p>	<p>Ouvrir complètement le robinet d'arrêt de l'alimentation en eau.</p> <p>Une déformation de la conduite peut réduire le débit d'eau. Redresser la conduite de la source d'alimentation en eau.</p>
Entretien du Réfrigérateur	Un filtre à eau est installé sur le réfrigérateur.	Enlever le filtre à eau et faire fonctionner la machine à glaçons. Si la quantité de glaçons augmente, cela signifie alors que le filtre doit être obstrué ou mal installé. Remplacer le filtre ou le remettre bien en place.	

PROBLÈME	CAUSE POSSIBLE	SOLUTION
Le distributeur d'eau et de glaçons ne fonctionne pas correctement	Le réfrigérateur n'est pas raccordé à une alimentation en eau ou le robinet d'arrêt de l'alimentation en eau est fermé.	Raccorder le réfrigérateur à l'alimentation en eau et ouvrir complètement le robinet d'arrêt de l'alimentation en eau.
	La conduite d'alimentation en eau est déformée.	Une déformation de la conduite peut réduire le débit d'eau. Redresser la conduite de la source d'alimentation en eau.
	Pression d'eau inadéquate jusqu'au domicile.	La pression d'eau du domicile détermine le débit du distributeur. Voir la section "Exigences relatives à l'alimentation en eau".
	Une porte du réfrigérateur n'est pas bien fermée.	S'assurer que les deux portes du compartiment de réfrigération sont complètement fermées.
	Le filtre à eau ou le bouchon de dérivation n'est pas correctement installé.	L'eau ne peut pas être distribuée si le filtre à eau ou le bouchon de dérivation n'est pas bien en place. Voir la section "Filtre à eau".
	Un glaçon bloque la goulotte de distribution.	Sortir le bac à glaçons du compartiment à glaçons supérieur. Vérifier la goulotte de distribution et retirer tout glaçon resté coincé à l'aide d'un ustensile en plastique au besoin. Nettoyer la goulotte de distribution et le bac à glaçons avec un chiffon mouillé à l'eau chaude, puis sécher à fond.
	Le bac à glaçons n'est pas bien en place dans le compartiment de fabrication.	Pour éviter que les glaçons ne restent coincés et pour obtenir des glaçons au goût frais, vider le bac à glaçons et nettoyer le bac et la goulotte régulièrement.
	Vérifier la position du bac à glaçons.	

PROBLÈME	CAUSE POSSIBLE	SOLUTION
<p>De l'eau coule du système de distribution</p> <p>REMARQUE : Quelques gouttes d'eau après une distribution sont normales.</p>	<p>Le verre n'a pas été maintenu suffisamment longtemps sous le distributeur.</p> <p>Le filtre à eau a récemment été installé ou remplacé.</p>	<p>Tenir le verre sous le distributeur pendant 2 à 3 secondes après avoir relâché le levier.</p> <p>Purger le système d'alimentation en eau permet de faire sortir l'air des conduites qui provoque l'égouttement du distributeur d'eau. Purger le système d'alimentation en eau. Voir la section "Purger le système d'alimentation en eau".</p>
<p>L'eau distribuée a mauvais goût</p>	<p>De l'eau n'a pas été distribuée récemment (environ 4 jours).</p> <p>Le filtre à eau doit être remplacé.</p>	<p>Faire couler et jeter au moins 1 gallon d'eau.</p> <p>Remplacer le filtre à eau au moment indiqué.</p>
<p>L'eau distribuée est tiède</p>	<p>Le réfrigérateur vient d'être installé.</p> <p>Le réfrigérateur n'est pas raccordé à une canalisation d'eau froide.</p> <p>Une grande quantité d'eau vient d'être distribuée.</p> <p>De l'eau n'a pas été récemment distribuée.</p>	<p>Attendre 24 heures après l'installation pour permettre à l'alimentation en eau de refroidir complètement.</p> <p>Vérifier que le réfrigérateur est bien raccordé à une canalisation d'eau froide.</p> <p>Attendre 3 heures pour permettre à l'alimentation en eau de refroidir complètement.</p> <p>Le premier verre d'eau peut ne pas être froid. Jeter le premier verre d'eau distribué.</p>
<p>De l'eau s'écoule à l'arrière du réfrigérateur</p>	<p>Les raccords de la canalisation d'eau n'ont pas bien été serrés.</p>	<p>Voir la section "Raccordement à la canalisation d'eau".</p>
<p>De l'eau s'écoule du plateau, sous le tiroir du congélateur</p>	<p>Le réfrigérateur se dégivre automatiquement plus souvent.</p> <p>Les portes ou les tiroirs ne sont pas bien fermé(e)s, ce qui laisse entrer l'air chaud dans le réfrigérateur.</p>	<p>Vider le bac d'égouttement. S'assurer que le réfrigérateur n'est pas surchargé et que les contenants d'aliments liquides, comme les soupes, sont hermétiquement fermés.</p> <p>S'assurer que toutes les portes et tous les tiroirs sont bien fermés.</p>

CODES D'ERREUR

Si un code d'erreur est affiché sur l'écran du panneau de commandes, contacter le revendeur ou le service à la clientèle d'Insignia au 1-866-646-4332.

CODE D'ERREUR	DESCRIPTION DE L'ERREUR
E0	Erreur de la machine à glaçons
E1	Erreur du capteur de température dans le compartiment du réfrigérateur.
E2	Erreur du capteur de température dans le compartiment du congélateur.
E5	Erreur du capteur de dégivrage dans le compartiment du congélateur.
E6	Erreur de communication sur le panneau d'affichage.
E7	Erreur de température ambiante
EH	Erreur du capteur d'humidité
EE	Erreur du capteur de la machine à glaçons
CA	Erreur de communication sur le panneau de la machine à glaçons
EP	Défaut hors glace de la machine à glace

HOJA DE DATOS DE RENDIMIENTO

SISTEMA INTERNO DE FILTRACIÓN DE AGUA

MODELO MF-2008-R2 CAPACIDAD 200 GALONES (757 LITROS)



Sistema probado y certificado por NSF International según las normas NSF/ANSI 42 y 53 para la reducción de los contaminantes especificados en la Hoja de Datos del Rendimiento.

Este sistema ha sido probado de acuerdo con las Normas NSF/ANSI 42 y 53 para la reducción de las sustancias enumeradas a continuación. La concentración de las sustancias indicadas en agua entrando al sistema fue reducida a una concentración menor o igual al límite permitido para agua saliendo del sistema, como se especifica en las Normas NSF/ANSI 42 y 53.

Reducción de sustancias	Concentración del peligro de penetración o intrusión (mg/L)	Concentración máxima permisible del producto en el agua (mg/L)	Reducción del % medio	Requisitos de reducción de NSF
Reducción de cloro	2,0 mg/L ± 10%	NA	93,7%	50%
Reducción de partículas, Clase I*	≥10000/ml	NA	>99,9%	≥85%
Reducción de plomo	0,15mg/L ± 10%	≤0,010	99,60%	NA
Quistes vivos†	50000/L	NA	>99,99%	99,95%

Parámetros de prueba: pH = 7,69 ± 0,5 a menos que se indique lo contrario. Flujo = 0,52 gpm (1,89 Lpm). Presión = 60 psig (413,7 kPa).

Temperatura = 20° C a 22° C (68° F a 71.6° F). Capacidad nominal de servicio = 200 galones (757 litros).

- Es importante que se cumplan los requisitos de funcionamiento, mantenimiento y sustitución de filtros para que el producto funcione como se ha anunciado. Pueden ocurrir daños materiales si no se siguen todas las instrucciones.
- El cartucho desechable debe cambiarse al menos cada 6 meses.
- Utilice un filtro MF2008-R2 de repuesto.
- El sistema de monitorización del filtro mide la cantidad de agua que pasa por el filtro y le avisa sobre cuándo es el momento de reemplazar el filtro. Consulte la sección "Uso de los controles".
- Después de cambiar el filtro de agua, enjuague el sistema de agua. Consulte la sección "Dispensador".
- Estos contaminantes no se encuentran necesariamente en su suministro de agua. Si bien las pruebas se realizaron en condiciones normales de laboratorio, el rendimiento real puede variar.
- El producto es solo para uso con agua fría.
- El sistema de agua debe instalarse de acuerdo con las leyes y normativas estatales y locales.
- No utilizar con agua que no sea microbiológicamente segura o de calidad desconocida sin una desinfección previa o posterior adecuada del sistema. Los sistemas certificados para la reducción de quistes pueden usarse en aguas desinfectadas que pueden contener quistes filtrables. EPA Est. N.º 10350-MN-005.
- Consulte la sección "Garantía" para conocer la garantía limitada del fabricante, el nombre y el número de teléfono.

Pautas de aplicación/Parámetros para el suministro de agua

Suministro de agua	Municipal o de pozo potable
Presión de agua	35 - 120 lbs/pulg ² (241 - 827 kPa)
Temperatura de agua	33° - 100°F (1° - 38°C)
Tasa de flujo de servicio	0, 52 gpm (1.89 L/min.) @ 60 lbs/pulg ²

* Tamaño de las partículas de clase I: > 0,5 a <1 µm.>
† Basado en el uso de oocistos de *Cryptosporidium parvum*.

® NSF es una marca registrada de NSF International.

GARANTÍA LIMITADA DEL REFRIGERADOR MIDEA

ADJUNTE SU RECIBO AQUÍ. SE REQUIERE COMPROBANTE DE COMPRA PARA OBTENER UN SERVICIO DE GARANTÍA.

Tenga a disposición la siguiente información cuando llame al Centro de servicio al cliente:

- Nombre, domicilio y número de teléfono
- Número de modelo y número de serie
- Una descripción clara y detallada del problema
- Comprobante de compra, incluido el nombre y domicilio del distribuidor o vendedor

SI NECESITA SERVICIO TÉCNICO:

1. Antes de contactarnos para coordinar el servicio técnico, determine si su producto requiere reparación. Algunas preguntas pueden resolverse sin el servicio técnico. Dedique algunos minutos a revisar la sección de Solución de problemas del Manual de usuario, o visite <http://us.Midea.com/support>.
2. Todo servicio técnico de garantía se provee exclusivamente por parte de prestadores de servicio técnico autorizados de Midea, en los EE. UU. y Canadá.

Servicio al cliente de Midea

En EE. UU. o Canadá, llame al 1-866-646-4332.

Si se encuentra fuera de los 50 estados de los Estados Unidos o de Canadá, comuníquese con su distribuidor autorizado de Midea para corroborar si aplica una garantía distinta.

1 AÑO PARA PIEZAS Y MANO DE OBRA, 10 AÑOS PARA PIEZAS DEL COMPRESOR

LO QUE CUBRE

PRIMER AÑO DE GARANTÍA LIMITADA (PIEZAS Y MANO DE OBRA)

Midea reparará o reemplazará, sin cargo, cualquier defecto debido a materiales defectuosos o mano de obra por un año completo a partir de la fecha de compra. Para obtener más detalles sobre la cobertura de la garantía e información sobre reparación de la garantía, visite www.midea.com o llame al **1-866-646-4332**.

El consumidor será responsable de:

- Los costos de diagnóstico, traslado, transporte y reinstalación requeridos por el servicio.
- Los costos de las llamadas de servicio que sean resultado de los artículos enumerados bajo **RESPONSABILIDADES NORMALES DEL CONSUMIDOR****

RESPONSABILIDADES NORMALES DEL CONSUMIDOR**

Esta garantía se aplica solo a los productos de uso doméstico común, y el consumidor es responsable de los puntos que se enumeran a continuación:

1. El uso correcto del electrodoméstico de acuerdo con las instrucciones proporcionadas con el producto.
2. El mantenimiento de rutina y la limpieza necesaria para mantener las buenas condiciones de trabajo.
3. La instalación correcta por un profesional de servicio autorizado de acuerdo con las instrucciones provistas con el electrodoméstico y de acuerdo con todos los códigos locales de plomería, electricidad y/o gas.
4. La conexión adecuada a una fuente de alimentación con conexión a tierra de suficiente voltaje, reemplazo de fusibles quemados, reparación de conexiones flojas o defectos en el cableado de la casa.
5. Los gastos por hacer accesible el electrodoméstico para darle servicio.
6. Los daños al acabado después de la instalación.

SU ÚNICO RECURSO EXCLUSIVO CONFORME A ESTA GARANTÍA LIMITADA SERÁ LA REPARACIÓN O EL REEMPLAZO DEL PRODUCTO SEGÚN SE INDICA. El servicio técnico debe ser provisto por una empresa de servicio técnico designada por Midea. Esta garantía limitada es válida solamente en los 50 estados de los Estados Unidos o Canadá y aplica únicamente cuando el electrodoméstico se utiliza en el país en el que se adquirió. Esta garantía limitada entra en vigencia a partir de la fecha de compra original del consumidor. Se requiere comprobante de la fecha de compra original para obtener el servicio técnico conforme esta garantía.

LO QUE NO CUBRE

1. Fallo causado por daño a la unidad mientras se encuentra en su posesión (que no sea daño causado por un defecto o mal funcionamiento), por su instalación incorrecta o por un uso irrazonable del producto, incluyendo, entre otros, la falta de mantenimiento razonable y necesario o el cumplimiento del Manual de instrucciones e instalación.
2. Los productos comprados “como están” o restaurados no están cubiertos por esta garantía.
3. Pérdida de alimentos causada por falla del refrigerador o congelador.
4. Llamadas de servicio para reparar o reemplazar consumibles como filtros de agua, bombillas, filtros de aire, etc., manijas, perillas y otras partes cosméticas.
5. Un producto que haya sido transferido de su propietario original.
5. Óxido interior o exterior de la unidad.
7. Daños causados por servicios realizados por personas distintas de los servicios autorizados de Midea; uso de partes distintas a las de reemplazo de Midea; lo obtenido de personas que no sean del servicio al cliente de Midea; o causas externas tales como abuso, mal uso, suministro de energía inadecuado o desastres naturales.
8. Llamadas de servicio resultantes por la instalación incorrecta del producto.
9. Llamadas de servicio para darle instrucciones acerca del uso del producto.
10. Recargos que incluyen, entre otros, cualquier llamada de servicio después de hora, fin de semana o días festivos, peajes, cargos por viaje en ferry o gastos de millaje para llamadas de servicio a áreas remotas, incluido el estado de Alaska.
11. Si la unidad se destina a un uso comercial, de negocio, de alquiler u otro uso o aplicación que no sea para uso del consumidor, no ofrecemos ninguna garantía, expresa o implícita, incluida, entre otras, cualquier garantía implícita de comercialización o idoneidad para un uso o propósito particular.
12. Un producto que haya sido retirado fuera de los Estados Unidos o Canadá.
13. Productos sin números de serie originales o productos con números de serie que hayan sido alterados o no puedan determinarse fácilmente.

NOTA: Algunos estados no permiten la exclusión o limitación de daños incidentales o consecuentes. Por lo tanto, esta limitación o exclusión puede no aplicarse a su caso.

El costo de la reparación o reemplazo conforme a estas circunstancias excluidas correrá a cargo del cliente.

EXENCIÓN DE RESPONSABILIDAD DE LAS GARANTÍAS IMPLÍCITAS

LAS GARANTÍAS IMPLÍCITAS, INCLUIDA CUALQUIER GARANTÍA IMPLÍCITA DE COMERCIABILIDAD O GARANTÍA IMPLÍCITA DE IDONEIDAD PARA UN PROPÓSITO ESPECÍFICO, SE LIMITAN A UN AÑO O EL PERÍODO MÁS BREVE PERMITIDO POR LEY. Algunos estados y provincias no permiten limitaciones a la duración de las garantías implícitas de comerciabilidad o idoneidad, de manera que esta limitación podría no aplicar para usted. Esta garantía le otorga determinados derechos legales, y usted cuenta además con otros derechos que varían según el estado o la provincia.

EXENCIÓN DE RESPONSABILIDAD DE LAS DECLARACIONES AJENAS A LA GARANTÍA

Midea no hace ninguna declaración respecto de la calidad, durabilidad o necesidad de servicio técnico o reparaciones para este electrodoméstico, salvo las declaraciones incluidas en esta garantía. Si desea obtener una garantía más extensa o integral que la garantía limitada que se ofrece con este electrodoméstico, consulte con Midea o su vendedor sobre la posibilidad de adquirir una garantía extendida.

LIMITACIÓN DE RECURSOS; EXCLUSIÓN DE RESPONSABILIDAD POR DAÑOS OCASIONALES E INDIRECTOS

SU ÚNICO RECURSO EXCLUSIVO CONFORME A ESTA GARANTÍA LIMITADA SERÁ LA REPARACIÓN DEL PRODUCTO SEGÚN SE INDICA. MIDEA NO SERÁ RESPONSABLE POR DAÑOS OCASIONALES O INDIRECTOS. Algunos estados y provincias no permiten la exclusión o limitación de responsabilidad respecto de los daños ocasionales o indirectos, de manera que esta limitación podría no aplicar para usted. Esta garantía le otorga determinados derechos legales, y usted cuenta además con otros derechos que varían según el estado o la provincia.

05/19



sp

Refrigerador Side-by-Side

Fuente de alimentación: 115 V
Frecuencia: 60 Hz
Capacidad: 26.3 cu. ft.

Advertencia:
Antes de utilizar este producto, lea atentamente este manual y guárdelo para consultarlo posteriormente. El diseño y las especificaciones están sujetos a cambios sin previo aviso para mejoras de los productos. Consulte con su distribuidor o fabricante para obtener detalles.

version A - 10 - 2020

MANUAL DE USUARIO



¡Extensión gratuita de 3 meses del período original de la garantía limitada! *Simplemente envíe una foto de su comprobante de compra al:

1-844-224-1614

*La extensión de la garantía es por los tres meses inmediatamente posteriores a la finalización del período de la garantía original del producto.

NÚMERO DE MODELO MRS26D5AST
www.midea.com

Estimado usuario

GRACIAS y FELICITACIONES por haber comprado este producto Midea de alta calidad. Su refrigerador Midea está diseñada para un rendimiento confiable y sin problemas. Dedique un momento a registrar su nuevo refrigerador.

Registre su nuevo refrigerador en **www.midea.com** haciendo clic en la solapa **Support** (Soporte).

Para futuras consultas, tome nota del modelo de su producto y los números de serie ubicados sobre el compartimiento del compresor, en la parte trasera del refrigerador.

Número de modelo _____

Número de serie _____

SEGURIDAD DEL REFRIGERADOR.....	3
REQUISITOS PARA EL FUNCIONAMIENTO	7
Requisitos de Ubicación	7
Requisitos eléctricos	8
Requisitos del Suministro de Agua	9
CARACTERÍSTICAS Y PIEZAS.....	10
INSTALACIÓN	11
Desempacar.....	11
Desmontaje de la Puerta (solo si es necesario).....	11
Conexión al agua	14
Mover a la ubicación final.....	17
Instalación del filtro de agua.....	18
Alineado de las puertas (en caso de necesitarlo).....	21
Nivelar el refrigerador.....	22
ANTES DE USAR.....	22
Período de espera	22
Limpieza.....	23
USO DEL REFRIGERADOR.....	23
General	23
Controles	24
Máquina de hielo.....	27
Modos de control del dispensador.....	28

Bandeja antigoteo.....	29
CUIDADO DEL REFRIGERADOR	30
Limpieza.....	30
Mudanza.....	31
Almacenamiento.....	31
Reemplazo de luces	31
RESOLUCIÓN DE PROBLEMAS.....	32
General	32
Hielo y agua.....	35
Códigos de error.....	36
HOJA DE DATOS DE RENDIMIENTO.....	39
GARANTÍA.....	40

SEGURIDAD DEL REFRIGERADOR

SU SEGURIDAD Y LA SEGURIDAD DE LOS DEMÁS SON MUY IMPORTANTES

Para prevenir lesiones del usuario y otras personas y daños materiales, se deben seguir las instrucciones que se muestran debajo. El funcionamiento incorrecto por ignorar las instrucciones puede causar daños o heridas, e incluso la muerte.

El nivel de riesgo se muestra según las siguientes indicaciones.



Este símbolo indica la posibilidad de muerte o heridas graves.



Este símbolo indica la posibilidad de lesiones o daños a la propiedad.



Este símbolo indica que existe la posibilidad de voltaje peligroso con un riesgo de descarga eléctrica, lo que puede provocar la muerte o heridas graves.

INSTRUCCIONES IMPORTANTES DE SEGURIDAD

ADVERTENCIA

SEGURIDAD GENERAL DEL ELECTRODOMÉSTICO

- Lea todas las advertencias de seguridad, instrucciones, ilustraciones y especificaciones provistas con este electrodoméstico. El incumplimiento de todas las instrucciones que se enumeran a continuación puede provocar descargas eléctricas, incendios y/o lesiones graves.
- Guarde todas las advertencias e instrucciones para futuras referencias.

SEGURIDAD ELÉCTRICA

- Enchufe en un tomacorriente de 3 clavijas con conexión a tierra.
- No quite el enchufe de conexión a tierra.
- No use un adaptador.
- Desconecte el cable de alimentación sujetando el enchufe, nunca tirando del cable.
- No encienda ni apague el electrodoméstico enchufando o desenchufando el cable de alimentación.
- No utilice un cable de extensión.
- Desconecte el refrigerador antes de limpiarlo o descongelarlo.

NOTA: No es posible desconectar la alimentación del refrigerador a través de ninguno de los ajustes del panel de control.

Requisito de conexión a tierra

- Este refrigerador debe estar conectado a tierra. Este refrigerador está equipado con un enchufe de conexión a tierra. El enchufe debe insertarse en un tomacorriente que esté correctamente instalado y conectado a tierra.
- El uso incorrecto del enchufe de conexión a tierra puede provocar un riesgo de descarga eléctrica. Consulte a un electricista o técnico calificado si las instrucciones de conexión a tierra no se entienden completamente o si existen dudas sobre si el refrigerador está conectado a tierra correctamente.

SEGURIDAD DE LA UBICACIÓN

- Este refrigerador está diseñado para usarse en entornos domésticos y similares.
- Haga la instalación conforme a las instrucciones del fabricante.

- Este refrigerador no debe estar empotrado o incorporado en un gabinete cerrado. Está diseñado para la instalación independiente solamente.
ADVERTENCIA - Mantenga las aberturas de ventilación, en el refrigerador, libres de obstrucciones.
- Al mover el refrigerador, tenga cuidado de no enredar o dañar el cable de alimentación.
- No lo instale cerca de fuentes de calor, como radiadores, registradores de calor, estufas, otros aparatos de cocina o bajo la luz solar directa.
- Mantenga cualquier material y vapores inflamables, como gasolina, lejos del refrigerador.

SEGURIDAD SOBRE USO Y CUIDADO

- Se ha utilizado un refrigerante inflamable. Siga cuidadosamente las instrucciones de manejo. Existe riesgo de incendio o explosión debido a la perforación de la tubería del refrigerante.
- Se ha utilizado un refrigerante inflamable. No utilice dispositivos mecánicos para descongelar el congelador. No perfore la tubería del refrigerante.
- No almacene ni use gasolina ni ningún líquido inflamable dentro o cerca de este refrigerador.
- Sírvase de dos o más personas para mover e instalar el refrigerador.
- Conecte el refrigerador a un suministro de agua potable para uso exclusivo del dispensador y la máquina de hielo.
- Este electrodoméstico no está destinado a ser utilizado por personas (incluidos niños) con capacidades físicas, sensoriales o mentales reducidas, o por falta de experiencia y conocimiento, a menos que hayan sido supervisados o instruidos sobre el uso del electrodoméstico por una persona responsable de su seguridad.
- Los niños deben ser supervisados para asegurarse que NO jueguen con el electrodoméstico.
- Mantenga los dedos fuera de los “punto de compresión”. Los espacios libres entre las puertas y entre las puertas y el armario son necesariamente estrechos. Tenga cuidado al cerrar las puertas cuando haya niños cerca.
- No utilice aparatos eléctricos dentro del compartimento donde se almacenan los alimentos, a menos que sean recomendados por el fabricante.
- No toque el interior del congelador con las manos mojadas. Esto podría dar lugar a una quemadura por congelación.
- Use un limpiador no inflamable. Limpie solo con un paño húmedo.
- En refrigeradores con máquina de hielos automáticas, evite el contacto con las partes móviles del mecanismo eyector o con el elemento calefactor que libera los cubitos. No coloque los dedos ni las manos sobre el mecanismo automático de la máquina de hielo mientras el refrigerador esté enchufado.

- No utilice aparatos eléctricos en la parte superior del refrigerador, a menos que sean del tipo recomendado por el fabricante.
- No coloque objetos pesados en la parte superior del refrigerador, ya que podrían caerse al abrir y cerrar las puertas.
- No almacene en el congelador cerveza, bebidas u otros líquidos contenidos en botellas o recipientes sellados. Las botellas o recipientes pueden agrietarse debido al congelamiento.

SEGURIDAD DE SERVICIO

- Desconecte la corriente antes de realizar el servicio.
- Se ha utilizado un refrigerante inflamable. Para ser reparado solo por personal de servicio capacitado. No perforar la tubería del refrigerante.
- Remita todo el servicio al personal de servicio calificado. No repare ni reemplace ninguna parte de este electrodoméstico a menos que se recomiende específicamente en este manual. El servicio se requiere cuando el electrodoméstico se ha dañado de alguna manera, por ejemplo: el cable de alimentación o el enchufe está dañado, se ha derramado líquido o han caído objetos dentro del dispositivo, el aparato ha estado expuesto a la lluvia o la humedad, no funciona normalmente, o se ha caído.
- Si el cable de alimentación está dañado, debe ser reemplazado por el fabricante, su agente de servicio o una persona con calificaciones similares, para evitar un peligro.
- Si la pieza del componente está dañada, debe ser reemplazada por el fabricante, su agente de servicio o personas con calificaciones similares para evitar un peligro.
- Reemplace todas las partes y paneles antes de poner en funcionamiento.

GUARDE ESTAS INSTRUCCIONES

ESTE ELECTRODOMÉSTICO ES SOLO PARA USO DOMÉSTICO

Advertencias de la “Proposition 65” del estado de California:



ADVERTENCIA: Riesgos de cáncer y daños al sistema reproductivo: www.P65Warnings.ca.gov.

ELIMINACIÓN ADECUADA

ADVERTENCIA

Peligro de asfixia

Antes de tirar su refrigerador viejo:

- Quite las puertas y los cajones para que los niños no puedan esconderse o quedar atrapados dentro de su viejo electrodoméstico.
- Deje los estantes en su lugar para que los niños no puedan entrar fácilmente.
- El incumplimiento de estas instrucciones puede provocar la muerte o daño cerebral.

IMPORTANTE: El refrigerante y el material espumoso de ciclopentano utilizado para el aparato son inflamables. Es responsabilidad del consumidor cumplir con las regulaciones federales y locales al desechar este producto. Los refrigerantes deben ser evacuados por un técnico de refrigerantes certificado y reconocido por la Agencia de Protección Ambiental (EPA por sus siglas en inglés), de acuerdo con los procedimientos establecidos.

REQUISITOS PARA EL FUNCIONAMIENTO

REQUISITOS DE UBICACIÓN

ADVERTENCIA

Peligro de explosión e incendio

- Mantenga los materiales y vapores inflamables, como la gasolina, lejos del electrodoméstico.
- El incumplimiento de estas instrucciones puede provocar la muerte, explosión o incendio.

Este refrigerador está diseñado para para la instalación independiente, y no debe estar empotrado o incorporado.

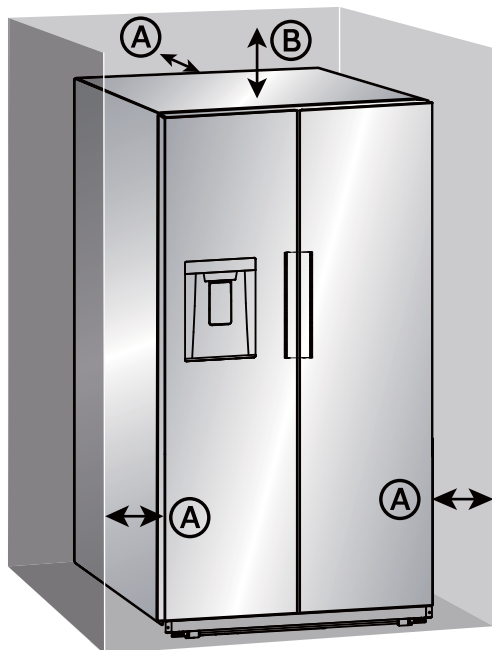
- Coloque el refrigerador en un piso que esté nivelado y lo suficientemente fuerte como para sostener el refrigerador cuando esté completamente cargado.
- Coloque el refrigerador donde haya acceso a la conexión eléctrica requerida. Consulte “Requisitos eléctricos”.
- Ubique el refrigerador lejos de la luz solar directa y las fuentes de calor, como una estufa, un calentador o un radiador.

NOTAS:

- La luz solar directa puede afectar el recubrimiento acrílico y las fuentes de calor pueden aumentar el consumo eléctrico.
- Las temperaturas extremadamente frías también pueden impedir que el refrigerador funcione correctamente.

- Evite ubicar el refrigerador en áreas con alta humedad.
- Se requiere una circulación de aire adecuada para una operación eficiente. Mantenga la separación recomendada para asegurar una circulación de aire adecuada.

ESPACIOS RECOMENDADOS



Ⓐ Área trasera y laterales: 3" (7.6 cm)

Ⓑ Área superior: 3" (7.6 cm)

NOTA: Si coloca el refrigerador junto a una pared fija, deje suficiente espacio en el lado de la bisagra para que la puerta se abra.

REQUISITOS ELÉCTRICOS

⚠ ADVERTENCIA

Peligro de choque eléctrico

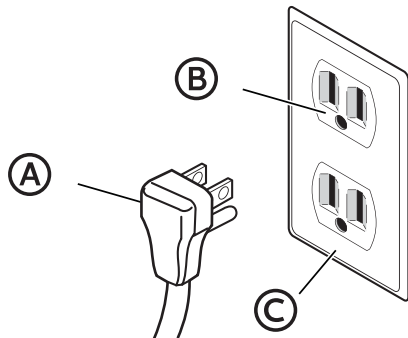
- Enchufe en un tomacorriente de 3 clavijas con conexión a tierra.
- No quite la clavija de conexión a tierra del enchufe del cable de alimentación.
- No use un adaptador.
- No utilice un cable de extensión.
- El incumplimiento de estas instrucciones puede provocar la muerte, incendio o descarga eléctrica.

IMPORTANTE: Se requiere una fuente de alimentación eléctrica de 115 voltios, 60 Hz, de CA solamente, con fusible de 15 amperios y con conexión a tierra.

- Use un tomacorriente que permita la clavija de conexión a tierra.

NOTA: El cable de alimentación está equipado con un enchufe de 3 clavijas (con conexión a tierra) que se acopla a un tomacorriente eléctrico estándar de 3 clavijas (con conexión a tierra).

- Recomendamos que el refrigerador esté enchufado a un circuito eléctrico que sirva SOLAMENTE a este aparato.
- Use un tomacorriente que no pueda apagarse con un interruptor o cadena de tiro.
- NO utilice un cable de extensión.



- Ⓐ Enchufe de 3 clavijas
- Ⓑ Receptáculo de 3 clavijas
- Ⓒ Tapa de la caja del receptáculo

REQUISITOS DEL SUMINISTRO DE AGUA

Se requiere un suministro de agua fría con una presión de agua entre 30 y 100 psi (207 y 689 kPa) para operar la fábrica de hielo. Si tiene preguntas sobre la presión de agua, llame a un plomero calificado y con licencia.

IMPORTANTE: La operación fuera del rango de presión del agua puede causar un funcionamiento defectuoso y fugas de agua graves y perjudiciales.

NOTA: Si la presión del agua es menor que la requerida, los cubitos de hielo podrían tener forma hueca o irregular.

Abastecimiento de agua por ósmosis inversa (si es aplicable)

IMPORTANTE: La presión del suministro de agua que sale de un sistema de ósmosis inversa que va a la válvula de entrada de agua del refrigerador debe estar entre 30 y 100 psi (207 y 689 kPa).

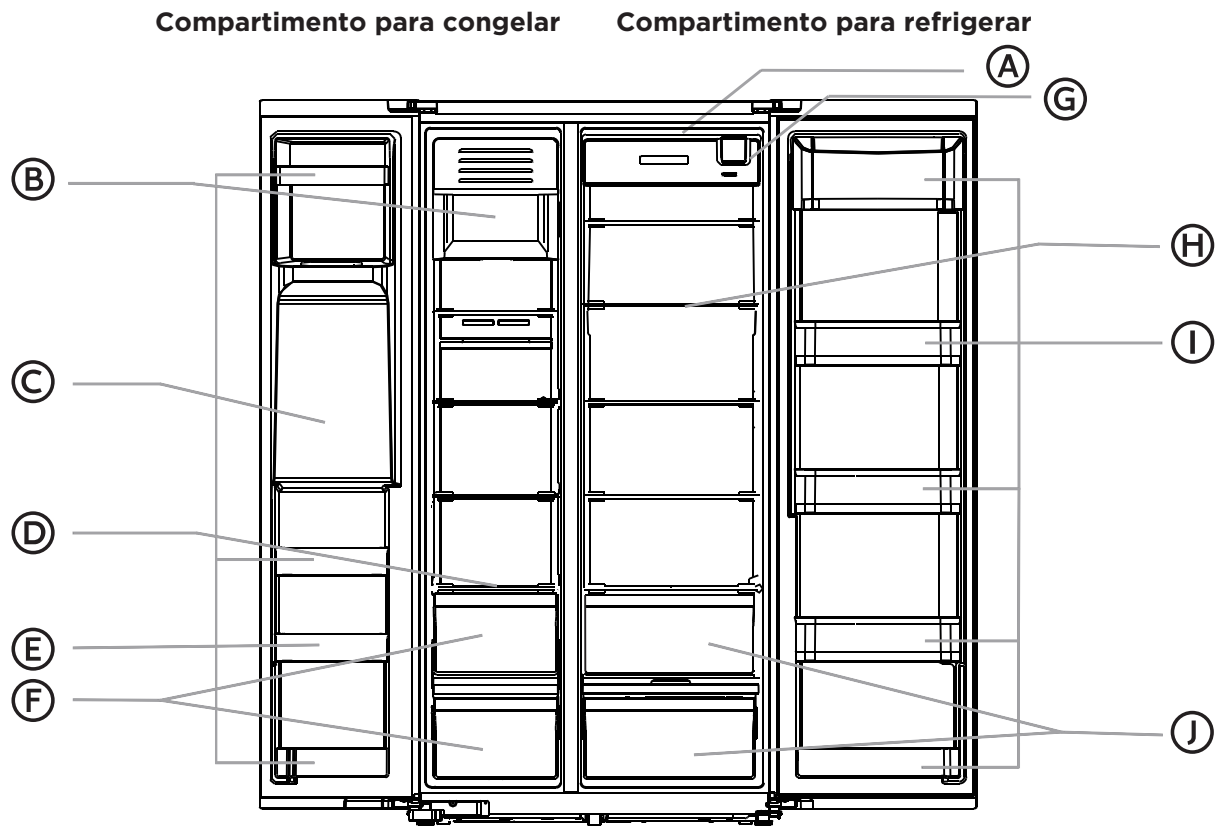
Si la presión del agua es demasiado baja:

Compruebe si el filtro de sedimentos en el sistema de ósmosis inversa está bloqueado. Reemplace el filtro si es necesario.

Permita que el tanque de almacenamiento en el sistema de ósmosis inversa se llene después de un uso intenso. La capacidad del tanque podría ser demasiado pequeña para cumplir con los requisitos del refrigerador.

Si su refrigerador tiene un filtro de agua, el filtro podría reducir aún más la presión del agua si lo usa junto con un sistema de ósmosis inversa. Retire el filtro de agua.

CARACTERÍSTICAS Y PIEZAS



- | | | |
|--------------------------------|------------------------|------------------------|
| Ⓐ Luz LED | Ⓓ Repisa de vidrio | Ⓔ Filtro de agua |
| Ⓑ Bandeja para almacenar hielo | Ⓔ Bandeja de la Puerta | Ⓕ Repisa de vidrio |
| Ⓒ Dosificador de agua/hielo | Ⓖ Bandeja del cajón | Ⓖ Bandeja de la Puerta |
| | | Ⓙ Bandeja del cajón |

SPECIFICATIONS

Dimensiones (An. x Prof. x Al.):	35,8" x 33,9" x 69,9" (91 x 86 x 178 cm)
Ancho con la puerta abierta 90°	40,9" (104 cm)
Ancho con la puerta abierta 135°	61,4" (156 cm)
Peso	284 lbs. (129 kg)
Requerimientos de energía	115 V ~ 60 Hz, 15A requerimiento mínimo
Longitud del cable de alimentación	66.9" (170 cm)

INSTALACIÓN

DESEMPACAR

ADVERTENCIA

Peligro de explosión o incendio

- No perforo la tubería del refrigerante.
- Siga cuidadosamente las instrucciones de manejo.
- Se ha utilizado un refrigerante inflamable.
- El incumplimiento de estas instrucciones puede provocar la muerte, explosión o incendio.

IMPORTANTE: Retire TODOS los materiales de empaque exterior e interior, incluido el empaque de espuma entre el condensador exterior y la carcasa del refrigerador.

DESMONTAJE DE LA PUERTA (SOLO SI ES NECESARIO)

Mida el refrigerador para asegurarse que pase por la puerta. Si el refrigerador no puede pasar fácilmente por la puerta, siga las instrucciones para quitar las dos puertas del compartimiento del refrigerador y los paneles frontales de los cajones de temperatura flexible y del congelador.

ADVERTENCIA

Peligro de Choque Eléctrico

- Desconecte el suministro de energía antes de sacar las puertas.
- Vuelva a conectar el cable de tierra antes de operar.
- No seguir esta instrucción puede ocasionar la muerte o choque eléctrico.

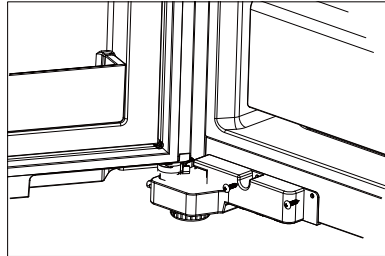
HERRAMIENTAS NECESARIAS

- Destornillador Phillips
- Llave de cubo de 8 mm

RETIRAR LAS PUERTAS

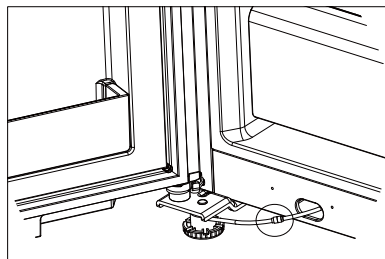
INFORMACIÓN IMPORTANTE: Mantenga las puertas del refrigerador cerradas hasta que esté listo para levantarlas del gabinete.

1. Retire los tornillos de la cubierta de la bisagra inferior y la cubierta de la bisagra del congelador.

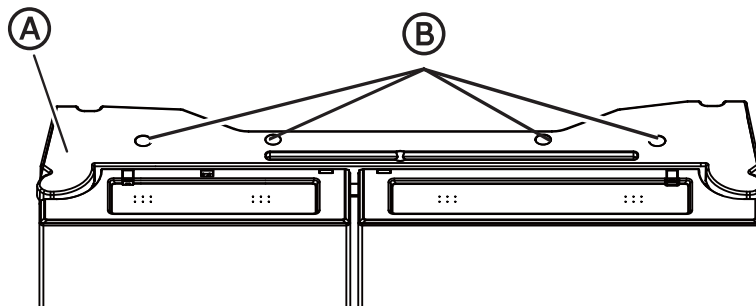


2. Extraiga la arandela de retención del conector de la tubería de agua y tire de la tubería de agua de la puerta del congelador del conector rápido.

Nota: Tenga en cuenta que el conector rápido no puede dejarse en el extremo de la tubería de agua de la puerta.

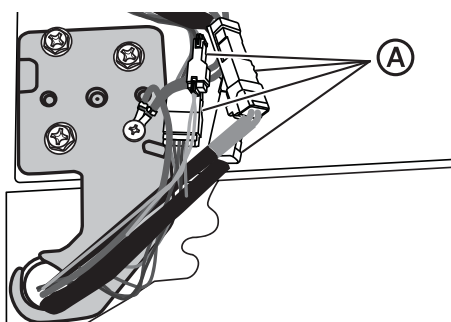


3. Con un destornillador Phillips, retire los cuatro tornillos que fijan la cubierta de la bisagra a la parte superior del gabinete.



- (A) Cubierta de la bisagra
- (B) Tornillos

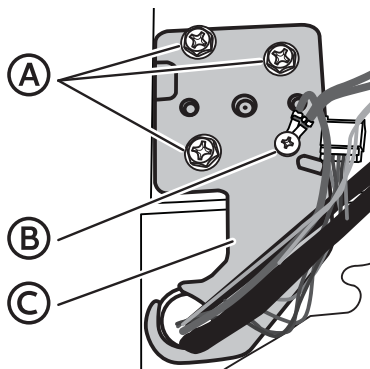
4. Levante lentamente la cubierta de la bisagra, manteniendo los arneses de cables conectados.
5. Desconecte los siete arneses de cables presionando el pestillo de liberación en cada conector del arnés de cables y luego separando los extremos (solamente la bisagra de la puerta izquierda).



- (A) Arneses de cables

Seguridad del Refrigerador
Requisitos para el Funcionamiento
Características y Piezas
Instalación
Antes de Usar
Uso del Refrigerador
Cuidado del Refrigerador
Resolución de Problemas

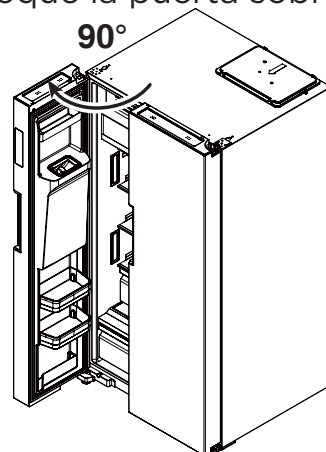
6. Con una llave de tubo de 8 mm, retire los tres tornillos de la bisagra.
7. Con un destornillador Phillips, retire el tornillo de conexión a tierra (puerta izquierda del congelador).



- (A) Tornillos de la bisagra
- (B) Tornillo de conexión a tierra
- (C) Bisagra superior

NOTA: Proporcione soporte adicional para la puerta mientras retira la bisagra. No dependa de los imanes de la junta de la puerta para mantenerla en su lugar mientras trabaja.

8. Retire la bisagra superior izquierda de la puerta del congelador.
9. Con ambas manos, gire lentamente la puerta hasta que se abra en un ángulo de 90° con respecto al gabinete y luego levante la puerta de la bisagra inferior. Coloque la puerta sobre una superficie blanda para proteger el acabado.



10. Repita este procedimiento para retirar la puerta derecha del refrigerador.

REEMPLAZAR LAS PUERTAS

NOTA: El pasador de la bisagra se extiende desde el borde inferior de la puerta.

1. Inserte el pasador de la bisagra en la abertura de la bisagra inferior.
2. Inserte la bisagra superior en la parte superior de la puerta.
3. Con los tornillos de la bisagra que retiró anteriormente, ajuste la bisagra superior a la parte superior del gabinete.
4. Vuelva a colocar el tornillo de conexión a tierra (puerta izquierda).
5. Vuelva a conectar el tubo de agua.
6. Vuelva a colocar la puerta izquierda siguiendo los pasos 1 a 3.
7. Con los cuatro tornillos que retiró anteriormente, fije la cubierta de la bisagra a la parte superior del gabinete.

CONEXIÓN AL AGUA

Se requiere un suministro de agua fría con una presión de entre 30 y 100 psi (207 y 689 kPa) para hacer funcionar el dispensador de agua y la máquina de hielo. Si tiene preguntas sobre la presión del agua, consulte con un plomero calificado y con licencia.

IMPORTANTE:

- El refrigerador debe conectarse únicamente a tomas de agua potable.
- La plomería debe instalarse de acuerdo con el Código Internacional de Plomería y todos los códigos y ordenanzas locales.

Conectar la línea de agua

Reúna las herramientas y piezas necesarias antes de comenzar la instalación.

- Destornillador de punta plana
- Llave de ½" o 2 llaves ajustables
- Taladro inalámbrico
- Broca de tala dro de ¼"
- Tuerca de compresión de ¼"
- Contera

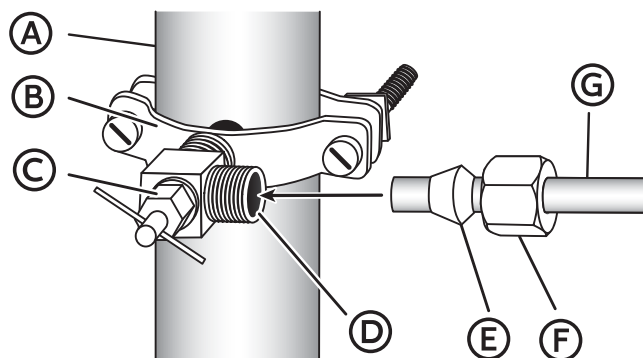
1. Busque una tubería de agua fría vertical de ½" a 1¼" (12,7 mm a 31,8 mm) cerca del refrigerador.

IMPORTANTE: Asegúrese que sea una tubería de agua fría.

NOTA: Una tubería horizontal funcionará, pero se debe seguir el siguiente procedimiento: Perfore en la parte superior de la tubería, no en la parte inferior. Esto ayudará a mantener el agua alejada del taladro. Esto también evita que los sedimentos normales se acumulen en la válvula.

2. Determine la longitud de la tubería de cobre que necesita. Mida desde la conexión en la parte posterior del refrigerador hasta la tubería de agua. Añada 2,1 m (7 pies) para permitir espacio suficiente para la limpieza del área. Utilice una tubería de cobre de ¼" (6,35 mm) de diámetro exterior. Asegúrese de que ambos extremos de la tubería de cobre estén cortados a escuadra.

3. Con un taladro inalámbrico, taladre un orificio de $\frac{1}{4}$ " en la tubería de agua fría que ha seleccionado.
4. Sujete la válvula de cierre a la tubería de agua fría con la abrazadera para tubería. Asegúrese que el extremo de la salida esté sólidamente en el orificio de $\frac{1}{4}$ " taladrado en la tubería de agua y que la arandela esté por debajo de la abrazadera para tubería.
5. Apriete la tuerca de empaque. Apriete los tornillos de la abrazadera de la tubería lenta y uniformemente para que la arandela haga un sello hermético. No apriete demasiado.



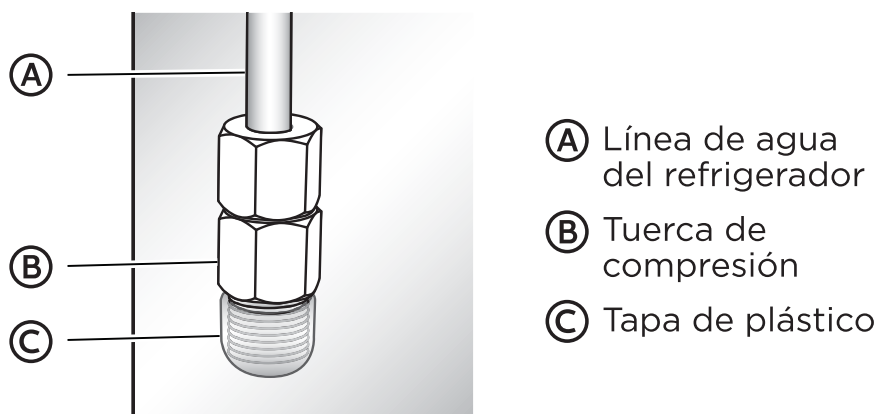
- | | |
|---------------------------------|------------------------------------|
| Ⓐ Línea de suministro del hogar | Ⓔ Férula (manguito) |
| Ⓑ Válvula tipo silleta | Ⓕ Tuerca de compresión |
| Ⓒ Tuerca de empaque | Ⓖ Línea de agua de $\frac{1}{4}$ " |
| Ⓓ Válvula de cierre | |

6. Deslice el manguito de compresión y la tuerca de compresión en la tubería de cobre como se muestra. Inserte el extremo del tubo en el extremo de salida de forma recta hasta donde llegue. Atornille la tuerca de compresión en el extremo de salida con una llave ajustable. No apriete demasiado o puede aplastar la línea de agua.

7. Coloque el extremo libre del tubo en un recipiente o fregadero y luego ENCIENDA el suministro de agua principal. Enjuague el tubo hasta que el agua salga limpia. APAGUE la válvula de cierre de la tubería de agua.

Para conectar la línea de agua al refrigerador

1. Desenchufe el refrigerador o desconecte la corriente.
2. Cierre la válvula de cierre.
3. Enrosque una tuerca de compresión de cobre y una férula (manguito) en el extremo libre de la línea de agua.
4. Retire la tapa de plástico del extremo de la línea de agua del refrigerador.



5. Inserte la línea de agua directamente en el accesorio del extremo de la línea de agua del refrigerador. Apriete la tuerca de compresión. No apriete en exceso.
6. Compruebe que la conexión está fija tirando suavemente de la línea de agua.
7. Encienda el suministro de agua al refrigerador y verifique que no haya fugas. Corrija cualquier fuga (si las hubiera).

Complete la instalación

ADVERTENCIA

Peligro de Choque Eléctrico

- Conecte a un contacto de pared de conexión a tierra de 3 terminales.
- No quite el terminal de conexión a tierra del cable de alimentación.
- No use un adaptador.
- No use un cable eléctrico de extensión.
- No seguir estas instrucciones puede ocasionar la muerte, incendio o choque eléctrico.

1. Conecte a un contacto de pared de conexión a tierra de 3 terminales.

NOTA: Este refrigerador comienza a funcionar tan pronto como se conecta a la fuente de alimentación.

2. Mueva el refrigerador a su ubicación definitiva, asegurándose de mantener el espacio libre recomendado.

MOVER A LA UBICACIÓN FINAL

ADVERTENCIA

Peligro de explosión o Incendio

- No perforo la tubería del refrigerante.
- Siga cuidadosamente las instrucciones de manejo.
- Se ha utilizado un refrigerante inflamable.
- El incumplimiento de estas instrucciones puede provocar la muerte, explosión o incendio.

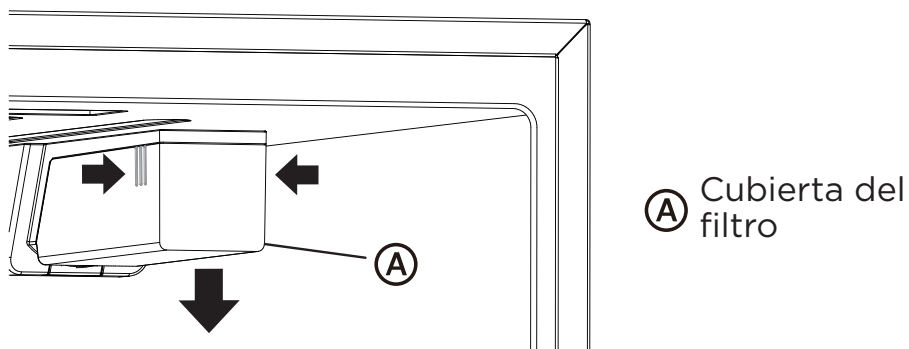
IMPORTANTE:

- Si el refrigerador ha estado en una posición horizontal durante un período de tiempo, espere 24 horas para permitir que el refrigerante se asiente antes de enchufarlo.
- Al mover el refrigerador, NO lo incline más allá de 45° desde la posición vertical.
NOTA: Si inclina el refrigerador más de 45°, podría dañar el compresor y el sistema sellado.
- Evite ejercer presión excesiva en las puertas o la parte superior cuando mueva el refrigerador.

INSTALACIÓN DEL FILTRO DE AGUA

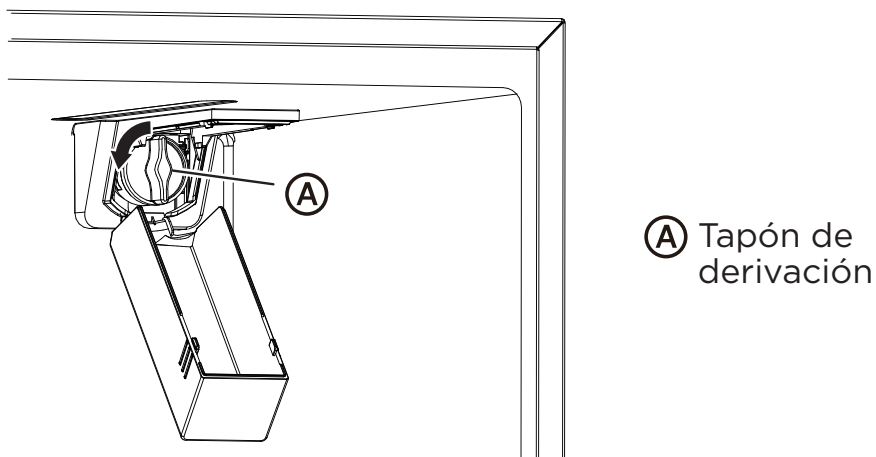
RETIRE EL TAPÓN DE DERIVACIÓN

1. Cierre el suministro de agua al refrigerador.
2. Apriete los lados de la tapa del filtro donde está marcado, y luego tire hacia abajo para abrir la tapa.



3. Gire el tapón de derivación en sentido antihorario y luego tire hacia afuera para extraerlo.

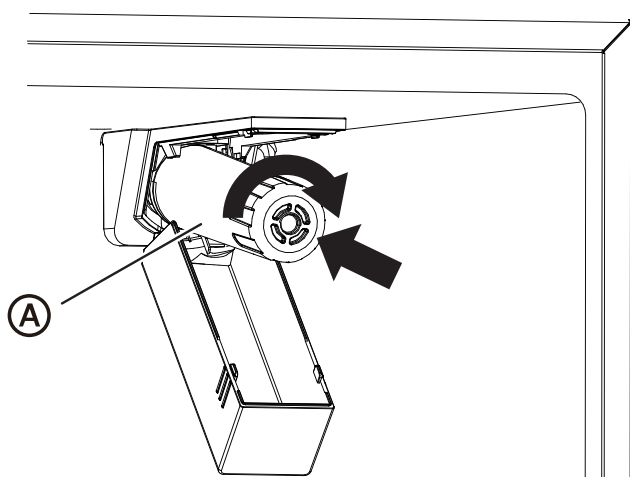
IMPORTANTE: Conserve el tapón de derivación para su uso posterior. La heladera y el dispensador no funcionarán a menos que se haya instalado correctamente un filtro de agua o el tapón de derivación.



INSTALACIÓN DEL FILTRO DE AGUA

4. Saque el filtro de agua de su empaque y luego retire la tapa de plástico transparente del cabezal del filtro.
5. Alinee las lengüetas del cabezal del filtro con las muescas de la abertura y luego inserte el filtro de agua en la abertura. Presione hacia adentro, mientras gira el filtro en sentido horario para instalarlo.

NOTA: La carcasa permite que el filtro se mueva ligeramente hacia arriba y hacia abajo.



Ⓐ Filtro de agua

6. Abra el suministro de agua al refrigerador.
7. Cierre la tapa del filtro.

REEMPLAZO DEL FILTRO DE AGUA

El ícono del filtro de agua en el panel de control se iluminará después de más de 150 días para indicar que es hora de pedir un filtro de agua de repuesto. Después de más de 180 días, el ícono se iluminará y parpadeará para indicar que es hora de reemplazar el filtro de agua.

1. Cierre el suministro de agua al refrigerador.
2. Gire el filtro de agua en sentido antihorario y luego tire hacia afuera para extraerlo.

3. Instale un nuevo filtro de agua siguiendo los pasos 4 a 7 de la sección anterior.
4. Mantenga presionado el control del filtro de agua durante 3 segundos para borrar y restablecer el reloj de estado del filtro.

NOTA: La luz se apagará y sonarán 3 pitidos.

PURGA DEL SISTEMA DE AGUA

Después de instalar el filtro de agua de repuesto, es importante eliminar el aire de la línea de agua para que el agua no gotee fuera del dispensador de agua.

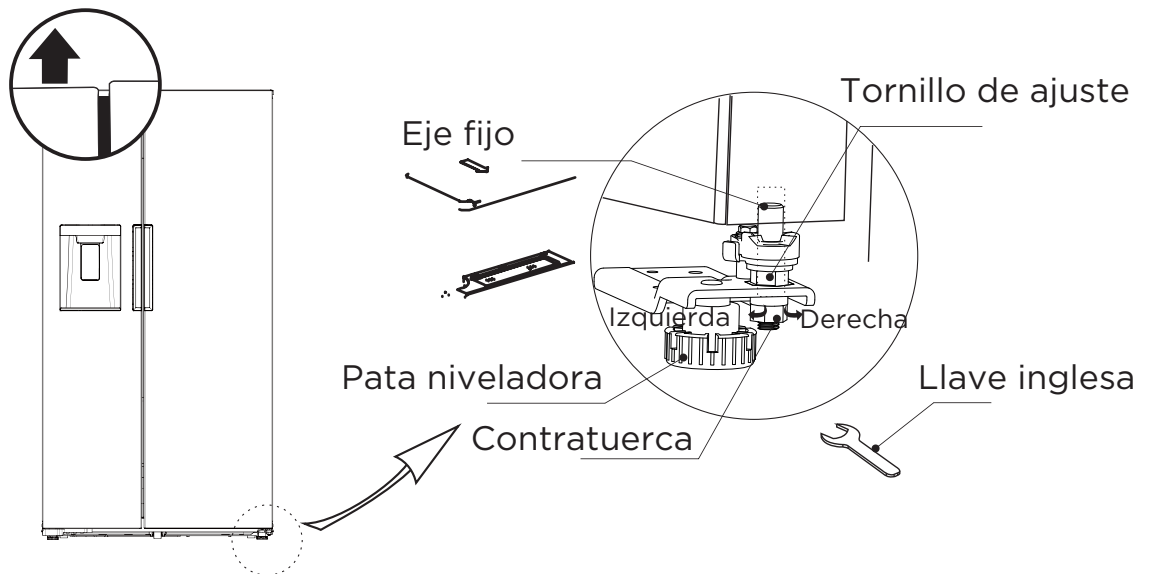
1. Encienda el suministro de agua.
2. Dispense 2,5 galones de agua (la purga se debe hacer durante aproximadamente 5 minutos) para sacar el aire atrapado y los contaminantes fuera del sistema.

NOTA: No dispense la cantidad completa de 2,5 galones de forma continua. Presione y suelte la lengüeta del dispensador en ciclos de 30 segundos en ENCENDIDO y 60 segundos en APAGADO. En algunos hogares, es posible que se requiera una purga adicional.

3. Abra la puerta del refrigerador para asegurarse de que no haya fugas de agua provenientes del filtro de agua.

ALINEADO DE LAS PUERTAS (EN CASO DE NECESITARLO)

La alineación o el ajuste de las puertas se pueden realizar en los modelos de refrigeradores de lado a lado.



1. Localice el tornillo de ajuste que está ubicado por debajo de la esquina inferior de la puerta del refrigerador.
2. Afloje la contratuerca rotando en sentido de las manecillas del reloj; después gire el tornillo de ajuste en sentido de las manecillas del reloj para levantar o en contra para bajar la puerta.
3. Después de una o dos vueltas con la llave inglesa, abra y cierre la puerta del refrigerador y revise la alineación en la parte superior de las puertas.
4. Apriete la contratuerca girándola en sentido contrario a las manecillas del reloj.

Nota: Si es necesario, repita los pasos anteriores. hasta que las puertas estén alineadas.

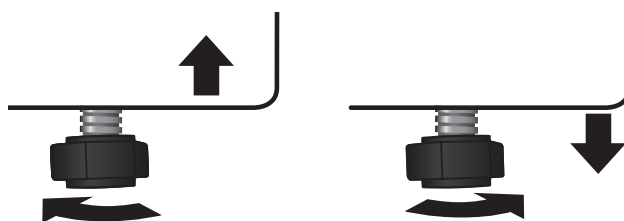
NIVELAR EL REFRIGERADOR

IMPORTANTE: Nivele el refrigerador para un funcionamiento correcto y para evitar problemas de enfriamiento, escarcha y humedad que pueden ocurrir cuando la puerta no cierra correctamente.

1. Mueva el refrigerador a su ubicación final. Consulte “Mover a la ubicación final”.
2. Coloque un nivel de carpintero en la parte superior del gabinete para verificar que el refrigerador esté nivelado de lado a lado y ligeramente inclinado hacia abajo, hacia atrás. Si el refrigerador no está nivelado, vaya a los pasos 3 y 4 para ajustar.

NOTA: Las puertas se cerrarán más fácilmente cuando el frente del refrigerador esté un poco más alto que la parte posterior del refrigerador.

3. Ajuste las dos patas niveladoras (una pata ubicada en cada una de las dos esquinas delanteras de la carcasa del refrigerador), hasta que el refrigerador esté nivelado.
4. Con una persona presionando contra la parte superior frontal del refrigerador para quitar peso de las patas niveladoras, la otra persona puede girar las patas niveladoras para ajustar la altura de cada lado.
5. Utilice el nivel del carpintero para comprobar el nivel y la inclinación.



Para levantar - Gire las patas niveladoras hacia la derecha.

Para bajar - Gire las patas niveladoras hacia la izquierda.

ANTES DE USAR

PERÍODO DE ESPERA

- Antes de enchufar el refrigerador a un tomacorriente eléctrico de 3 clavijas con conexión a tierra, déjelo en posición vertical durante aproximadamente 2 horas.

NOTA: Esto reduce la posibilidad de un mal funcionamiento en el sistema de enfriamiento por un manejo inadecuado durante la transportación.

- Permita que el refrigerador se enfríe durante 2 a 3 horas antes de almacenar alimentos.

LIMPIEZA

1. Lave el interior del refrigerador con un paño suave humedecido con una solución de bicarbonato de sodio (2 cucharadas de bicarbonato de sodio mezclado con 1 litro de agua tibia).
2. Usando un paño suave, seque bien todas las superficies.

USO DEL REFRIGERADOR

GENERAL

- La vida de almacenamiento de los alimentos congelados varía y no se debe exceder el tiempo de almacenamiento recomendado.
- Coloque los alimentos congelados en el refrigerador lo más rápido posible después de la compra.
- No vuelva a congelar alimentos congelados si se han descongelado por completo.

ADVERTENCIA

Peligro de choque eléctrico

- Enchufe en un tomacorriente de 3 clavijas con conexión a tierra.
 - No quite la clavija de conexión a tierra del enchufe del cable de alimentación.
 - No use un adaptador.
 - No utilice un cable de extensión.
 - El incumplimiento de estas instrucciones puede provocar la muerte, incendio o descarga eléctrica.
1. Enchufe el refrigerador en un tomacorriente de 3 clavijas con conexión a tierra
 2. Espere 30 minutos y luego abra la puerta del refrigerador para determinar si el refrigerador está funcionando correctamente.
 3. Coloque los artículos en los compartimentos del refrigerador y del congelador.

CONSEJOS PARA AHORRAR ENERGÍA

- Deje que los alimentos calientes se enfríen a temperatura ambiente antes de colocarlos en el refrigerador. Los alimentos que se congelan muy lentamente pueden perder calidad o echarse a perder.
- La sobrecarga del refrigerador obliga al compresor a funcionar durante más tiempo.
- Envuelva los alimentos adecuadamente y seque los recipientes antes de colocarlos en el refrigerador. Esto reduce la acumulación de escarcha dentro del refrigerador.

- No cubra los estantes del refrigerador con papel de aluminio, papel encerado o papel de toalla. Los revestimientos interfieren con la circulación de aire frío, lo que hace que el refrigerador sea menos eficiente.
- Organice y etiquete los alimentos para reducir las aperturas de las puertas y las búsquedas prolongadas. Retire tantos elementos como sea necesario a la vez, y luego cierre la puerta lo antes posible.
- NO agregue una gran cantidad de alimentos no congelados al refrigerador a la vez. Esto disminuirá la eficiencia de enfriamiento del refrigerador.

CONTROLES

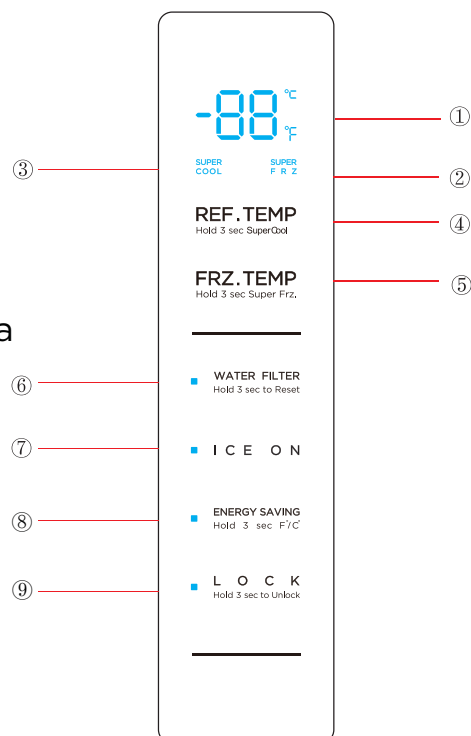
El panel de control está localizado en el lado derecho de la puerta del refrigerador.

Cuando el refrigerador se enchufa por primera vez al tomacorriente, la pantalla comenzará a iluminarse y desplazarse; después de lo cual los íconos de la pantalla se iluminarán completamente durante 3 segundos y sonará un pitido.

En condiciones normales, si no se abre ninguna puerta o no se presiona ningún control durante 30 segundos, la pantalla se apagará y se bloqueará.

Cuando la pantalla no esté iluminada, presione cualquier control para iluminarla y luego presione y mantenga presionado el botón Despertar **L O C K** durante 3 segundos para desbloquear el panel de control.

- ① Indicador de temperatura
- ② Indicador de Super congelador
- ③ Indicador de Super enfriamiento
- ④ Botón de temperatura del refrigerador
- ⑤ Botón de temperatura del congelador
- ⑥ Indicador y botón de reinicio del filtro de agua
- ⑦ Indicador y botón encendido/apagado de la Fábrica de Hielo
- ⑧ Indicador y botón de Ahorro de Energía
- ⑨ Indicador y botón para Bloqueo/Desbloqueo



(La foto anterior es sólo de referencia. La configuración real estará basada en el producto físico o las declaraciones del distribuidor)

TEMPERATURE

Cuando el refrigerador se enchufa por primera vez a una fuente de alimentación, se mostrarán los ajustes de temperatura predeterminados.

La temperatura de cada compartimento se puede ajustar dentro de su rango especificado.

Compartimento de refrigeración

Ajuste de temperatura predeterminado: 4° C (39° F).




El rango de temperatura para el compartimento de refrigeración es de 1° C a 7° C (34° F a 44° F).

Compartimento de congelación

Configuración de temperatura predeterminada: -18° C (0° F).

El rango de temperatura para el compartimento de congelación es de -22° C a -14° C (-7° F a 7° F).

Para ajustar la temperatura de los compartimentos de refrigeración y/o congelación:

1. Seleccione el compartimento presionando el botón  (temperatura del refrigerador) o el botón  (temperatura del congelador).
2. Presione el botón  o  para subir o bajar la temperatura en incrementos de 1° hasta alcanzar la temperatura deseada.

PANTALLA DE LA UNIDAD DE TEMPERATURA

Las temperaturas del compartimento se pueden ver en grados Celsius (° C) o Fahrenheit (° F).

Mantenga presionados los controles  al mismo tiempo durante 3 segundos para cambiar la pantalla de la unidad de grados Celsius (° C) a Fahrenheit (° F) o viceversa.

CONTROLES DE BLOQUEO/DESBLOQUEO

Para desbloquear los controles:

Mantenga pulsado el botón Despertar L O C K
Hold 3 sec to Unlock durante 3 segundos. Sonará un pitido y la pantalla se iluminará.


Para bloquear los controles:

Mantenga pulsado el botón Despertar L O C K
Hold 3 sec to Unlock durante 3 segundos. Sonará un pitido y la pantalla se apagará.

NOTA: Después de 30 segundos, si no se presiona ningún control, los controles se bloquearán automáticamente.

MODO DE ENFRIAMIENTO RÁPIDO (SUPER COOL)


Mantenga presionado el botón REF. TEMP
Hold 3 sec SuperCool (Temperatura de refrigeración) durante 3 segundos para ingresar al modo de Enfriamiento rápido.

El ícono del compartimento de refrigeración se iluminará en azul  y la temperatura en el compartimento bajará a 1° C (34° F).

Mantenga presionado el botón temperatura de refrigeración nuevamente durante 3 segundos para salir del modo de Enfriamiento rápido. La luz se apagará y la temperatura del compartimento de refrigeración volverá a la temperatura establecida previamente.

MODO DE CONGELACIÓN RÁPIDA (SUPER FREEZE)

Mantenga presionado el botón FRZ. TEMP
Hold 3 sec Super Frz. de congelación durante 3 segundos para ingresar al modo de Congelación rápida.

El ícono del compartimento de congelación se iluminará en azul  y la temperatura en el compartimento bajará a -22° C (-7° F).

Mantenga presionado el botón Temperatura de congelación nuevamente durante 3 segundos para salir del modo de Congelación rápida. La luz se apagará y la temperatura del compartimento de congelación volverá a la temperatura establecida previamente.

MODO DE AHORRO ENERGÉTICO (ENERGY SEVING)

Presione el botón Ahorro energético para entrar y salir del modo de Ahorro energético. Ahorro energético se iluminará para indicar que el modo está activado y se apagará cuando no esté activado.

Cuando se activa el modo de Ahorro energético, la temperatura del compartimento de refrigeración es de 7° C (44° F) y la temperatura del compartimento de congelación es de -14° C (7° F).

Cuando se apaga el modo de ahorro energético, las temperaturas del compartimento de refrigeración y de congelación volverán a las temperaturas previamente establecidas.

NOTA: Si se estableció una temperatura en el modo Congelación rápida o Enfriamiento rápido, se cancelará automáticamente.

MÁQUINA DE HIELO

Máquina de hielo para congelador

Presione el botón **I C E O N** para ENCENDER/PAGAR la máquina de hielo del compartimiento de congelación. Cuando la máquina de hielo del congelador esté encendida, el control se iluminará.

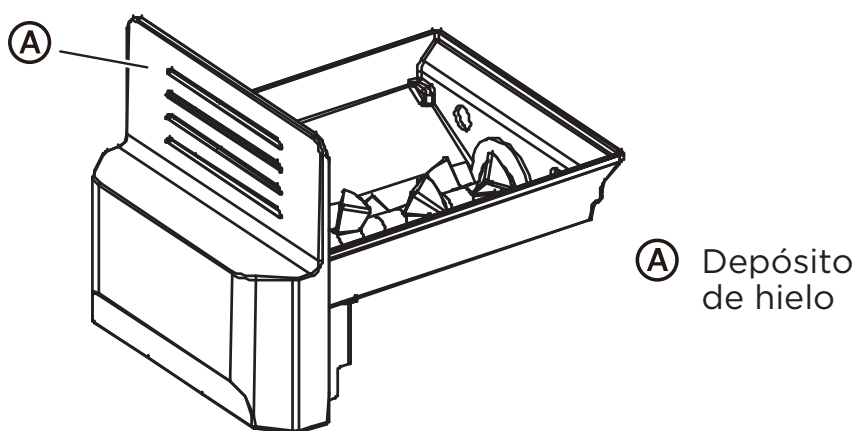
Depósito de hielo del congelador

El depósito de hielo del compartimiento de congelador es extraíble para limpiarlo o vaciarlo cuando se necesita una gran cantidad de cubitos de hielo.

Después de vaciarlo y/o limpiarlo, coloque nuevamente el depósito de hielo inmediatamente. La máquina de hielo seguirá produciendo hielo y los cubos caerán en el depósito de fabricación de hielo si el depósito de hielo no está instalado correctamente.

Para extraer el depósito de hielo:

1. Abra la puerta del refrigerador lo más rápido posible.
2. Agarre el asa del depósito de hielo y extraiga el depósito del compartimento.



Para volver a colocar el depósito de hielo:

1. Retire los cubitos de hielo que puedan haber caído en el compartimento de hielo.
2. Deslice el depósito de hielo en el compartimento.

Modos de control del dispensador

El control del dispensador incorpora iconos LED retroiluminados para determinar el modo de funcionamiento del dispensador. Existen dos modos de visualización entre los que puede elegir, modo de espera y modo activo. Puede cambiar los modos siguiendo las instrucciones a continuación. Como valor predeterminado de fábrica, el control de dispensación está en modo de Espera (Standby Mode).

En el modo de Espera, los iconos del dispensador están ocultos hasta que se activan. Los iconos se pueden activar deslizando el dedo sobre la superficie de control. Los iconos del dispensador se apagarán automáticamente después de 120 segundos. El modo de Espera muestra un aspecto minimalista preferido por algunos usuarios.

En el modo Activo (Active Mode), los iconos del dispensador (cubos, agua, triturado) (Cubed, Water, Crushed) siempre están encendidos. El control utiliza un icono LED más brillante para indicar qué modo de dispensación está seleccionado.

Cambio entre el modo Activo y el modo de Espera: mantenga pulsados los iconos AGUA y TRITURADO durante 3 segundos. El control del dispensador parpadeará durante 2 segundos, confirmando que se cambió el modo.

El dispensador de agua y hielo, ubicado en la parte delantera de la puerta del compartimiento del refrigeración, dispensa agua fría, hielo en cubos o hielo picado.

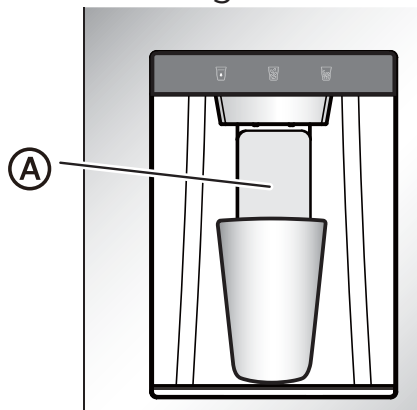


La función de dispensación funcionará solo cuando la puerta del refrigerador esté completamente cerrada.

Cuando el refrigerador se enchufa por primera vez a un tomacorriente, la pantalla de control del dispensador se iluminará durante 3 segundos. El suministro de agua es la opción de suministro predeterminada.

Cuando el refrigerador se conecta por primera vez al agua, es posible que el agua no se dispense si hay aire en la línea de agua.

1. Presione la lengüeta del dispensador durante al menos 5 minutos para eliminar el aire atrapado de la línea de agua y para llenar el sistema de agua. Consulte la "Purga del sistema de agua".



Ⓐ Lengüeta del dispensador


2. Deseche los primeros seis vasos llenos de agua para eliminar las impurezas en la línea de agua.

Luz del dispensador


La luz del dispensador se enciende al dispensar agua y hielo. La luz LED se apagará después de 3 segundos.

Para usar como luz nocturna o extender el tiempo que la luz del dispensador está encendida, presione y mantenga presionados los iconos Agua y Cubos juntos durante 3 segundos. La luz del dispensador se apagará automáticamente después de 12 horas. Para apagarla, mantenga presionados los mismos botones nuevamente durante 3 segundos.


Dispensación de agua

1. Presione el botón Agua (Water) . El indicador de Agua se iluminará.
2. Usando su dedo o un recipiente, presione la lengüeta para dispensar agua.
3. Suelte la lengüeta dispensadora para detener el flujo de agua.

Dispensación de cubitos de hielo

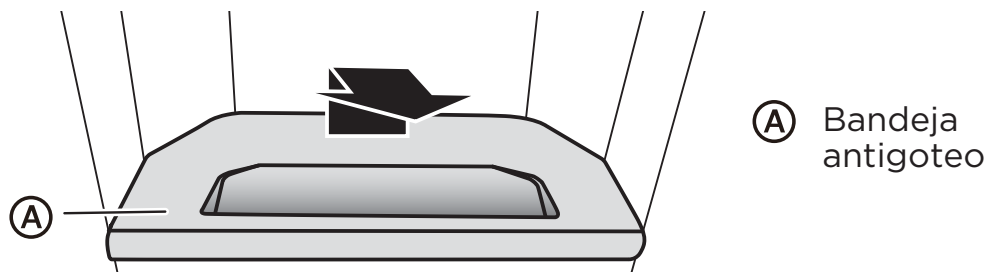
1. Presione el botón Cubos (Cubed) . El indicador Cubos se iluminará.
2. Usando su dedo o un recipiente, presione la lengüeta para dispensar los cubitos.
3. Suelte la lengüeta dispensadora para dejar de dispensar hielo.

Dispensación de hielo triturado

1. Presione el botón Triturado (Crushed) . El indicador Triturado se iluminará.
2. Usando su dedo o un recipiente, presione la lengüeta para dispensar el hielo triturado.
3. Suelte la lengüeta dispensadora para dejar de dispensar hielo.

BANDEJA ANTIGOTEEO

La bandeja de antigoteo es extraíble para facilitar su limpieza.

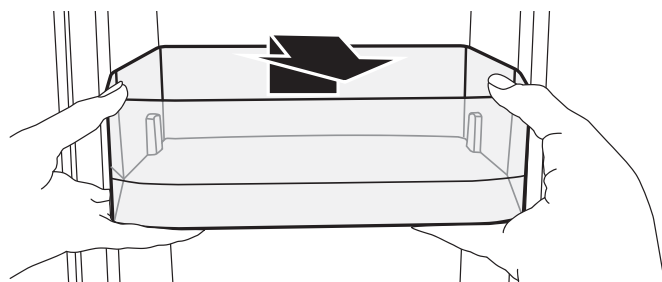


RECIPIENTES EXTRAÍBLES DE LA PUERTA

Los recipientes de la puerta son extraíbles para facilitar la limpieza.

Cómo retirarlos:

1. Retire todos los artículos del recipiente de la puerta.
2. Sujete los lados del recipiente, levántelo y tire de él hacia afuera.



Cómo sustituirlos:

1. Inserte el recipiente en el revestimiento de la puerta por encima del soporte y luego presione hacia abajo para encajarlo.

CUIDADO DEL REFRIGERADOR

El congelador está diseñado para usarlo durante todo el año y requiere una limpieza y un mantenimiento mínimos. Para mantener el congelador funcionando de manera eficiente y sin olores, le recomendamos que lo limpie regularmente.

LIMPIEZA

ADVERTENCIA

Peligro de choque eléctrico

- Desenchufe el aparato o desconecte la corriente antes de limpiarlo.
- El incumplimiento de estas instrucciones puede provocar la muerte, descargas eléctricas o lesiones personales.

ADVERTENCIA

Peligro de explosión

- Use un limpiador no inflamable.
- El incumplimiento de estas instrucciones puede provocar la muerte, explosión o incendio.

IMPORTANTE: Para evitar dañar el acabado, NO use gasolina, bencina, diluyentes u otros solventes, y NO use limpiadores abrasivos.

1. Desconecte el congelador del tomacorriente.
2. Retire toda la comida.
3. Quite y lave los estantes con una solución de detergente suave.
4. Lave el interior del congelador con un paño suave humedecido con una solución de bicarbonato de sodio (2 cucharadas de bicarbonato de sodio mezcladas con 1 litro de agua tibia).
5. Limpie la junta alrededor de la puerta. Limpie suavemente la junta con un paño suave humedecido con una solución de detergente suave.

NOTA: Las juntas deben mantenerse limpias y flexibles para asegurar un sellado adecuado.

6. Usando un paño suave, seque bien todas las superficies.
7. Enchufe o vuelva a conectar la corriente.

MUDANZA

IMPORTANTE: Al mover el refrigerador, NO lo incline más allá de 45° desde la posición vertical.

1. Desconecte el refrigerador del tomacorriente.
2. Retire toda la comida.
3. Asegure con cinta adhesiva todos los artículos sueltos dentro del refrigerador.
4. Asegure con cinta adhesiva la puerta cerrada.

ALMACENAMIENTO

IMPORTANTE: No almacene el refrigerador en un lugar al que puedan acceder los niños.

1. Desconecte el refrigerador del tomacorriente.
2. Retire toda la comida.
3. Limpie el refrigerador.
4. Deje la puerta ligeramente abierta para evitar la posible formación de condensación, moho u olor.

REEMPLAZO DE LUCES

Cualquier sustitución o mantenimiento de las luces LED debe ser realizado por el fabricante, su agente de servicios o una persona con cualificación similar.

RESOLUCIÓN DE PROBLEMAS

IMPORTANTE: NO intente reparar el refrigerador usted mismo. Hacerlo invalida la garantía.

GENERAL

PROBLEMA	CAUSA POSIBLE	SOLUCIÓN
El refrigerador no funciona	El refrigerador está desenchufado.	Asegúrese que el cable de alimentación del refrigerador esté completamente enchufado en el tomacorriente.
	El fusible en el circuito está fundido o el disyuntor se ha disparado.	Verifique la caja de fusibles / disyuntores de la casa y reemplace el fusible o reinicie el disyuntor.
	Fallo en el suministro eléctrico.	Si se produce un fallo en el suministro eléctrico, el refrigerador se apaga. Espere hasta que se restablezca la corriente.
	El control de temperatura no está ajustado a la temperatura correcta.	Ajuste la temperatura a un valor más bajo.
	El espacio libre entre el refrigerador y los gabinetes o la pared circundantes es insuficiente.	Asegúrese de que haya suficiente espacio libre alrededor del refrigerador y retire todos los elementos de la parte superior del refrigerador para maximizar la circulación de aire. Consulte "Requisitos de ubicación".
La puerta del refrigerador no cierra completamente	Los paquetes de alimentos están interfiriendo con la puerta.	Mueva o retire algunos alimentos.
	Las juntas de la puerta están sucias.	Limpie las juntas de la puerta.
	El refrigerador puede estar desnivelado.	Nivele el refrigerador.

PROBLEMA	CAUSA POSIBLE	SOLUCIÓN
Las luces LED no se encienden	<p>El refrigerador está desenchufado.</p> <p>La luz LED está fundida.</p>	<p>Enchufe en un tomacorriente de 3 clavijas con conexión a tierra.</p> <p>Comuníquese con un técnico calificado para reemplazar el LED quemado.</p>
La comida en el refrigerador no está fría	<p>La puerta se ha abierto con demasiada frecuencia o no se ha cerrado correctamente.</p> <p>Una gran cantidad de comida fue añadida recientemente.</p> <p>La puerta no está completamente cerrada.</p> <p>El refrigerador ha sido desconectado por un período de tiempo.</p> <p>El control de temperatura está en un ajuste demasiado caliente.</p>	<p>Asegúrese que la puerta esté cerrada correctamente.</p> <p>Deje que se enfríe la comida que acaba de agregar y luego verifique nuevamente.</p> <p>Revise la junta de la puerta y la distribución de los alimentos, y asegúrese que la puerta se cierra completamente.</p> <p>Espere 4 horas para que el refrigerador se enfríe completamente antes de agregar alimentos.</p> <p>Fije el control de temperatura a un ajuste más frío.</p>
Los elementos del compartimento frigorífico se están congelando	<p>Las salidas de aire están bloqueadas.</p>	<p>Coloque los artículos grandes a los lados del estante superior para que no bloqueen la circulación de aire desde el respiradero del centro.</p>
El refrigerador hace ruidos o vibraciones inusuales	<p>El refrigerador puede estar desnivelado.</p> <p>La carcasa del refrigerador está tocando una pared.</p> <p>Las piezas metálicas son sometidas a expansión y contracción.</p> <p>El refrigerante está circulando por todo el sistema.</p>	<p>Ajuste las patas niveladoras ubicadas en las esquinas delanteras del refrigerador hasta que el refrigerador esté nivelado.</p> <p>Aleje el refrigerador de la pared.</p> <p>Esto es normal.</p> <p>Esto es normal.</p>

PROBLEMA	CAUSA POSIBLE	SOLUCIÓN
Se acumula humedad en el interior del refrigerador	La puerta se ha abierto con demasiada frecuencia o no se ha cerrado correctamente.	Asegúrese que la puerta esté cerrada correctamente.
	El refrigerador se encuentra en un área húmeda.	Mueva el refrigerador a un lugar más seco.
	El clima es cálido y húmedo.	Esto es normal.
El compresor se enciende y apaga con frecuencia	La temperatura ambiente es más alta de lo normal.	Esto es normal.
	Una gran cantidad de comida fue añadida recientemente.	Deje que se enfríe la comida que acaba de agregar y luego verifique nuevamente.
	La puerta no está completamente cerrada o se abrió con demasiada frecuencia.	Revise la junta de la puerta y la distribución de los alimentos para asegurarse que la puerta se cierra completamente.
	El refrigerador ha sido desconectado por un período de tiempo.	Espere 4 horas para que el refrigerador se enfríe completamente antes de agregar alimentos.
	El control de temperatura no estaba configurado correctamente.	Fije el control de temperatura en la configuración correcta.
El refrigerador tiene un olor	El refrigerador necesita limpieza.	Limpie el refrigerador. Consulte "Limpieza".
	Los alimentos mal envueltos están desprendiendo un olor.	Envuelva bien los alimentos o séllelos antes de guardarlos en el refrigerador.

HIELO Y AGUA

PROBLEMA	CAUSA POSIBLE	SOLUCIÓN
<p>La máquina de hielo no produce hielo o no produce suficiente hielo</p>	El refrigerador no está conectado a un suministro de agua o la válvula de cierre del suministro de agua no está abierta.	Conecte el refrigerador al suministro de agua y abra la válvula de cierre del agua por completo.
	La/s máquina de hielo/s está/n apagada/s.	Encienda la/s máquina de hielo/s. Consulte la sección “Controles”.
	El refrigerador acaba de ser instalado.	Espera 12 horas después de la instalación de la máquina de hielo para que comience la producción de hielo.
	El depósito de hielo no está en su lugar.	Asegúrese de que el depósito de almacenamiento de hielo esté instalado correctamente.
	Una gran cantidad de hielo fue removida recientemente.	Permit que transcurra suficiente tiempo para que la máquina de hielo produzca más hielo.
	Un cubo de hielo está atascado en el brazo eyector de la máquina de hielo.	Retire el hielo del brazo expulsor con un utensilio de plástico.
<p>Los cubitos de hielo son huecos o pequeños</p> <p>NOTA: Esta es una indicación de baja presión de agua.</p>	La válvula de cierre de agua no está completamente abierta.	Abra completamente la válvula de cierre del agua.
	Hay un pliegue en la línea de la fuente de agua.	Un pliegue en la línea de agua puede reducir el flujo de agua. Enderece la línea de la fuente de agua.
	Hay un filtro de agua instalado en el refrigerador.	Retire el filtro de agua y haga funcionar la máquina de hielo. Si mejora el volumen de hielo, es posible que el filtro esté obstruido o instalado incorrectamente. Reemplace el filtro o vuelva a instalarlo correctamente.

Seguridad del Refrigerador

Requisitos para el Funcionamiento

Características y Piezas

Instalación

Antes de Usar

Uso del Refrigerador

Cuidado del Refrigerador

Resolución de Problemas

PROBLEMA	CAUSA POSIBLE	SOLUCIÓN
El dispensador de agua y hielo no funciona correctamente	El refrigerador no está conectado a un suministro de agua o la válvula de cierre del suministro de agua no está abierta.	Conecte el refrigerador al suministro de agua y abra completamente la válvula de cierre del agua.
	Hay un pliegue en la línea de la fuente de agua.	Un pliegue en la línea de agua puede reducir el flujo de agua. Enderece la línea de la fuente de agua.
	La presión de agua de la casa es inadecuada.	La presión del agua en la casa determina el flujo del dispensador. Consulte la sección “Requisitos del suministro de agua”.
	Una de las puertas del refrigerador no está completamente cerrada.	Asegúrese de que ambas puertas del compartimento de refrigeración estén completamente cerradas.
	El filtro de agua o el tapón de derivación no están instalados correctamente.	No se puede dispensar agua sin un filtro de agua o el tapón de derivación correctamente instalado. Consulte la sección “Filtro de agua”.
	El hielo está bloqueando el conducto de entrega de hielo.	Retire el depósito de hielo del compartimento superior de hielo. Revise el conducto de entrega y retire el hielo atascado con un utensilio de plástico, si es necesario. Limpie el conducto de entrega de hielo y el depósito de hielo con un paño húmedo tibio y luego seque ambos completamente.
	El depósito de hielo no está colocado correctamente en el compartimento de la máquina de hielo.	Para evitar atascos de hielo y mantener un suministro fresco de hielo, vacíe el depósito de hielo y limpie tanto el depósito como el conducto de entrega con regularidad. Verifique la posición del depósito de hielo.

PROBLEMA	CAUSA POSIBLE	SOLUCIÓN
<p>Hay fugas o goteos de agua fuera del sistema dispensador</p> <p>NOTA: Es normal observar gotas de agua después de la dispensación.</p>	<p>El vaso no se mantuvo debajo del dispensador el tiempo suficiente.</p> <p>El filtro de agua se instaló o reemplazó recientemente.</p>	<p>Sostenga el vaso debajo del dispensador de 2 a 3 segundos después de soltar la lengüeta del dispensador.</p> <p>Lavar el sistema de agua elimina el aire de las líneas, lo que hace que gotee el dispensador de agua. Enjuagar el sistema de agua. Consulte la “Purga del sistema de agua”.</p>
<p>El agua del dispensador sabe mal</p>	<p>No se ha dispensado agua recientemente (aprox. 4 días).</p> <p>Es necesario sustituir el filtro.</p>	<p>Dispense y deseche al menos 1 galón de agua.</p> <p>Reemplace el filtro de agua cuando se indique.</p>
<p>El agua del dispensador está tibia</p>	<p>El refrigerador acaba de ser instalado.</p> <p>El refrigerador no está conectado a una tubería de agua fría.</p> <p>Recientemente se dispensó una gran cantidad de agua.</p> <p>No se ha dispensado agua recientemente.</p>	<p>Deje transcurrir 24 horas después de la instalación para que el suministro de agua se enfríe por completo.</p> <p>Asegúrese de que el refrigerador esté conectado a una tubería de agua fría.</p> <p>Espere 3 horas para que el suministro de agua se enfríe por completo.</p> <p>Es posible que el primer vaso de agua no salga frío. Deseche el primer vaso de agua dispensado.</p>
<p>Sale agua por la parte trasera del refrigerador</p>	<p>Las conexiones de la línea de agua no estaban completamente apretadas.</p>	<p>Consulte la sección “Conexión al agua”.</p>
<p>Sale agua de la cubeta debajo del cajón del congelador</p>	<p>El refrigerador se descongela automáticamente con más frecuencia.</p> <p>Las puertas o cajones no están completamente cerrados permitiendo la entrada de aire caliente.</p>	<p>Vacíe la bandeja antigoteo. Asegúrese de que el refrigerador no esté abarrotado y que los alimentos almacenados con un alto contenido líquido, como las sopas, estén bien sellados.</p> <p>Asegúrese de que todas las puertas y cajones estén completamente cerrados.</p>

CÓDIGOS DE ERROR

Si aparece un código de error en el panel de control, comuníquese con su lugar de compra o con el servicio de atención al cliente de Insignia al 1-866-646-4332.

CÓDIGO DE ERROR	DESCRIPCIÓN DEL ERROR
E0	Falla de la máquina de hielo
E1	Fallo del sensor de temperatura en el compartimento del refrigerador
E2	Fallo del sensor de temperatura en el compartimento del congelador
E5	Fallo del sensor de descongelación en el compartimento del congelador
E6	Fallo de comunicación en la pantalla
E7	Fallo de temperatura ambiente
EH	Error del sensor de humedad
EE	Fallo en el sensor de la máquina de hielo
CA	Fallo de comunicación en la placa de la máquina de hielo
EP	Fallo de la máquina de hacer hielo sin hielo

HOJA DE DATOS DE RENDIMIENTO

SISTEMA INTERNO DE FILTRACIÓN DE AGUA

MODELO MF-2008-R2 CAPACIDAD 200 GALONES (757 LITROS)



Sistema probado y certificado por NSF International según las normas NSF/ANSI 42 y 53 para la reducción de los contaminantes especificados en la Hoja de Datos del Rendimiento.

Este sistema ha sido probado de acuerdo con las Normas NSF/ANSI 42 y 53 para la reducción de las sustancias enumeradas a continuación. La concentración de las sustancias indicadas en agua entrando al sistema fue reducida a una concentración menor o igual al límite permitido para agua saliendo del sistema, como se especifica en las Normas NSF/ANSI 42 y 53.

Reducción de sustancias	Concentración del peligro de penetración o intrusión (mg/L)	Concentración máxima permisible del producto en el agua (mg/L)	Reducción del % medio	Requisitos de reducción de NSF
Reducción de cloro	2,0 mg/L ± 10%	NA	93,7%	50%
Reducción de partículas, Clase I*	≥10000/ml	NA	>99,9%	≥85%
Reducción de plomo	0,15mg/L ± 10%	≤0,010	99,60%	NA
Quistes vivos†	50000/L	NA	>99,99%	99,95%

Parámetros de prueba: pH = 7,69 ± 0,5 a menos que se indique lo contrario. Flujo = 0,52 gpm (1,89 Lpm). Presión = 60 psig (413,7 kPa).

Temperatura = 20° C a 22° C (68° F a 71,6° F). Capacidad nominal de servicio = 200 galones (757 litros).

- Es importante que se cumplan los requisitos de funcionamiento, mantenimiento y sustitución de filtros para que el producto funcione como se ha anunciado. Pueden ocurrir daños materiales si no se siguen todas las instrucciones.
- El cartucho desechable debe cambiarse al menos cada 6 meses.
- Utilice un filtro MF2008-R2 de repuesto.
- El sistema de monitorización del filtro mide la cantidad de agua que pasa por el filtro y le avisa sobre cuándo es el momento de reemplazar el filtro. Consulte la sección "Uso de los controles".
- Después de cambiar el filtro de agua, enjuague el sistema de agua. Consulte la sección "Dispensador".
- Estos contaminantes no se encuentran necesariamente en su suministro de agua. Si bien las pruebas se realizaron en condiciones normales de laboratorio, el rendimiento real puede variar.
- El producto es solo para uso con agua fría.
- El sistema de agua debe instalarse de acuerdo con las leyes y normativas estatales y locales.
- No utilizar con agua que no sea microbiológicamente segura o de calidad desconocida sin una desinfección previa o posterior adecuada del sistema. Los sistemas certificados para la reducción de quistes pueden usarse en aguas desinfectadas que pueden contener quistes filtrables. EPA Est. N.º 10350-MN-005.
- Consulte la sección "Garantía" para conocer la garantía limitada del fabricante, el nombre y el número de teléfono.

Pautas de aplicación/Parámetros para el suministro de agua

Suministro de agua	Municipal o de pozo potable
Presión de agua	35 - 120 lbs/pulg ² (241 - 827 kPa)
Temperatura de agua	33° - 100°F (1° - 38°C)
Tasa de flujo de servicio	0, 52 gpm (1.89 L/min.) @ 60 lbs/pulg ²

* Tamaño de las partículas de clase I: > 0,5 a <1 µm.>

† Basado en el uso de oocistos de *Cryptosporidium parvum*.

® NSF es una marca registrada de NSF International.

GARANTÍA LIMITADA DEL REFRIGERADOR MIDEA

ADJUNTE SU RECIBO AQUÍ. SE REQUIERE COMPROBANTE DE COMPRA PARA OBTENER UN SERVICIO DE GARANTÍA.

Tenga a disposición la siguiente información cuando llame al Centro de servicio al cliente:

- Nombre, domicilio y número de teléfono
- Número de modelo y número de serie
- Una descripción clara y detallada del problema
- Comprobante de compra, incluido el nombre y domicilio del distribuidor o vendedor

SI NECESITA SERVICIO TÉCNICO:

1. Antes de contactarnos para coordinar el servicio técnico, determine si su producto requiere reparación. Algunas preguntas pueden resolverse sin el servicio técnico. Dedique algunos minutos a revisar la sección de Solución de problemas del Manual de usuario, o visite <http://us.Midea.com/support>.
2. Todo servicio técnico de garantía se provee exclusivamente por parte de prestadores de servicio técnico autorizados de Midea, en los EE. UU. y Canadá.

Servicio al cliente de Midea

En EE. UU. o Canadá, llame al 1-866-646-4332.

Si se encuentra fuera de los 50 estados de los Estados Unidos o de Canadá, comuníquese con su distribuidor autorizado de Midea para corroborar si aplica una garantía distinta.

1 AÑO PARA PIEZAS Y MANO DE OBRA, 10 AÑOS PARA PIEZAS DEL COMPRESOR

LO QUE CUBRE

PRIMER AÑO DE GARANTÍA LIMITADA (PIEZAS Y MANO DE OBRA)

Midea reparará o reemplazará, sin cargo, cualquier defecto debido a materiales defectuosos o mano de obra por un año completo a partir de la fecha de compra. Para obtener más detalles sobre la cobertura de la garantía e información sobre reparación de la garantía, visite www.midea.com o llame al **1-866-646-4332**.

El consumidor será responsable de:

- Los costos de diagnóstico, traslado, transporte y reinstalación requeridos por el servicio.
- Los costos de las llamadas de servicio que sean resultado de los artículos enumerados bajo **RESPONSABILIDADES NORMALES DEL CONSUMIDOR****

RESPONSABILIDADES NORMALES DEL CONSUMIDOR**

Esta garantía se aplica solo a los productos de uso doméstico común, y el consumidor es responsable de los puntos que se enumeran a continuación:

1. El uso correcto del electrodoméstico de acuerdo con las instrucciones proporcionadas con el producto.
2. El mantenimiento de rutina y la limpieza necesaria para mantener las buenas condiciones de trabajo.
3. La instalación correcta por un profesional de servicio autorizado de acuerdo con las instrucciones provistas con el electrodoméstico y de acuerdo con todos los códigos locales de plomería, electricidad y/o gas.
4. La conexión adecuada a una fuente de alimentación con conexión a tierra de suficiente voltaje, reemplazo de fusibles quemados, reparación de conexiones flojas o defectos en el cableado de la casa.
5. Los gastos por hacer accesible el electrodoméstico para darle servicio.
6. Los daños al acabado después de la instalación.

SU ÚNICO RECURSO EXCLUSIVO CONFORME A ESTA GARANTÍA LIMITADA SERÁ LA REPARACIÓN O EL REEMPLAZO DEL PRODUCTO SEGÚN SE INDICA. El servicio técnico debe ser provisto por una empresa de servicio técnico designada por Midea. Esta garantía limitada es válida solamente en los 50 estados de los Estados Unidos o Canadá y aplica únicamente cuando el electrodoméstico se utiliza en el país en el que se adquirió. Esta garantía limitada entra en vigencia a partir de la fecha de compra original del consumidor. Se requiere comprobante de la fecha de compra original para obtener el servicio técnico conforme esta garantía.

LO QUE NO CUBRE

1. Fallo causado por daño a la unidad mientras se encuentra en su posesión (que no sea daño causado por un defecto o mal funcionamiento), por su instalación incorrecta o por un uso irrazonable del producto, incluyendo, entre otros, la falta de mantenimiento razonable y necesario o el cumplimiento del Manual de instrucciones e instalación.
2. Los productos comprados “como están” o restaurados no están cubiertos por esta garantía.
3. Pérdida de alimentos causada por falla del refrigerador o congelador.
4. Llamadas de servicio para reparar o reemplazar consumibles como filtros de agua, bombillas, filtros de aire, etc., manijas, perillas y otras partes cosméticas.
5. Un producto que haya sido transferido de su propietario original.
5. Óxido interior o exterior de la unidad.
7. Daños causados por servicios realizados por personas distintas de los servicios autorizados de Midea; uso de partes distintas a las de reemplazo de Midea; lo obtenido de personas que no sean del servicio al cliente de Midea; o causas externas tales como abuso, mal uso, suministro de energía inadecuado o desastres naturales.
8. Llamadas de servicio resultantes por la instalación incorrecta del producto.
9. Llamadas de servicio para darle instrucciones acerca del uso del producto.
10. Recargos que incluyen, entre otros, cualquier llamada de servicio después de hora, fin de semana o días festivos, peajes, cargos por viaje en ferry o gastos de millaje para llamadas de servicio a áreas remotas, incluido el estado de Alaska.
11. Si la unidad se destina a un uso comercial, de negocio, de alquiler u otro uso o aplicación que no sea para uso del consumidor, no ofrecemos ninguna garantía, expresa o implícita, incluida, entre otras, cualquier garantía implícita de comercialización o idoneidad para un uso o propósito particular.
12. Un producto que haya sido retirado fuera de los Estados Unidos o Canadá.
13. Productos sin números de serie originales o productos con números de serie que hayan sido alterados o no puedan determinarse fácilmente.

NOTA: Algunos estados no permiten la exclusión o limitación de daños incidentales o consecuentes. Por lo tanto, esta limitación o exclusión puede no aplicarse a su caso.

El costo de la reparación o reemplazo conforme a estas circunstancias excluidas correrá a cargo del cliente.

EXENCIÓN DE RESPONSABILIDAD DE LAS GARANTÍAS IMPLÍCITAS

LAS GARANTÍAS IMPLÍCITAS, INCLUIDA CUALQUIER GARANTÍA IMPLÍCITA DE COMERCIABILIDAD O GARANTÍA IMPLÍCITA DE IDONEIDAD PARA UN PROPÓSITO ESPECÍFICO, SE LIMITAN A UN AÑO O EL PERÍODO MÁS BREVE PERMITIDO POR LEY. Algunos estados y provincias no permiten limitaciones a la duración de las garantías implícitas de comerciabilidad o idoneidad, de manera que esta limitación podría no aplicar para usted. Esta garantía le otorga determinados derechos legales, y usted cuenta además con otros derechos que varían según el estado o la provincia.

EXENCIÓN DE RESPONSABILIDAD DE LAS DECLARACIONES AJENAS A LA GARANTÍA

Midea no hace ninguna declaración respecto de la calidad, durabilidad o necesidad de servicio técnico o reparaciones para este electrodoméstico, salvo las declaraciones incluidas en esta garantía. Si desea obtener una garantía más extensa o integral que la garantía limitada que se ofrece con este electrodoméstico, consulte con Midea o su vendedor sobre la posibilidad de adquirir una garantía extendida.

LIMITACIÓN DE RECURSOS; EXCLUSIÓN DE RESPONSABILIDAD POR DAÑOS OCASIONALES E INDIRECTOS

SU ÚNICO RECURSO EXCLUSIVO CONFORME A ESTA GARANTÍA LIMITADA SERÁ LA REPARACIÓN DEL PRODUCTO SEGÚN SE INDICA. MIDEA NO SERÁ RESPONSABLE POR DAÑOS OCASIONALES O INDIRECTOS. Algunos estados y provincias no permiten la exclusión o limitación de responsabilidad respecto de los daños ocasionales o indirectos, de manera que esta limitación podría no aplicar para usted. Esta garantía le otorga determinados derechos legales, y usted cuenta además con otros derechos que varían según el estado o la provincia.

05/19



make yourself at home