

# WV55M9600AV

SAMSUNG

## Samsung FlexWash™ Washer

4.5 + 1.0 cu. ft. Total Capacity DOE



### Signature Features

#### FlexWash™

- Two washers in one lets you wash separate loads at the same time.

#### 5.5 cu. ft. Total Capacity

- 4.5 + 1.0 cu. ft. upper and lower washers mean fewer washes, less time in the laundry room.

#### Steam Wash (Lower Washer)

- Uses the power of steam to remove stains without pretreatment.

### Available Colors



Black Stainless Steel (shown)



White



FlexWash™



4.5 cu. ft. + 1.0 cu. ft. Capacity

### Lower Wash Features

- Steam Wash
- Wi-Fi Connectivity
- VRT Plus™ Technology
- Self Clean+
- Smart Care
- Diamond Drum Design
- 1300 RPM Maximum Spin Speed
- Stainless Steel Drum
- Direct Drive Motor

### Convenience

- Child Lock
- Door Lock
- Dispenser Trays: Main Wash, Softener, Bleach

### Upper Wash Features

- VRT™ – Vibration Reduction Technology
- Wi-Fi Connectivity
- Self Clean
- Smart Care
- 800 RPM Maximum Spin Speed
- Stainless Steel Tub
- Direct Drive Motor

### Convenience

- Child Lock
- Door Lock
- Dispenser Trays: Softener, Bleach
- Aqua Pebble Detergent Pod

# WV55M9600AV

# SAMSUNG

## Samsung FlexWash™ Washer

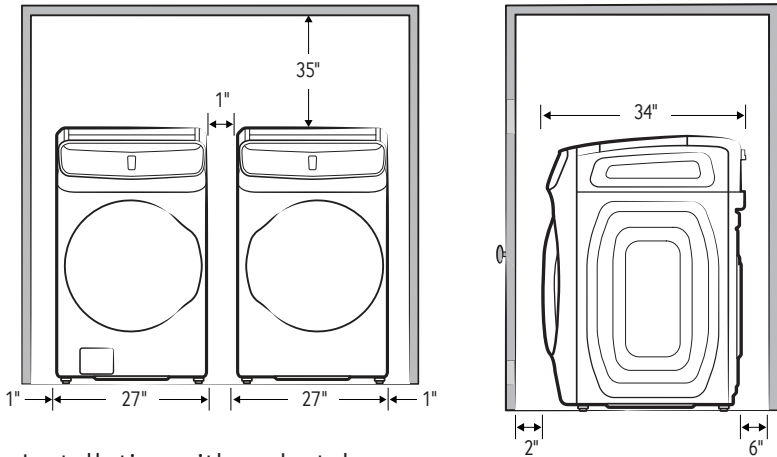
4.5 + 1.0 cu. ft. Total Capacity DOE

### Installation Specifications

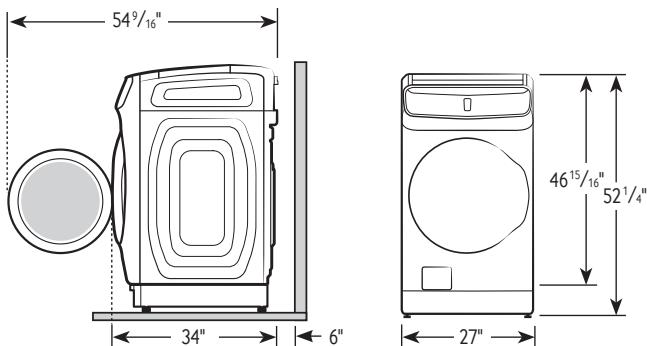
If the washer and dryer are installed together or the dryer alone, the closet front must have two unobstructed air openings for a combined minimum total area of 72-inch.<sup>2</sup> Your washer alone does not require a specific air opening.

#### Alcove or closet installation

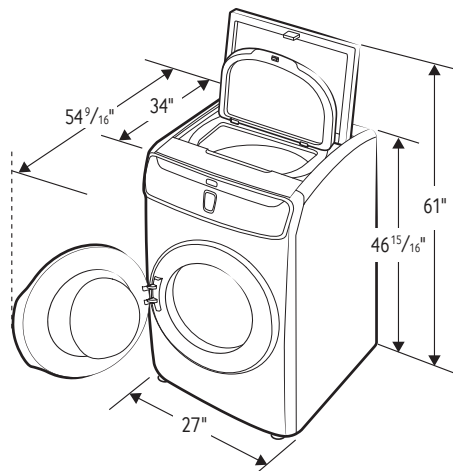
Minimum Clearance for Closet and Alcove Installations:



#### Installation with pedestal



### Dimensions



#### 4.5 cu. ft. Capacity Lower Washer

##### 9 Preset Wash Cycles:

Normal, Heavy Duty, Permanent Press, Sanitize, Bedding, Whites, Delicates, Quick Wash, Rinse + Spin

##### 10 Options:

Steam, Self Clean+, Delay End, Pre Soak, Extra Rinse, Spin Only, Smart Control, Smart Care, Child Lock, Sound

##### 4 Temperature Settings:

Extra Hot, Hot, Warm, Cool

##### 4 Spin Settings:

High, Medium, Low, No Spin

##### 3 Soil Settings:

Heavy, Normal, Light

##### Dispenser Trays:

Main Wash, Softener, Bleach

---

#### 1.0 cu. ft. Capacity Upper Washer

##### 5 Preset Wash Cycles:

Normal, Active Wear, Delicates, Rinse + Spin, Spin Only

##### 7 Options:

Cold/Warm Water Temp, Extra Rinse, Self Clean, Smart Control, Sound, Child Lock, Smart Care

##### Dispenser Trays: Softener, Bleach

##### Warranty

One (1) Year Parts and Labor  
Three (3) Years Stainless Steel Drum (Part Only)  
Ten (10) Years Direct Drive Motor (Part Only)

##### Product Dimensions & Weight (WxHxD)

Dimensions: 27" x 46 15/16" x 34"

Weight: 293 lbs

##### Shipping Dimensions & Weight (WxHxD)

Dimensions: 29 9/16" x 52" x 36 1/4"

Weight: 304 lbs

##### Color

Color	Model #	UPC Code
Black Stainless Steel	WV55M9600AV	887276196923
White	WV55M9600AW	887276196930

##### Model #

##### UPC Code

##### Matching Dryer (Electric/Gas)

Black Stainless Steel	DVE55M9600V	887276197531
White	DVE55M9600W	887276197555
Black Stainless Steel	DVG55M9600V	887276197593
White	DVG55M9600W	887276197609