

DVG55M9600V

SAMSUNG

Samsung FlexDry™ Dryer

7.5 cu. ft. Capacity DOE



Signature Features

FlexDry™

- Two dryers in one lets you dry delicates and everyday garments at the same time.

Delicate Dryer

- Flat dry delicates, sweaters, and accessories to prevent items from shrinking and fabric damage.

Multi-Steam Technology

- Steam away wrinkles, odors, bacteria, and static.

Available Colors



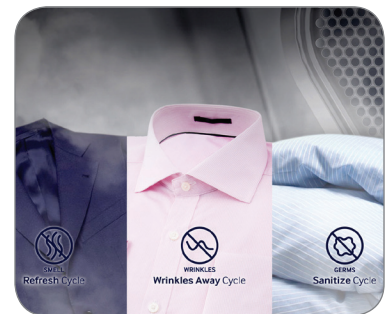
Black Stainless Steel (shown)



White



FlexDry™ with Delicate Dryer



Multi-Steam Technology

Tumble Dryer Features

- Steam
- Vent Sensor
- Wi-Fi Connectivity
- Eco Dry
- Sensor Dry
- Smart Care
- Stainless Steel Drum
- 9 Preset Dry Cycles
- 11 Options
- 4 Temperature Settings
- Interior Drum Light
- Ice Blue LED Display

Convenience

- Child Lock
- Filter Check Indicator
- Door Lock

Delicate Dryer Features

- Wi-Fi Connectivity
- Smart Care
- Drying Rack
- 4 Preset Dry Cycles
- 6 Options

Convenience

- Child Lock

DVG55M9600V

SAMSUNG

Samsung FlexDry™ Dryer

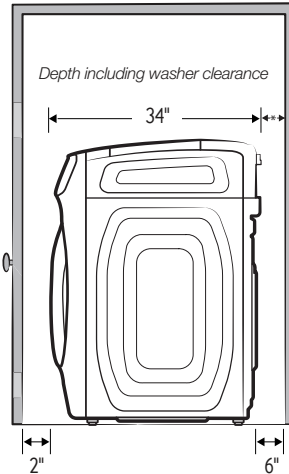
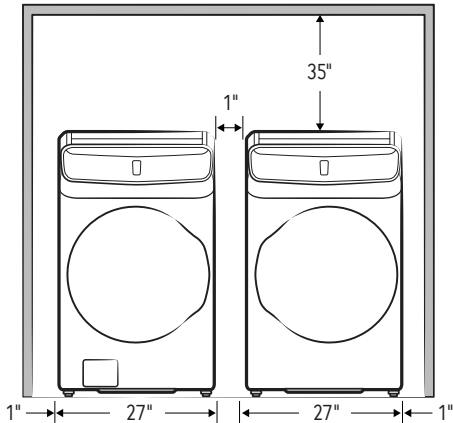
7.5 cu. ft. Capacity DOE

Installation Specifications

If the washer and dryer are installed together or the dryer alone, the closet front must have two unobstructed air openings for a combined minimum total area of 72-inch.² Your washer alone does not require a specific air opening.

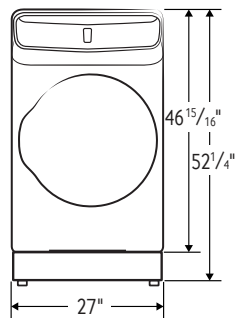
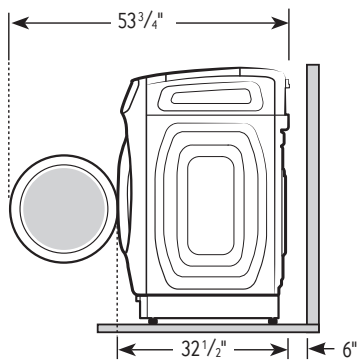
Alcove or closet installation

Minimum Clearance for Closet and Alcove Installations:

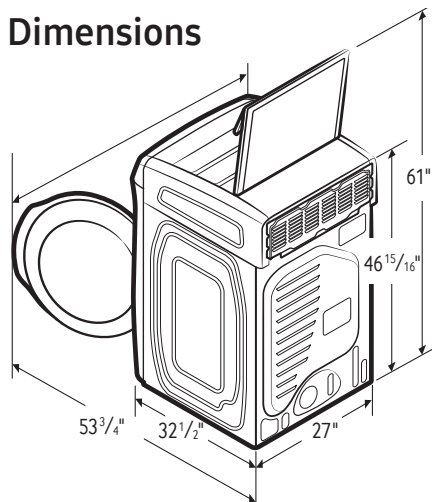


*Required spacing (External exhaust elbow may require additional space.)

Installation with pedestal



Dimensions



3-Way Venting

Tumble Dryer

9 Preset Dry Cycles:

Refresh, Wrinkle Away, Steam Sanitize, Normal, Heavy Duty, Permanent Press, Delicates, Time Dry, Air Fluff

11 Options:

Eco Dry, Adjust Time (up), Adjust Time (down), Anti Static, Mixed Load Bell, Smart Control, Smart Care, Drum Light, Child Lock, Sound, Wrinkle Prevent

4 Temperature Settings:

High, Medium, Low, Extra Low

4 Dry Levels:

Very Dry, More Dry, Normal Dry, Damp Dry

Delicate Dryer

4 Preset Dry Cycles:

Wool, Shirt/Blouse, Undergarment, Accessory

6 Options:

Time+, Air Dry, Smart Control, Smart Care, Child Lock, Sound

Warranty

One (1) All Year Parts and Labor

Product Dimensions & Weight (WxHxD)

Dimensions: 27" x 46^{15/16}" x 32^{1/2}"

Weight: 167 lbs

Shipping Dimensions & Weight (WxHxD)

Dimensions: 29^{9/16}" x 50^{1/4}" x 34^{11/16}"

Weight: 178 lbs

Gas

Black Stainless Steel

Model

DVG55M9600V

UPC Code

887276197593

White

DVG55M9600W

887276197609

Electric

Black Stainless Steel

DVE55M9600V

887276197531

White

DVE55M9600W

887276197555

Matching Washer

Black Stainless Steel

WV55M9600AV

887276196923

White

WV55M9600AW

887276196930