

DVE55M9600V

SAMSUNG

Samsung FlexDry™ Dryer

7.5 cu. ft. Capacity DOE



Signature Features

FlexDry™

- Two dryers in one lets you dry delicates and everyday garments at the same time.

Delicate Dryer

- Flat dry delicates, sweaters, and accessories to prevent items from shrinking and fabric damage.

Multi-Steam Technology

- Steam away wrinkles, odors, bacteria, and static.

Available Colors



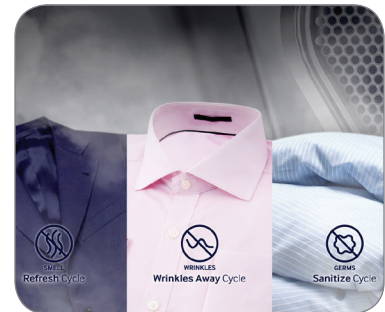
Black Stainless Steel (shown)



White



FlexDry™ with Delicate Dryer



Multi-Steam Technology

Tumble Dryer Features

- Steam
- Vent Sensor
- Wi-Fi Connectivity
- Eco Dry
- Sensor Dry
- Smart Care
- Stainless Steel Drum
- 9 Preset Dry Cycles
- 11 Options
- 4 Temperature Settings
- Interior Drum Light
- Ice Blue LED Display

Convenience

- Child Lock
- Filter Check Indicator
- Door Lock

Delicate Dryer Features

- Wi-Fi Connectivity
- Smart Care
- Drying Rack
- 4 Preset Dry Cycles
- 6 Options

Convenience

- Child Lock

DVE55M9600V

SAMSUNG

Samsung FlexDry™ Dryer

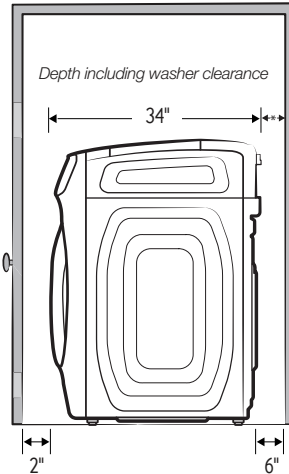
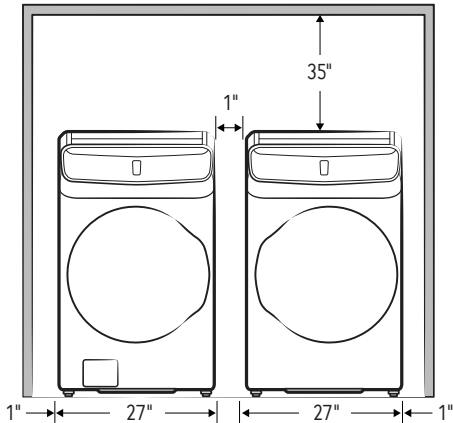
7.5 cu. ft. Capacity DOE

Installation Specifications

If the washer and dryer are installed together or the dryer alone, the closet front must have two unobstructed air openings for a combined minimum total area of 72-inch.² Your washer alone does not require a specific air opening.

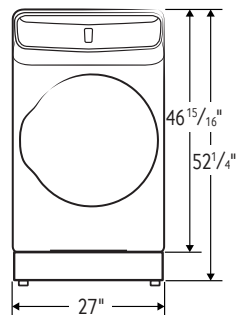
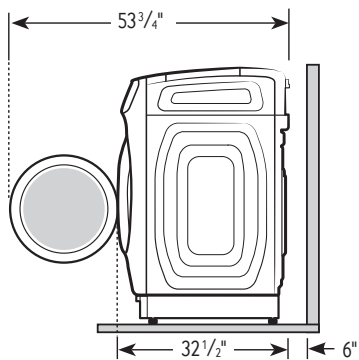
Alcove or closet installation

Minimum Clearance for Closet and Alcove Installations:

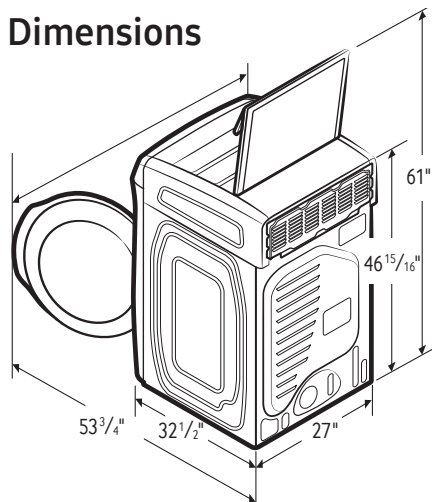


*Required spacing (External exhaust elbow may require additional space.)

Installation with pedestal



Dimensions



4-Way Venting

Tumble Dryer

9 Preset Dry Cycles:

Refresh, Wrinkle Away, Steam Sanitize, Normal, Heavy Duty, Permanent Press, Delicates, Time Dry, Air Fluff

11 Options:

Eco Dry, Adjust Time (up), Adjust Time (down), Anti Static, Mixed Load Bell, Smart Control, Smart Care, Drum Light, Child Lock, Sound, Wrinkle Prevent

4 Temperature Settings:

High, Medium, Low, Extra Low

4 Dry Levels:

Very Dry, More Dry, Normal Dry, Damp Dry

Delicate Dryer

4 Preset Dry Cycles:

Wool, Shirt/Blouse, Undergarment, Accessory

6 Options:

Time+, Air Dry, Smart Control, Smart Care, Child Lock, Sound

Warranty

One (1) All Year Parts and Labor

Product Dimensions & Weight (WxHxD)

Dimensions: 27" x 46¹⁵/₁₆" x 32¹/₂"

Weight: 167 lbs

Shipping Dimensions & Weight (WxHxD)

Dimensions: 29⁹/₁₆" x 50¹/₄" x 34¹¹/₁₆"

Weight: 178 lbs

Electric

	Model #	UPC Code
Black Stainless Steel	DVE55M9600V	887276197531
White	DVE55M9600W	887276197555

Gas

Black Stainless Steel	DVG55M9600V	887276197593
White	DVG55M9600W	887276197609

Matching Washer

Black Stainless Steel	WV55M9600AV	887276196923
White	WV55M9600AW	887276196930