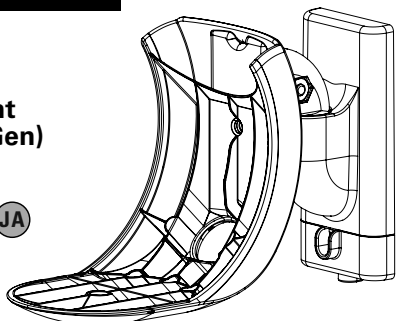


SANUS

WSEPM21

Tilt & Swivel Wall Mount
for Amazon Echo (4th Gen)

INSTRUCTION MANUAL



We're here to help!



Our install experts are standing by to help.



Call us at:

US: 1-800-359-5520 • UK: 0800 056 2853
EMEA: +31 (0) 495 580 852

www.SANUS.com

6901-602694 00

IMPORTANT SAFETY INSTRUCTIONS
PLEASE READ ENTIRE MANUAL PRIOR TO USE – SAVE THESE INSTRUCTIONS

- ⚠ CAUTION:** Avoid potential personal injuries and property damage!
- Check your speaker owner's manual to see if there are any special requirements for mounting your speaker.
 - Do not use this product for any purpose not explicitly specified by manufacturer.
 - Manufacturer is not responsible for damage or injury caused by incorrect assembly or use.
 - If you do not understand these instructions or have doubts about the safety of the installation, assembly or use of this product, contact Customer Service.

Please read through these instructions completely to be sure you're comfortable with this easy install process.
If you do not understand these instructions or have doubts about the safety of the installation, assembly or use of this product, contact Customer Service.

(North America)
US: 1-800-359-5520 • info@SANUS.com
SANUS.com

(UK & EMEA)
UK: 0800-056-2853 • EMEA: +31 (0) 495 580 852 • info@SANUS.com
SANUS.com

Speaker Weight Limit:
DO NOT EXCEED

2.5 lbs.
(1.1 kg)

Tools Needed

 Phillips Screwdriver Pencil Electric Drill	Wood Stud Install Stud Finder Awl 1/8 in. (3 mm) Wood Drill Bit	Concrete Install Hammer 1/4 in. (6.5 mm) Masonry Drill Bit	Drywall Install Hammer 1/4 in. (6.5 mm) Drill Bit
--	---	---	--

Parts and Hardware

⚠ WARNING: DO NOT FEED TO CHILDREN! This product contains small items that could be a choking hazard if swallowed. Keep these items away from young children!

- NOTE: Not all hardware included will be used.
- NOTE: Quantities shown are for one mount.

Parts and Hardware for STEP 1

Wall Plate 01 x1

Wall Plate Screw
#10 x 1 3/4 in.
02 x2

Anchor
AF6 Toggler
03 x2

Mount 04 x1

Bracket 05 x1

Cap 08 x1

Parts and Hardware for STEP 2

Assembly Screw
10-24 x 5/8 in.
06 x1

Speaker Screw
1/4-20 x 1/2 in.
07 x1

Parts and Hardware for STEP 2

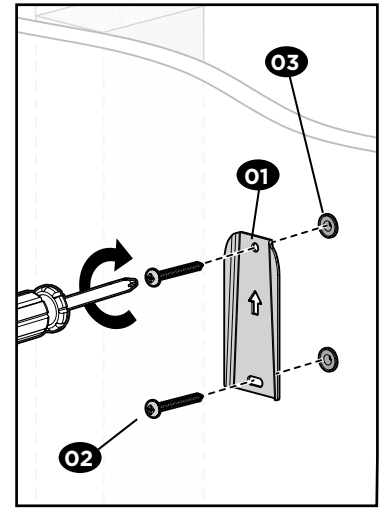
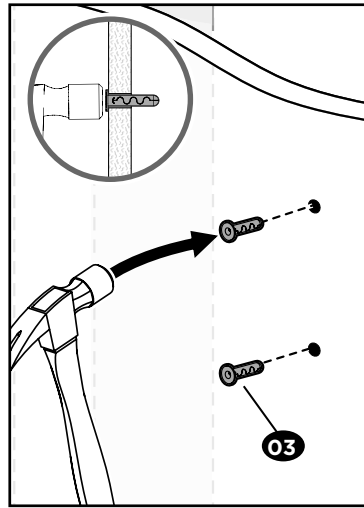
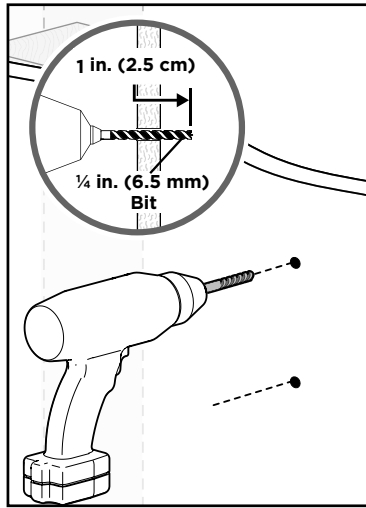
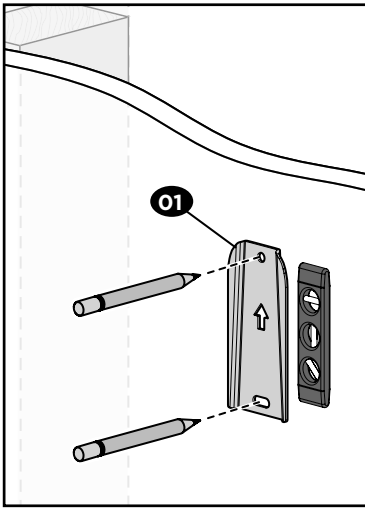
Cap 08 x1



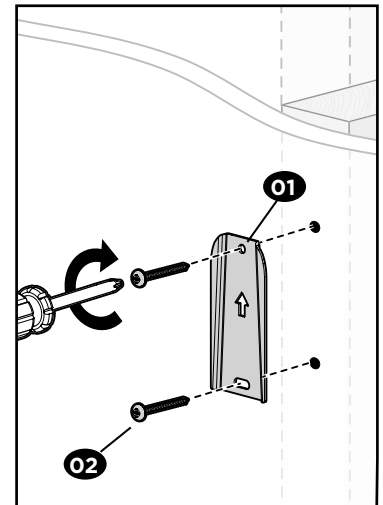
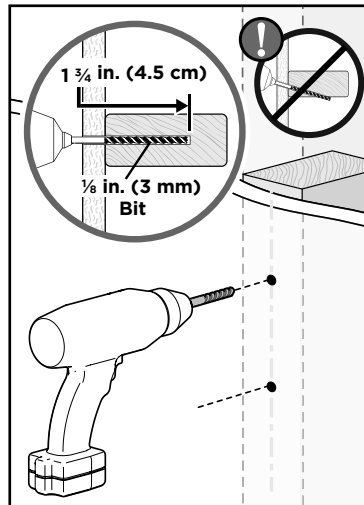
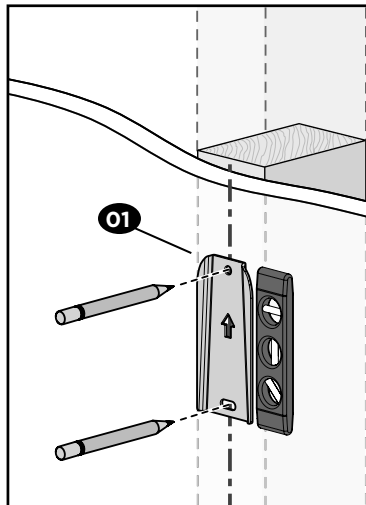
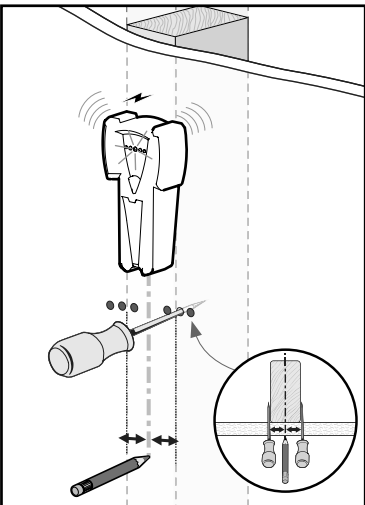
CAUTION: DO NOT overtighten any connections. Tighten **ONLY** until snug.

STEP 1 Attach Wall Plate to Wall

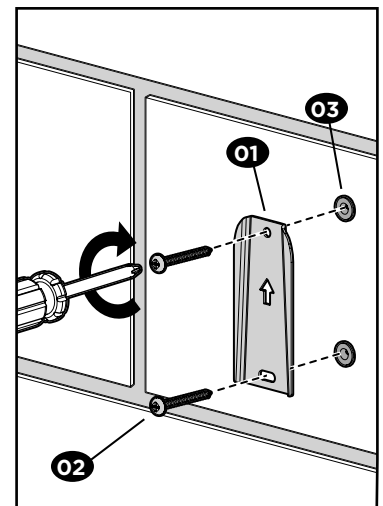
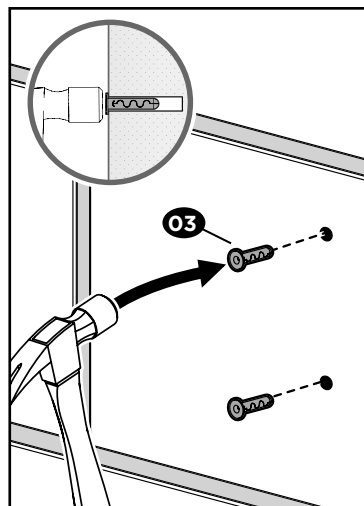
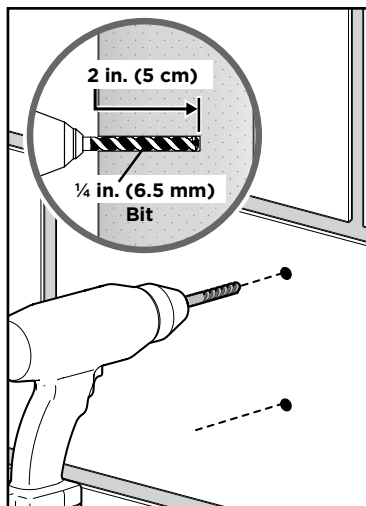
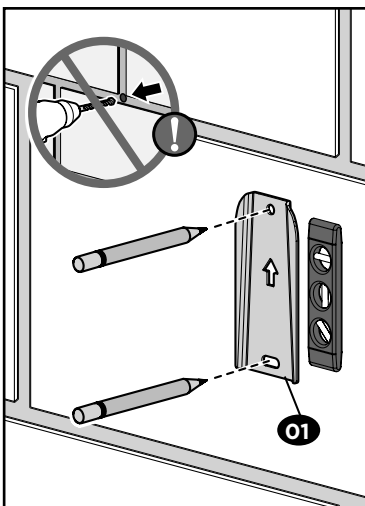
Drywall Only Installation



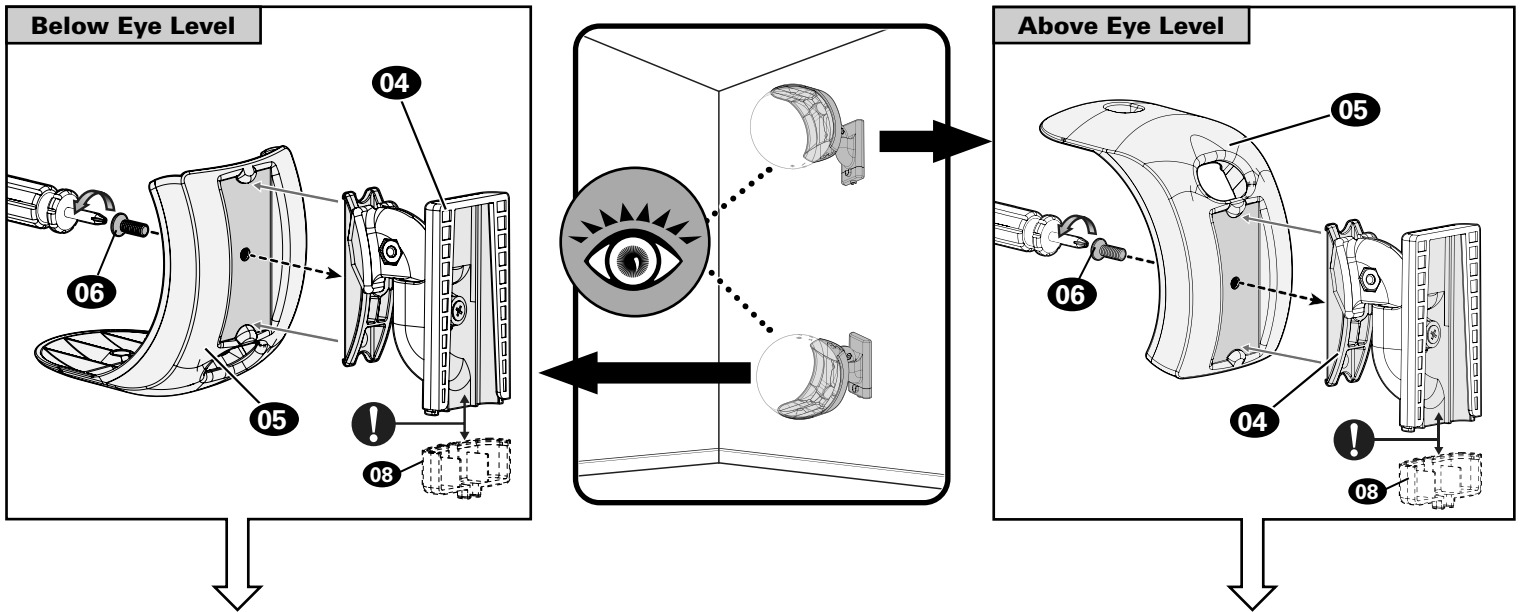
Wood Stud Wall



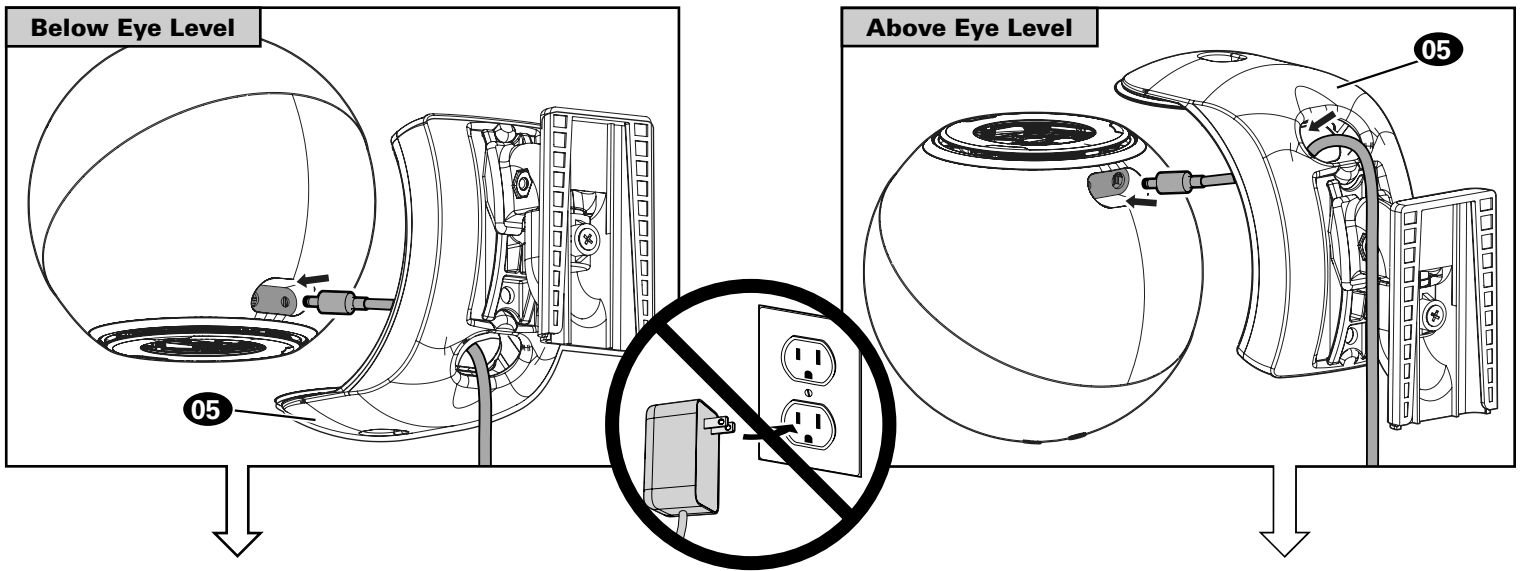
Solid Concrete or Concrete Block Installation



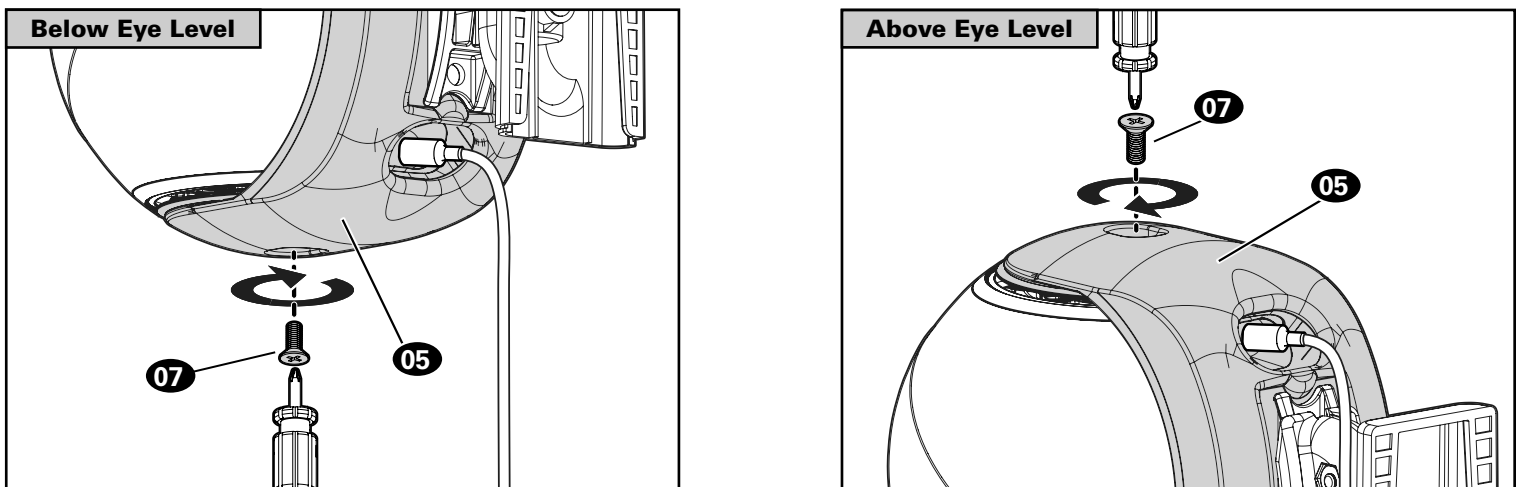
STEP 2 Attach the Bracket



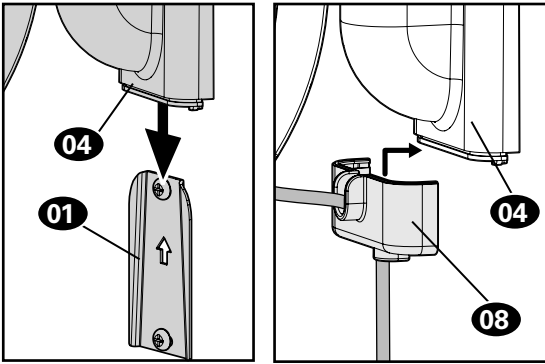
STEP 3 Plug in Your Speaker



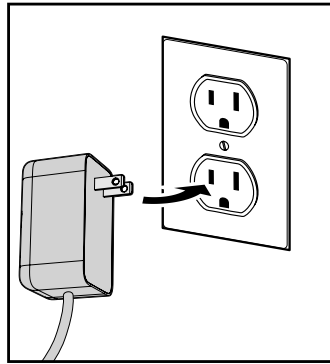
STEP 4 Secure Your Speaker



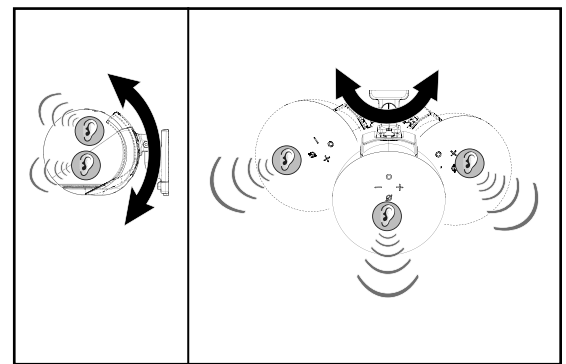
STEP 5 Mount on Wall Plate



STEP 6 Power Up



Adjust For Perfect Angle



ES

¿QUÉ HAY EN LA CAJA?

Prepare sus herramientas

▲ PRECAUCIÓN: No ajuste los tornillos en exceso.

1 FIJAR LA BASE

☉ Para pared de yeso

☰ Para montante de madera

☷ Para hormigón macizo o bloques de hormigón

2 COLOQUE EN EL SOPORTE

3 PASAR EL CABLE DE ALIMENTACIÓN DE LOS ALTAVOCES

4 INSTALAR EL ALTAVOZ

5 MONTAR EL CONJUNTO A LA PLACA MURAL

6 ENCHUFAR EL CABLE DE ALIMENTACIÓN

AJUSTES

FR

PIÈCES FOURNIES

Munissez-vous de vos outils

▲ ATTENTION: Ne pas trop serrer les vis.

1 FIXEZ LA SOCLE

☉ Pour cloison soche

☰ Pour montant en bois

☷ Pour béton plein ou bloc de béton

2 INSTALLEZ DANS LE SUPPORT

3 FAITES PASSER LE CORDON D'ALIMENTATION DU HAUT-PARLEUR

4 FIXEZ LE HAUT-PARLEUR

5 MONTAGE DE L'ENSEMBLE SUR LA PLAQUE MURALE

6 BRANCHEMENT DU CORDON D'ALIMENTATION

RÉGLAGES

DE

LIEFERUMFANG

Sie brauchen

▲ VORSICHT: Ziehen Sie die Schrauben nicht zu fest an!

1 DER BASIS BEFESTIGEN

☉ Für Gipskartonplatte

☰ Für Holzbalken

☷ Für Massivbeton- oder Betonblock

2 SETZEN IN DIE HALTERUNG EIN

3 VERLEGEN DES LAUTSPRECHER STROMKABELS

4 MONTIEREN DES LAUTSPRECHERS

5 ANBRINGEN DER BAUGRUPPE AN DER WANDPLATTE

6 ANSCHLIESSEN DES NETZKABELS

EINSTELLUNGEN

NL

WAT ZIT ER IN DE VERPAKKING?

Leg het gereedschap klaar

▲ LET OP: Draai de schroeven niet te vast!

1 DE BASIS MONTEREN

☉ Voor gipsplaat

☰ Voor houten dragers

☷ Voor massief beton of betonblokken

2 PLAATS IN DE MONTAGE

3 VIER DE VEDINGSKABEL

4 BEVESTIG LUIDSPREKER

5 MONTAR EL CONJUNTO A LA PLACA MURAL

6 VEDINGSKABEL AANSLUITEN

AANPASSINGEN

SV

VAD FINNS I LÅDAN?

Ta dina verktyg

▲ FÖRSIKTIGT: Dra inte åt skruvarna för hårt!

1 SÄKRA BASEN

☉ För gipsväg

☰ För träreglar

☷ För massiv betong eller betongblock

2 SÖTT FAST I FÖSTET

3 DRA IGENOM STRÖMSLADD TILL HÖGTALARE

4 MONTERA HÖGTALARE

5 INSTALLERA FÄSTET PÅ VÄGGPLATTAN

6 ANSLUTA ELSLADD

JUSTERINGAR

RU

КОМПЛЕКТ ПОСТАВКИ

Хватайте инструменты и вперед!

▲ ПРЕДОСТЕРЕЖЕНИЕ! Не затягивайте винты с излишним усилием!

1 КРЕПЛЕНИЕ ОСНОВАНИЮ

☉ Для установки на гипсокартон

☰ Для установки на деревянные стойки

☷ Для установки на бетона или бетонных блоков

2 Вставьте на крепление

3 Подключите шнур питания колонки

4 Прикрепите колонку

5 Установите сборку на настенную панель

6 Подключение шнура питания

Регулировки

ZH

包装箱中的内容

需要准备的工具

▲ 注意: 请勿过度拧紧螺丝!

1 安装安装基座 至您的墙壁

☉ 对于干墙

☰ 对于木墙柱

☷ 实心混凝土或混凝土砌块

2 安装 到支架上

3 安装电缆管理组件

4 安装扬声器

5 安装组件到壁板

6 插入电源线

调节

JA

同梱品

必要なツール

▲ 注意: ネジを締めすぎないようにしてください。

1 マウントベースをウォールに取り付けます

☉ 石膏ボードの場合

☰ 木製スタッドの場合

☷ 打放しコンクリートまたはコンクリートブロック

2 取り付け

3 ケーブルマネジメントを取り付けます

4 スピーカーを取り付ける

5 アセンブリをウォールプレートに設置する

6 電源コードを接続する

調整

Thank you for choosing SANUS! Please take a moment to let us know how we did:

Legrand AV Inc. 6436 City West Parkway; Eden Prairie, MN 55344, USA
US: 1-800-359-5520 • info@SANUS.com
 SANUS.com

Legrand AV Netherlands B.V. Franklinstraat 14 6003 DK Weert, Netherlands
UK: 0800-056-2853 • **EMEA:** +31 (0) 495 580 852 • info@SANUS.com
 SANUS.com

Legrand AV Inc. and its affiliated corporations and subsidiaries (collectively, "Legrand"), intend to make this manual accurate and complete. However, Legrand makes no claim that the information contained herein covers all details, conditions, or variations. Nor does it provide for every possible contingency in connection with the installation or use of this product. The information contained in this document is subject to change without notice or obligation of any kind. Legrand makes no representation of warranty, expressed or implied, regarding the information contained herein. Legrand assumes no responsibility for accuracy, completeness or sufficiency of the information contained in this document.

©2020 Legrand AV Inc. All Rights Reserved. SANUS is a Legrand AV Inc. brand and a registered trademark owned by Legrand.

Legrand AV Inc. • 6436 City West Parkway • Eden Prairie, MN 55344 USA

6901-602684 00