

# 24" Recessed Handle ADA-compliant Dishwasher



300 Series – Stainless Steel SGE53B55UC



**SGE53B55UC**  
Stainless Steel

In the future, will be available in:

White SGE53B52UC  
Black SGE53B56UC

**This lower height dishwasher is ADA Compliant for ease of use.**

## Features & Benefits

46 dBA: dishwasher runs quietly so your kitchen conversations aren't interrupted.

Get hands-free voice operation with Amazon Alexa or Hey Google, smart reordering of detergent tabs via the Amazon Alexa app, plus so much more—all with the Home Connect™ app on your smartphone.

The RackMatic® adjustable upper rack can be lifted and lowered to fit taller dishes.

The Favorite button allows you to easily access your preferred cycle/option combination with 1 touch.

AquaStop Plus® detects leaks with a dual sensor system, and then contains them for premium protection.

## General Properties

Number of wash cycles	5
Number of options	5
Special Program	Machine Care
dBA	46
Drying system	PureDry
Third rack	No
Rack adjustability	3-step RackMatic®
Tub material	Stainless steel
Control type	Buttons
Concealed water heating element	Yes
Leak protection system	24/7 AquaStop® Plus
Water softener	Yes
Five-level wash	Yes
ChildLock	Yes
Home Connect™ (Wi-Fi enabled)	Yes
Special features	24h delay start, Favorite button

## Efficiency

Water usage per cycle	3.5 gal
Energy efficiency class	Tier 1
ENERGY STAR® certified	Yes
Total annual energy consumption (kWh)	269
Total annual water consumption (g)	489

## Capacity

Number of place settings	13
--------------------------	----

## Technical Details

Watts (W)	1440 W
Current (A)	12 Amps
Volts (V)	120 V
Frequency (Hz)	60 Hz
Power cord full length	67"
Power cord install length from edge of unit when facing the door (in)	Left – 47 1/4" Right – 47 1/4"
Minimum water pressure (lb/sin)	7
Length inlet hose (in)	65"
Length outlet hose (in)	74 3/4"

## Dimensions & Weight

Overall appliance dimensions (HxWxD) (in)	32 1/16" x 23 9/16" x 22 9/16"
Required cutout size (HxWxD) (in)	32 1/8" x 24" x 24"
Adjustable feet	Yes
Net weight (lbs)	82 lbs

## Accessories—Optional

Junction Box	SMZPCJB1UC
Dishwasher Softener Salt (4.4 lbs)	SGZ9091UC
Dishwasher Drain Hose Extension 76 3/4"	SGZ1010UC
Accessory Kit	SMZ5000
Anti-tarnish Silverware Cassette	SMZ5002UC
Edge Protector + Power Cord Clip Install Kit	SMZEPCC1UC



**Accessories:** To purchase Bosch accessories, cleaners & parts please visit [www.bosch-home.com/us/store](http://www.bosch-home.com/us/store) or call 1-800-944-2904 (Mon to Fri 5 am to 6 pm PST, Sat 6 am to 3 pm PST).

**Notes:** All height, width and depth dimensions are shown in inches. BSH reserves the absolute and unrestricted right to change product materials and specifications, at any time, without notice. Consult the product's installation instructions for final dimensional data and other details prior to making cutout.

**Warranties:** Please see Use & Care manual or Bosch website for statement of limited warranty.

**For more information on our entire line of products, go to [www.bosch-home.com/us](http://www.bosch-home.com/us) or call 1-800-944-2904**

© BSH Home Appliances Corporation. All rights reserved. Bosch is a registered trademark of Robert Bosch GmbH.

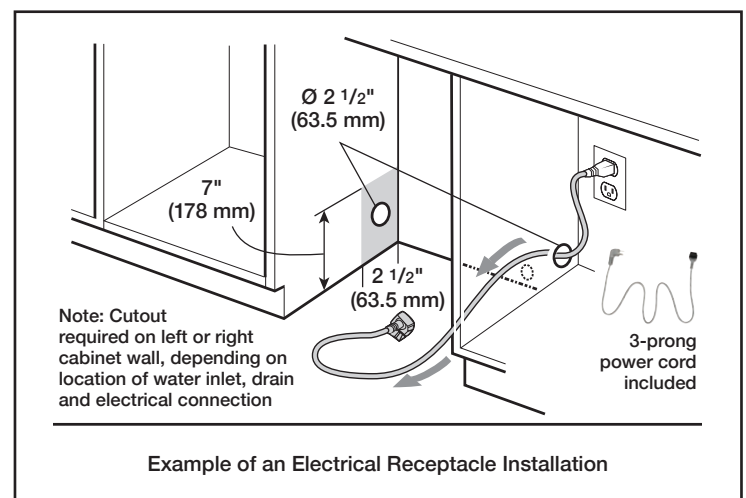
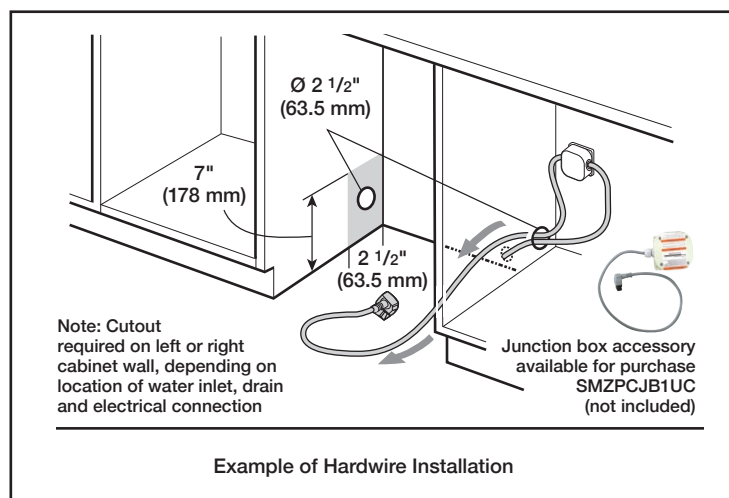
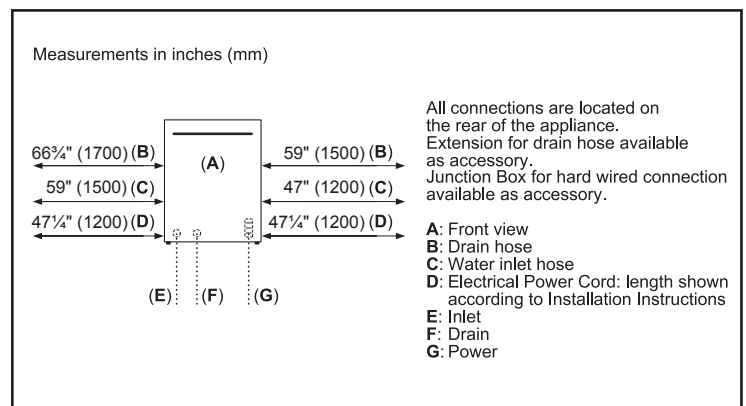
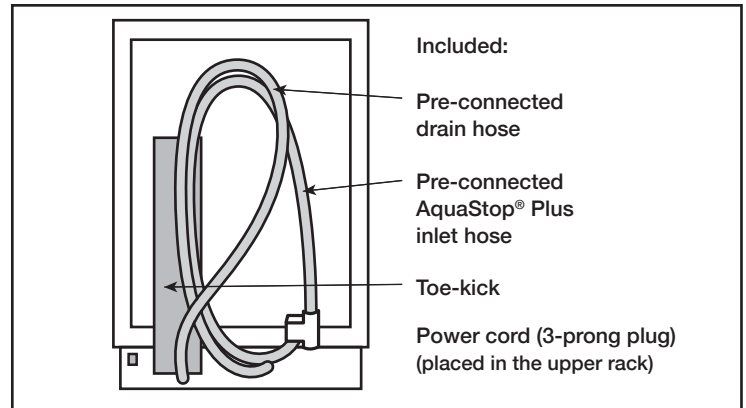
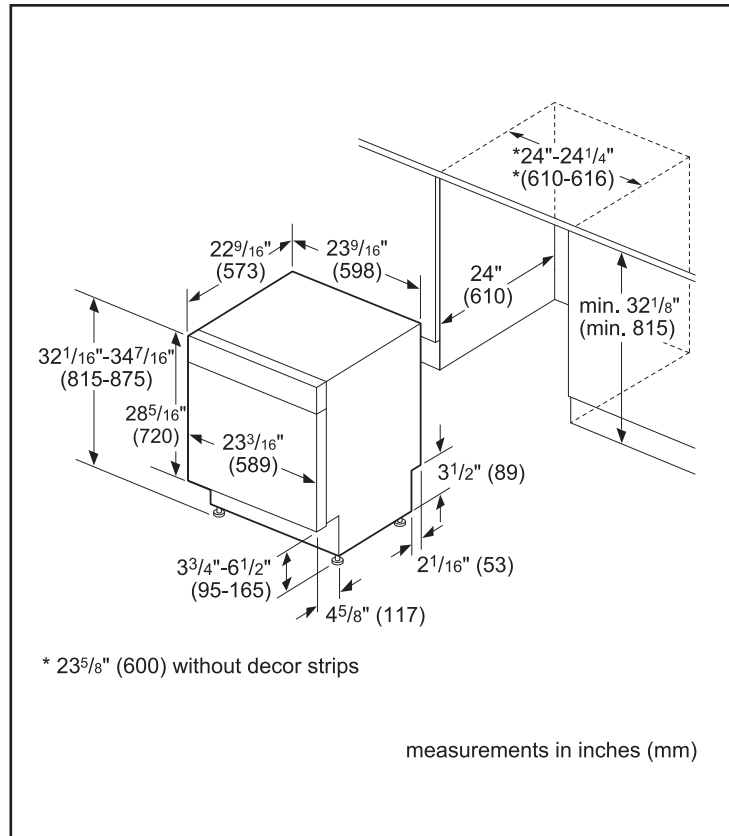
# 24" Recessed Handle ADA-compliant Dishwasher



**BOSCH**  
Invented for life

300 Series – Stainless Steel SGE53B55UC

## Installation Details



**Accessories:** To purchase Bosch accessories, cleaners & parts please visit [www.bosch-home.com/us/store](http://www.bosch-home.com/us/store) or call 1-800-944-2904 (Mon to Fri 5 am to 6 pm PST, Sat 6 am to 3 pm PST).

**Notes:** All height, width and depth dimensions are shown in inches. BSH reserves the absolute and unrestricted right to change product materials and specifications, at any time, without notice. Consult the product's installation instructions for final dimensional data and other details prior to making cutout.

**Warranties:** Please see Use & Care manual or Bosch website for statement of limited warranty.

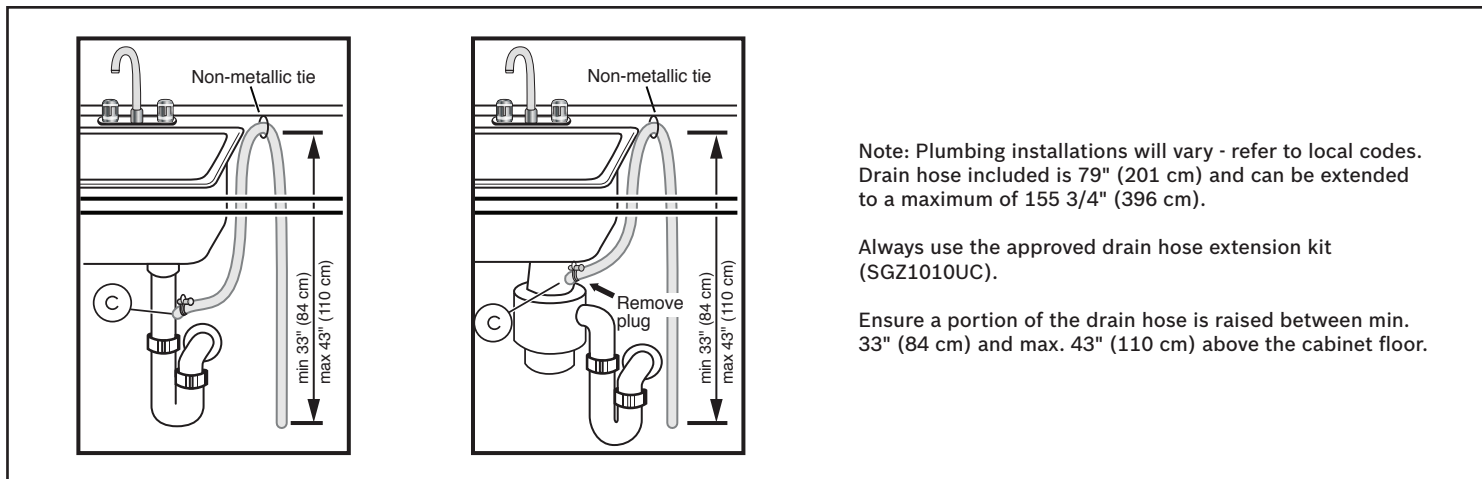
**For more information on our entire line of products, go to [www.bosch-home.com/us](http://www.bosch-home.com/us) or call 1-800-944-2904**

© BSH Home Appliances Corporation. All rights reserved. Bosch is a registered trademark of Robert Bosch GmbH.

# 24" Recessed Handle ADA-compliant Dishwasher

300 Series – Stainless Steel SGE53B55UC

## Installation Details



**Accessories:** To purchase Bosch accessories, cleaners & parts please visit [www.bosch-home.com/us/store](http://www.bosch-home.com/us/store) or call 1-800-944-2904 (Mon to Fri 5 am to 6 pm PST, Sat 6 am to 3 pm PST).

**Notes:** All height, width and depth dimensions are shown in inches. BSH reserves the absolute and unrestricted right to change product materials and specifications, at any time, without notice. Consult the product's installation instructions for final dimensional data and other details prior to making cutout.

**Warranties:** Please see Use & Care manual or Bosch website for statement of limited warranty.

**For more information on our entire line of products, go to [www.bosch-home.com/us](http://www.bosch-home.com/us) or call 1-800-944-2904**

© BSH Home Appliances Corporation. All rights reserved. Bosch is a registered trademark of Robert Bosch GmbH.