

Broil King®

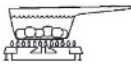
ASSEMBLY MANUAL & PARTS LIST - MANUEL DE MONTAGE & LISTE DE PIÈCES



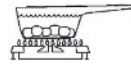
Broil King
BARON 520 PRO
8762-14
8762-17
BARON 520
8762-54
8762-57



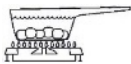
Broil King
BARON S520 PRO
8763-14
8763-17



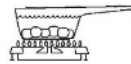
Broil King
BARON 540 PRO
8762-24
8762-27



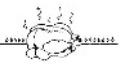
Broil King
BARON S540 PRO
8763-24
8763-27



Broil King
BARON 590 PRO
8762-44
8762-47
BARON 590
8762-84
8762-87



Broil King
BARON S590 PRO
8763-44
8763-47




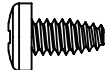
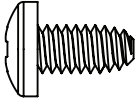
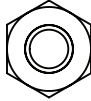
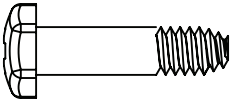

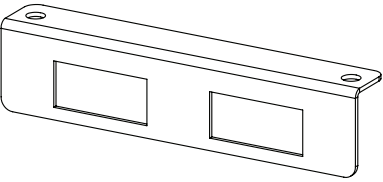
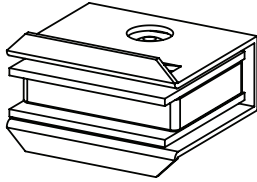
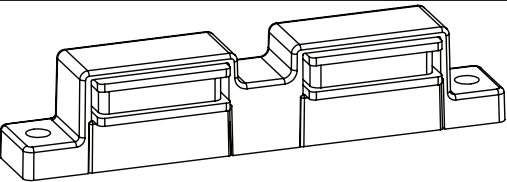
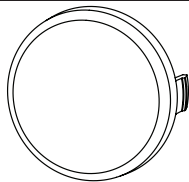
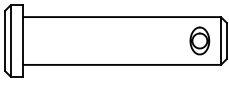
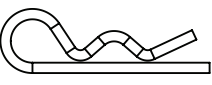
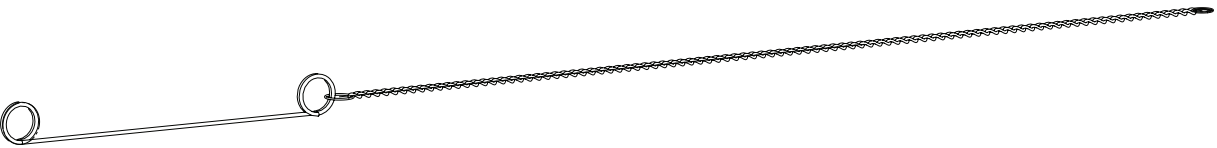
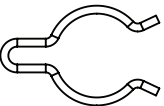
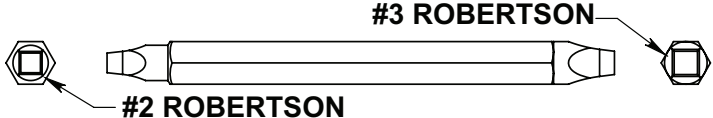
RETAIN FOR FUTURE REFERENCE - VEUILLEZ CONSERVER POUR REFERENCE ULTERIEURE

Onward
MANUFACTURING COMPANY
SINCE 1906
585 KUMPF DRIVE LIMITED
WATERLOO, ONTARIO, CANADA
N2V 1K3

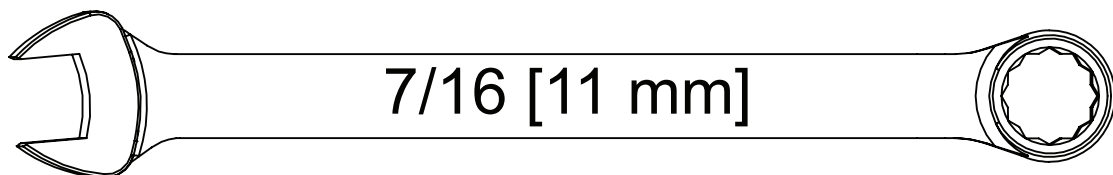
info@omcbbq.com
1-800-265-2150

50084-E80 REV B 09/20

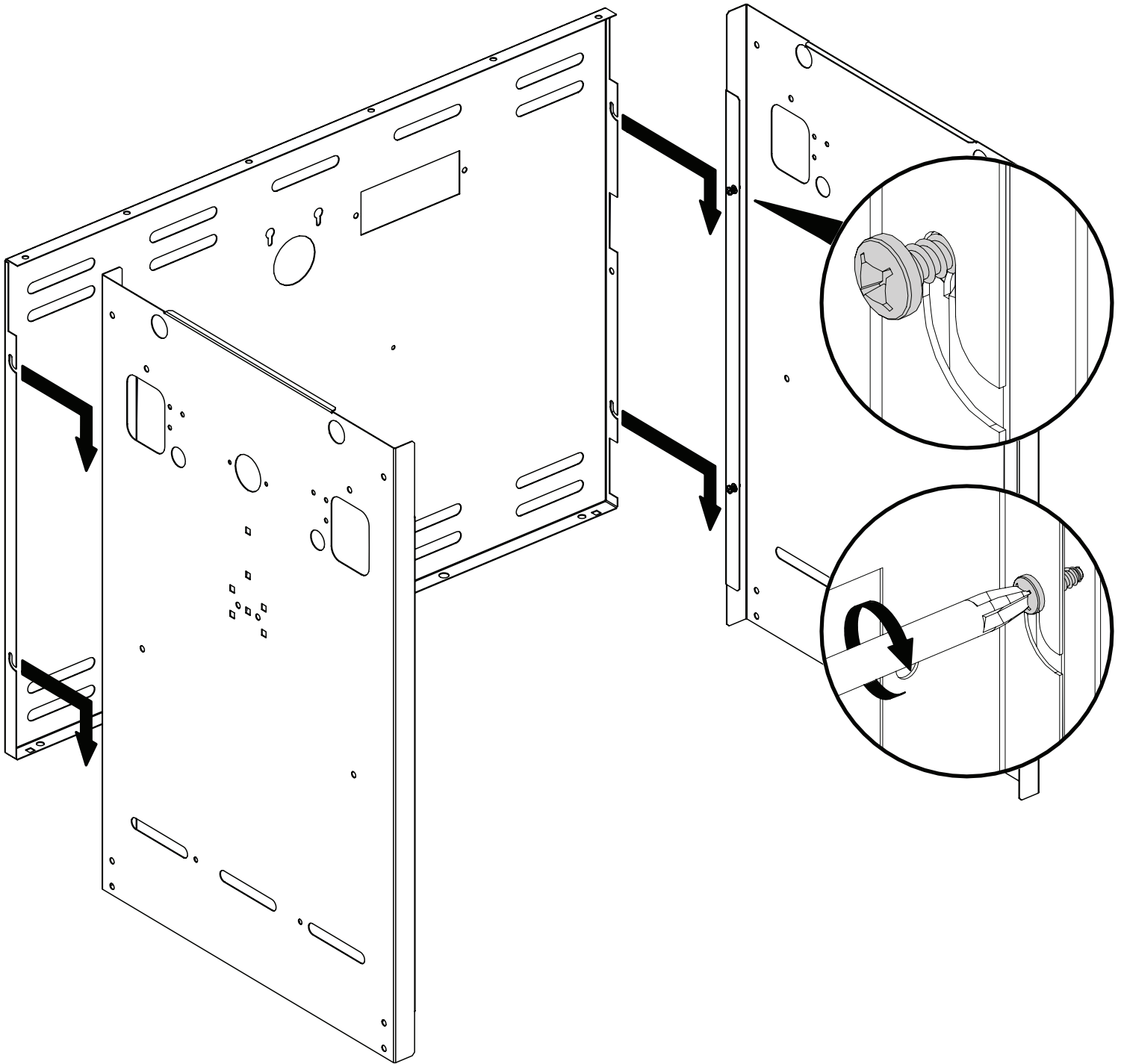
HARDWARE INCLUDED / MATERIAL INCLUS

S21124		(8)	Y-29304		(2)
Y-12865		(22)	Y-11793		(2)
Y-11551		(2)	Y-12124		(2)
56039-211		(1)	Y-12223		(2)
Y-12229		(1)	32001-151		(4)
S21235		(2)	S21233		(2)
20005-000					(1)
Y-11230		(1)			

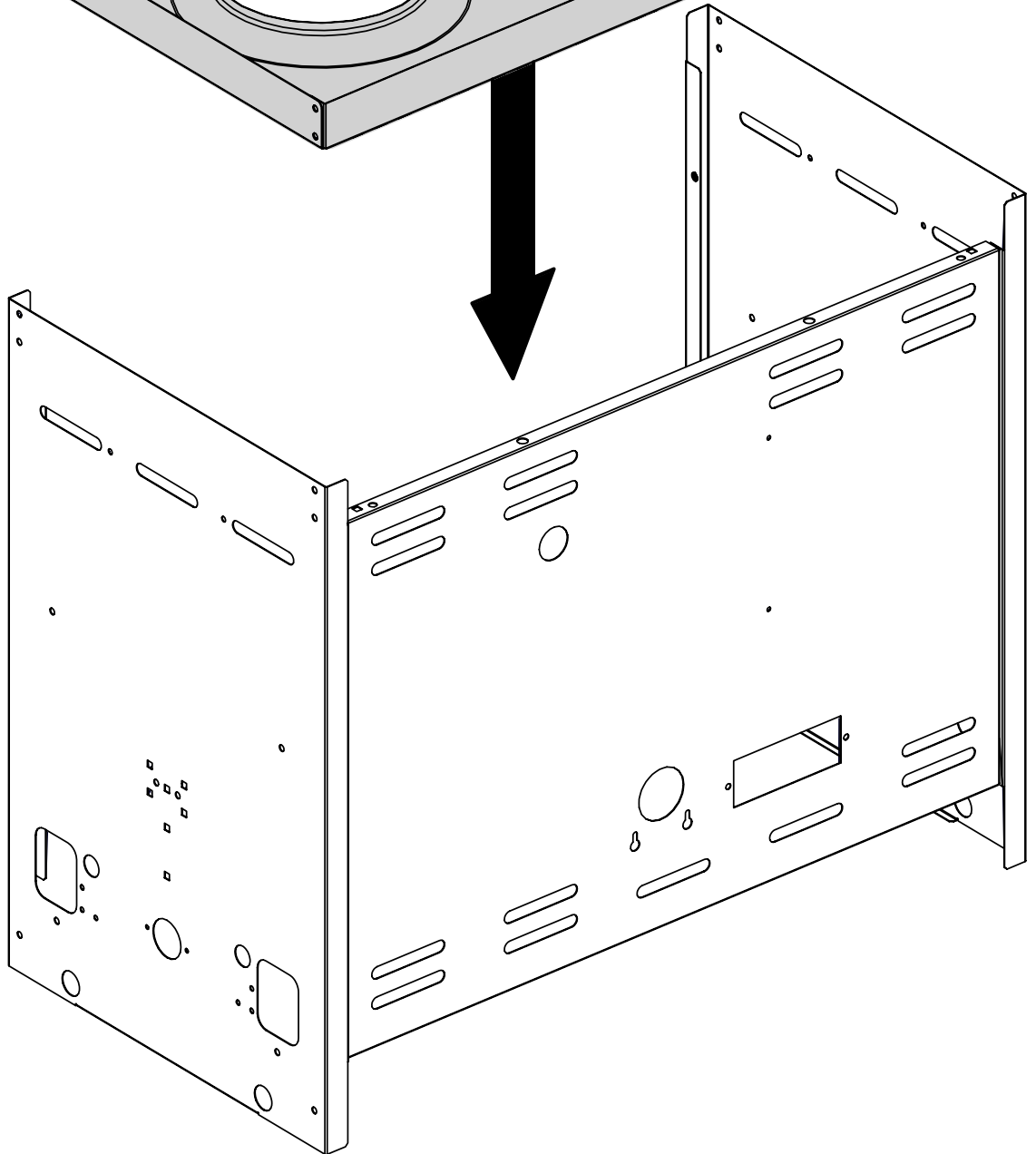
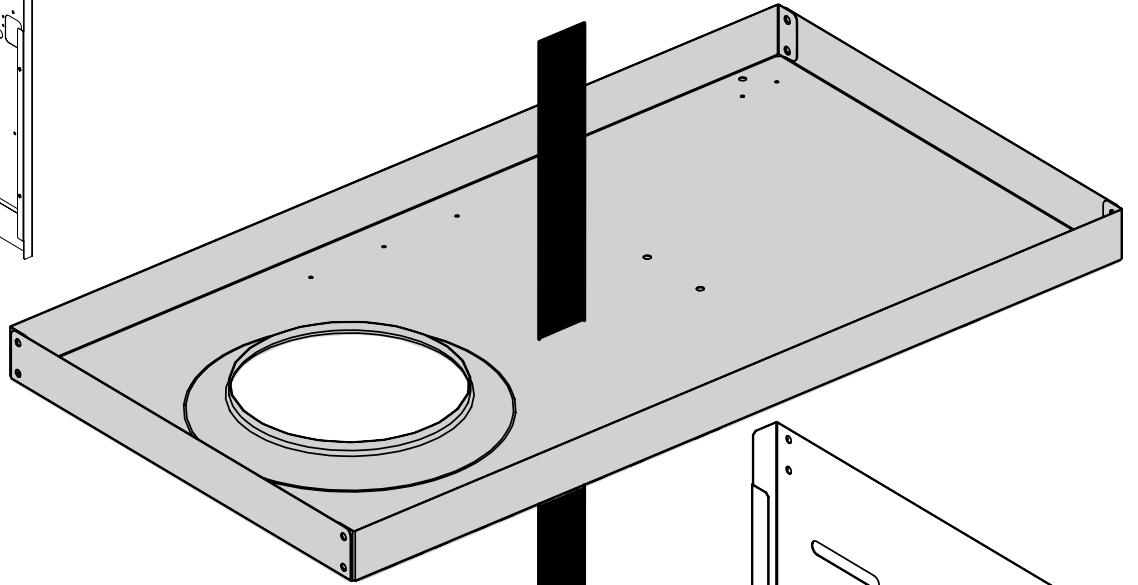
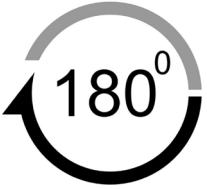
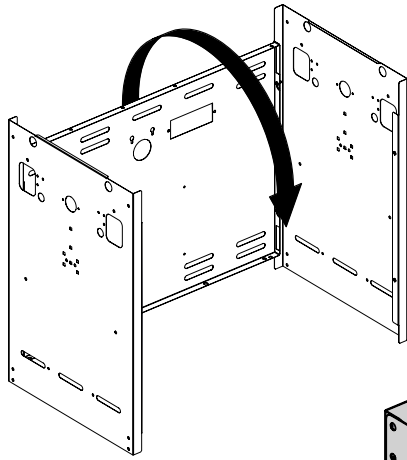
TOOLS REQUIRED / OUTILS NECESSAIRES




1

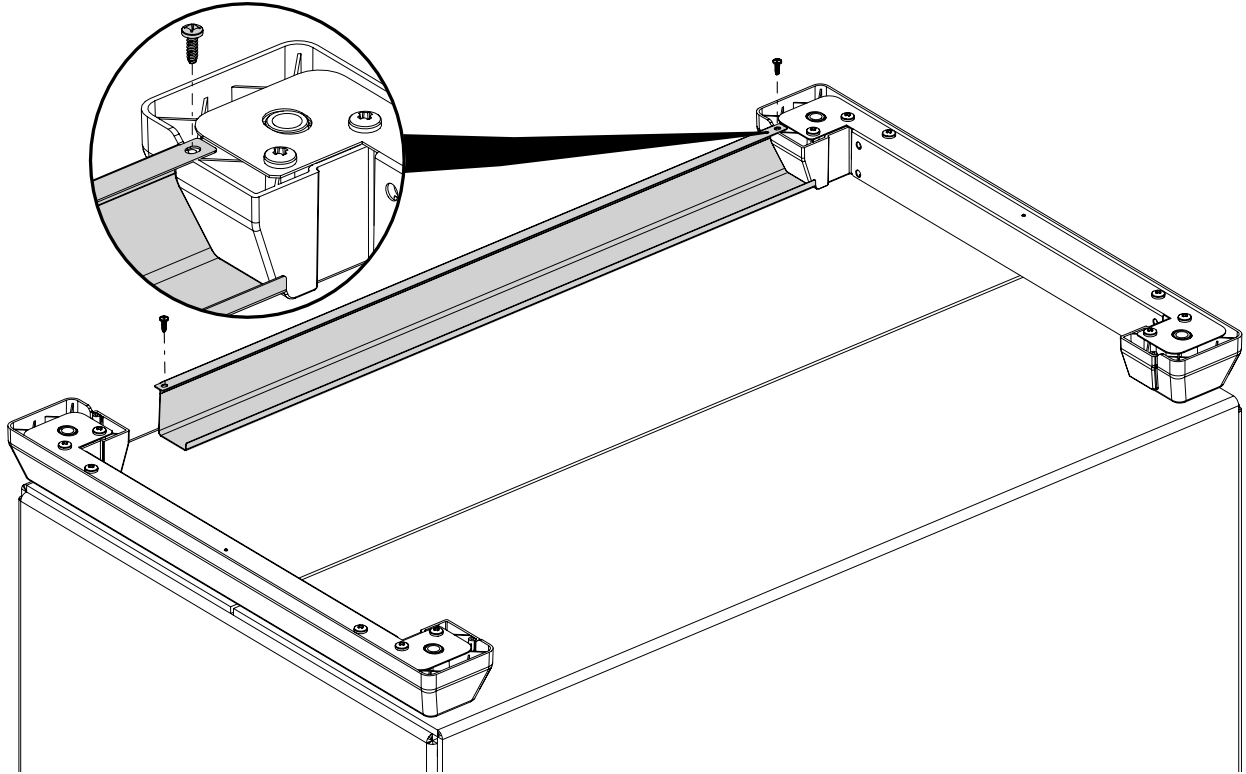


2

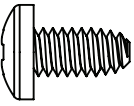


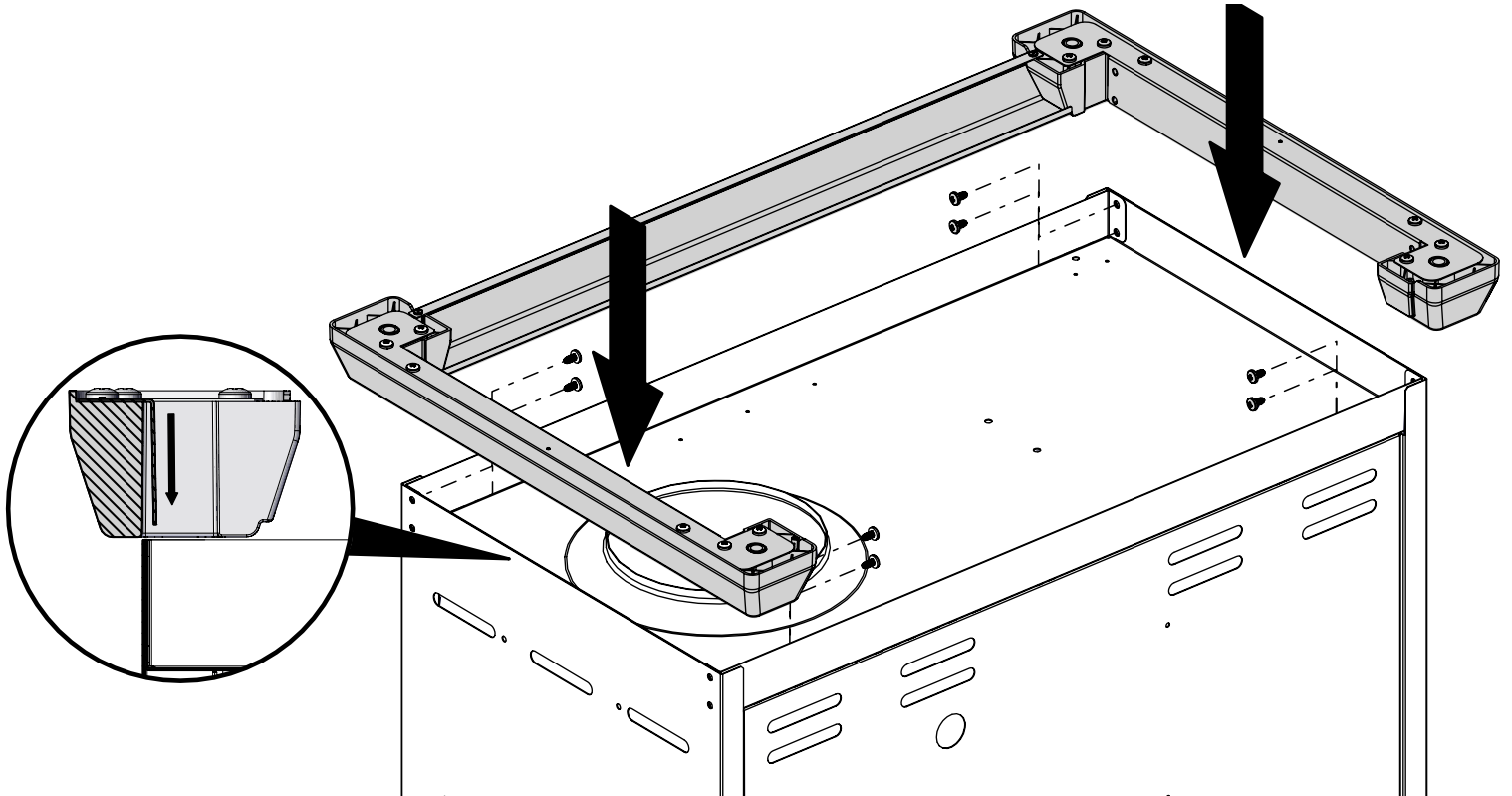
3

(2) 

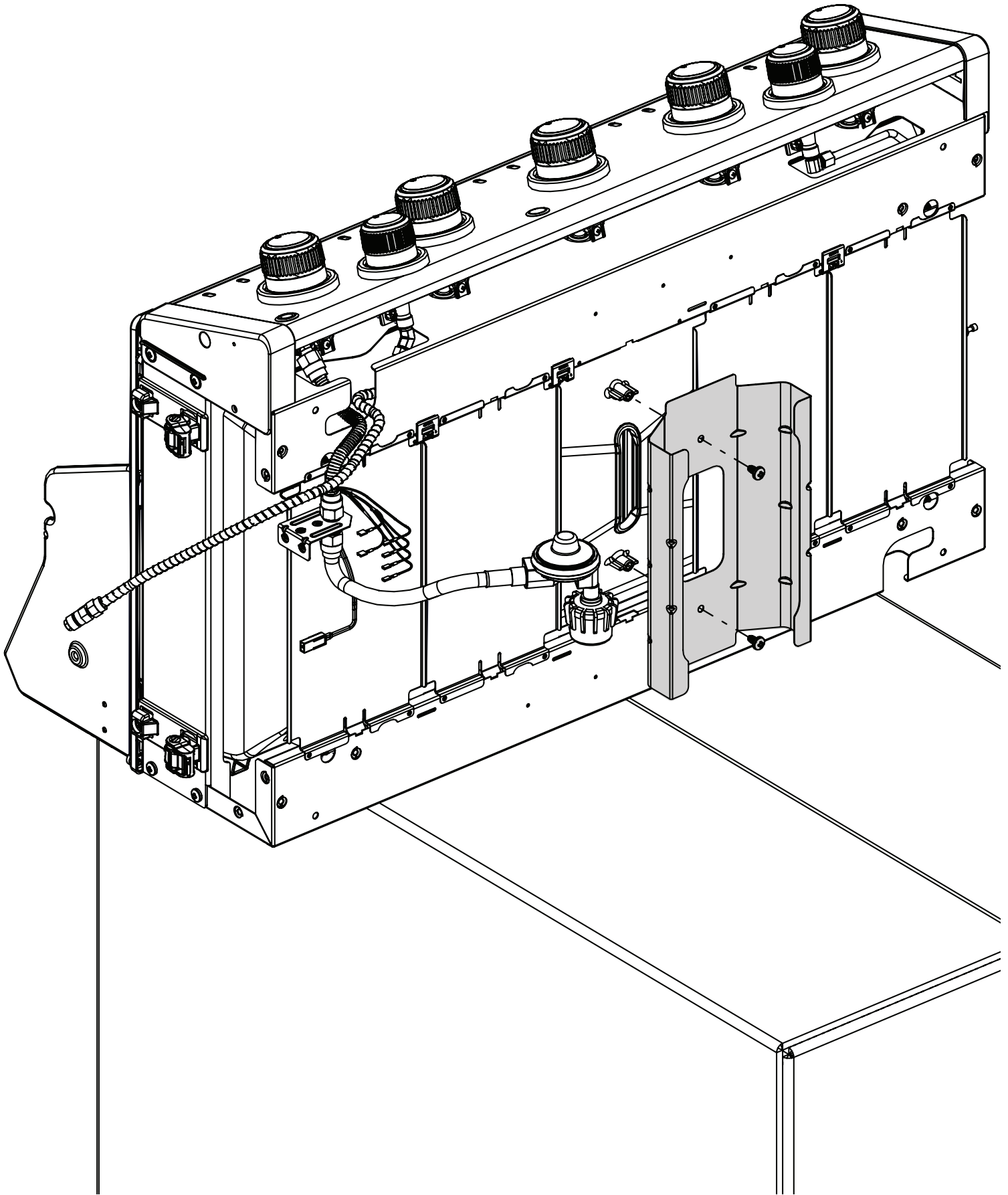
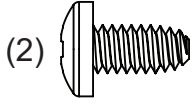


4

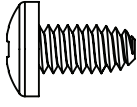
(8) 

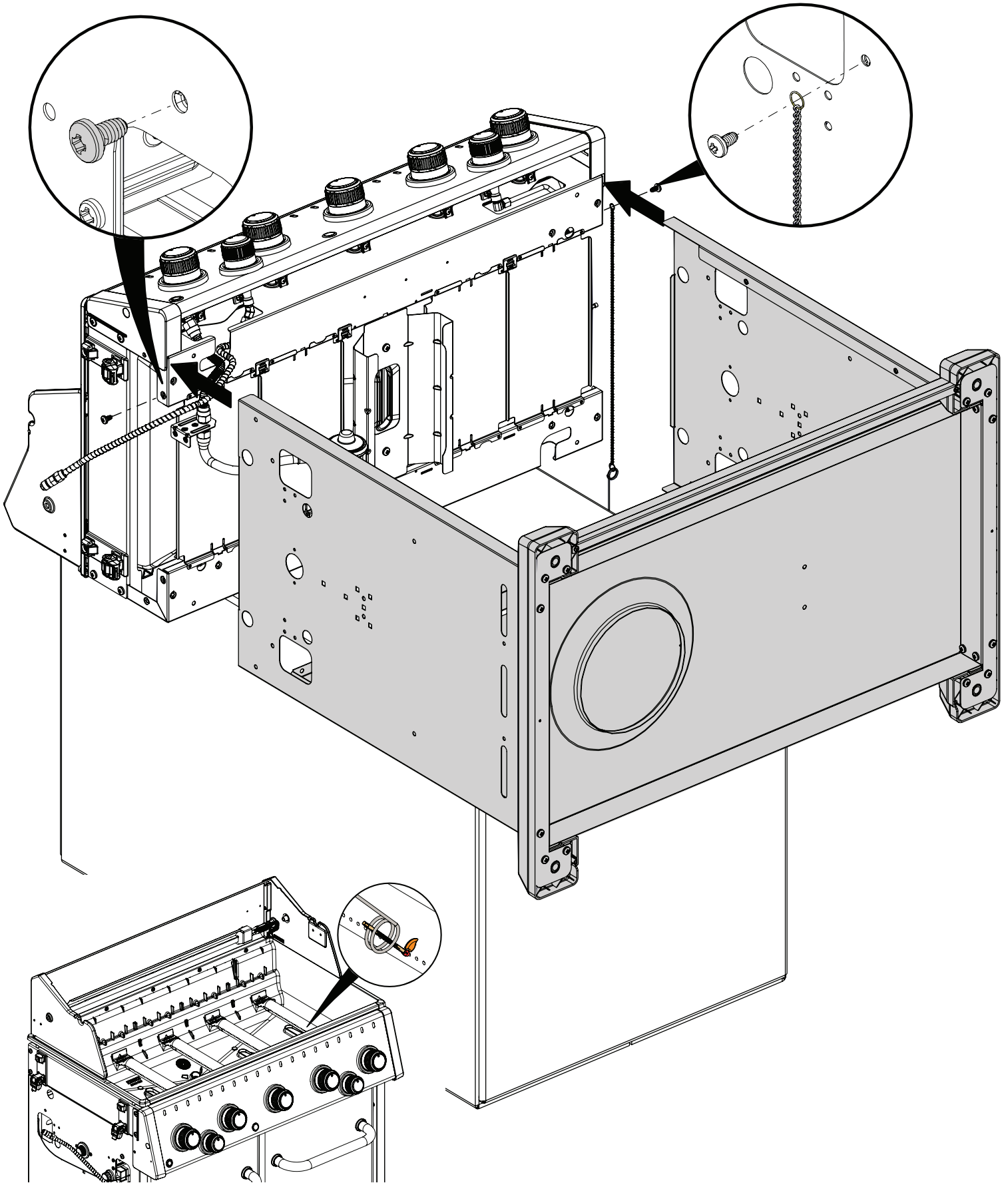


5

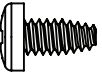


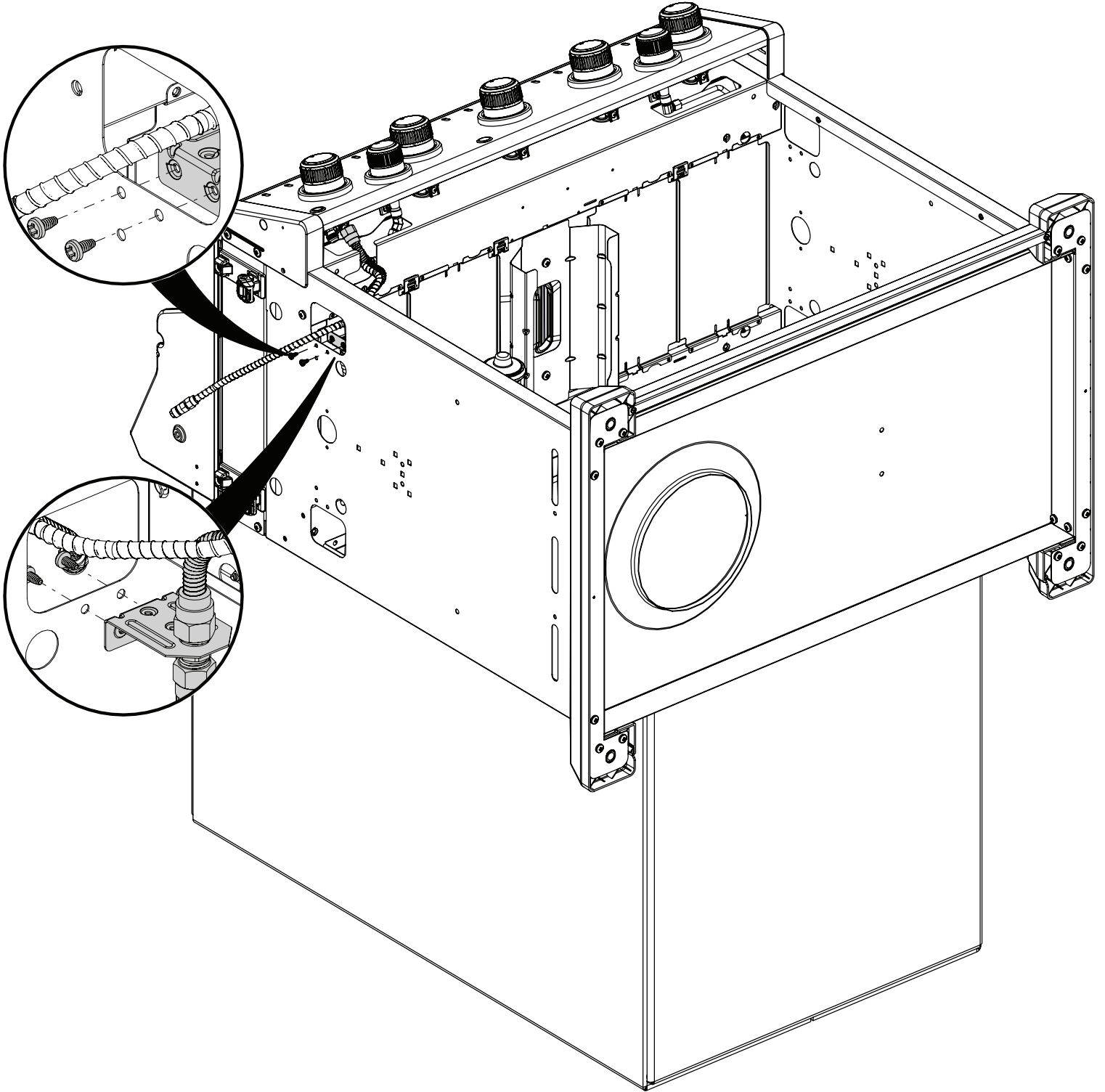
6

(2)  (1)

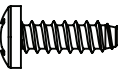


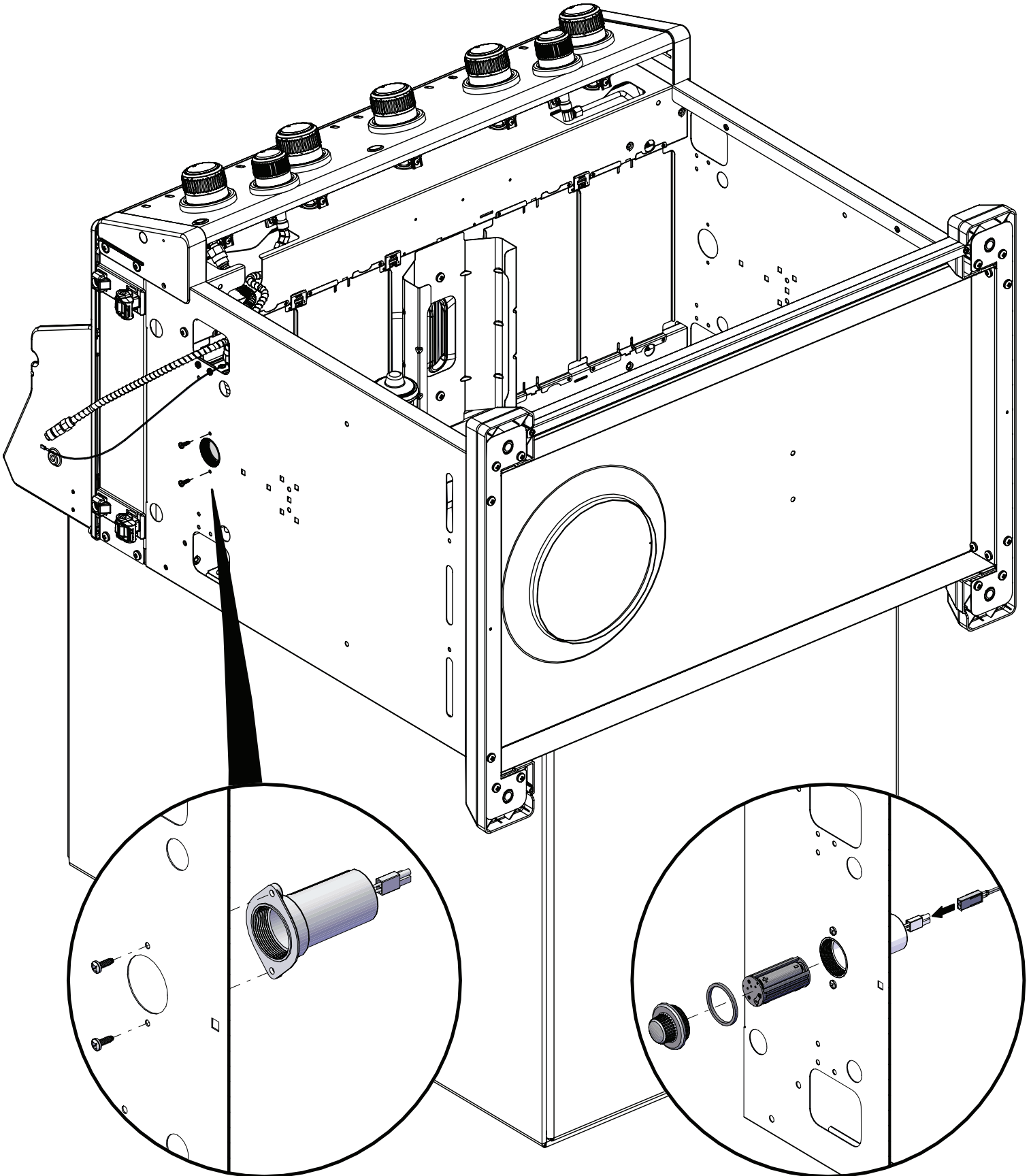
7

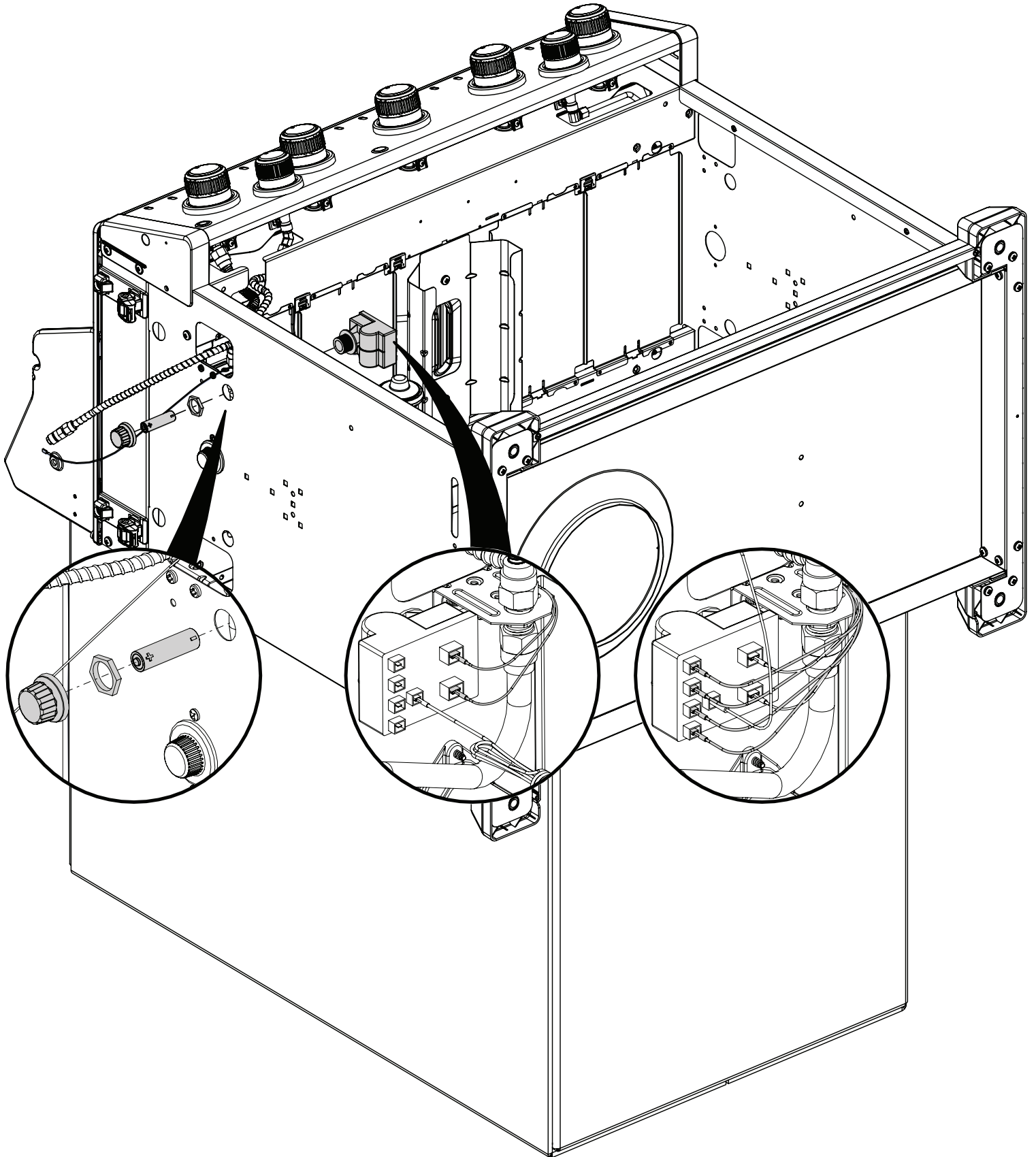
(2) 



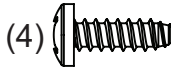
8

(2) 

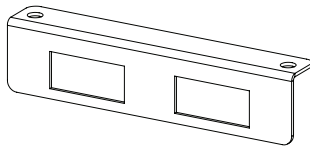




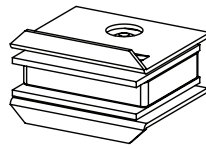
10



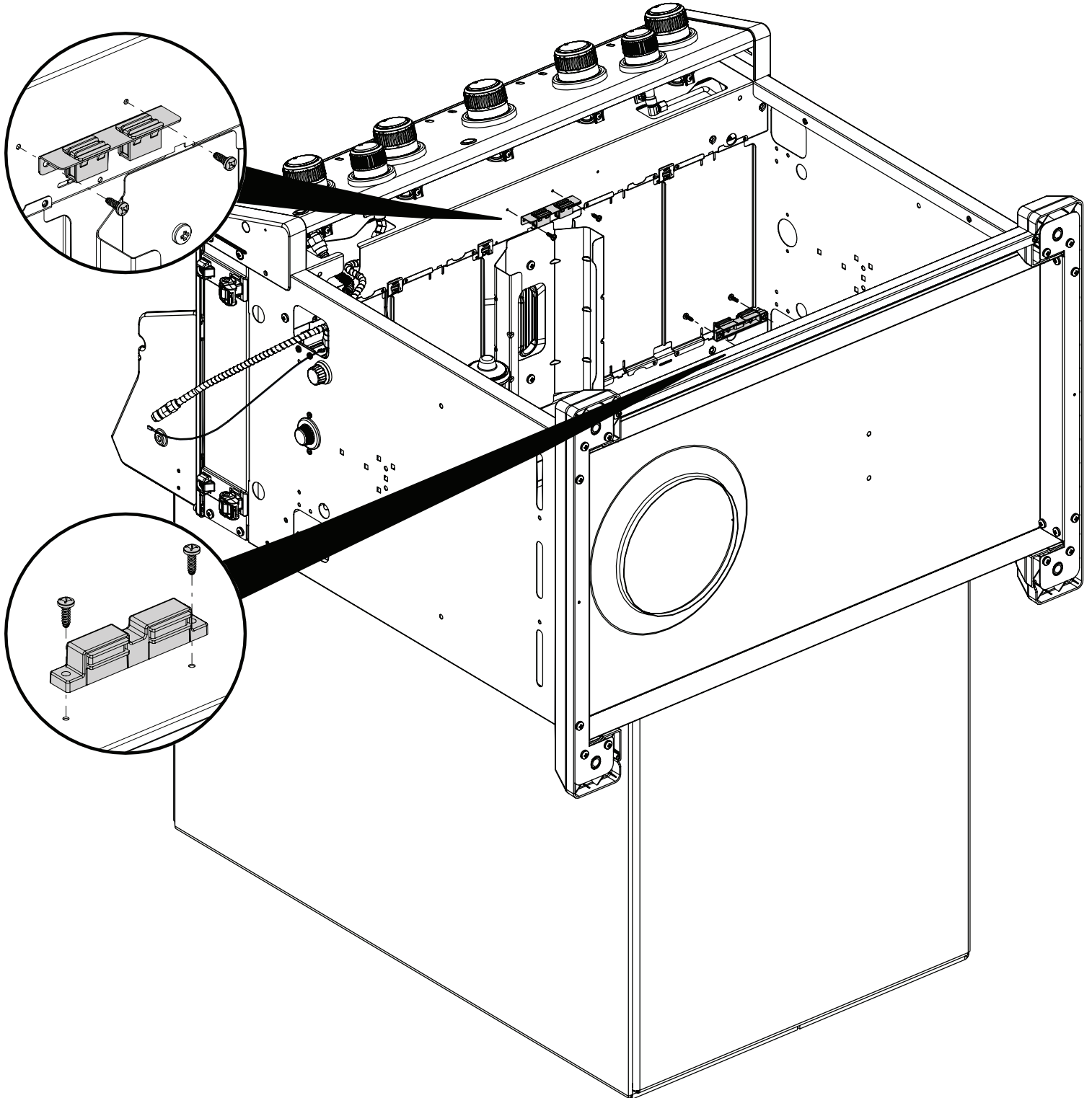
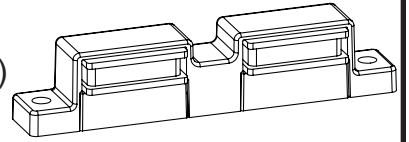
(1)



(2)

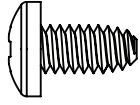


(1)

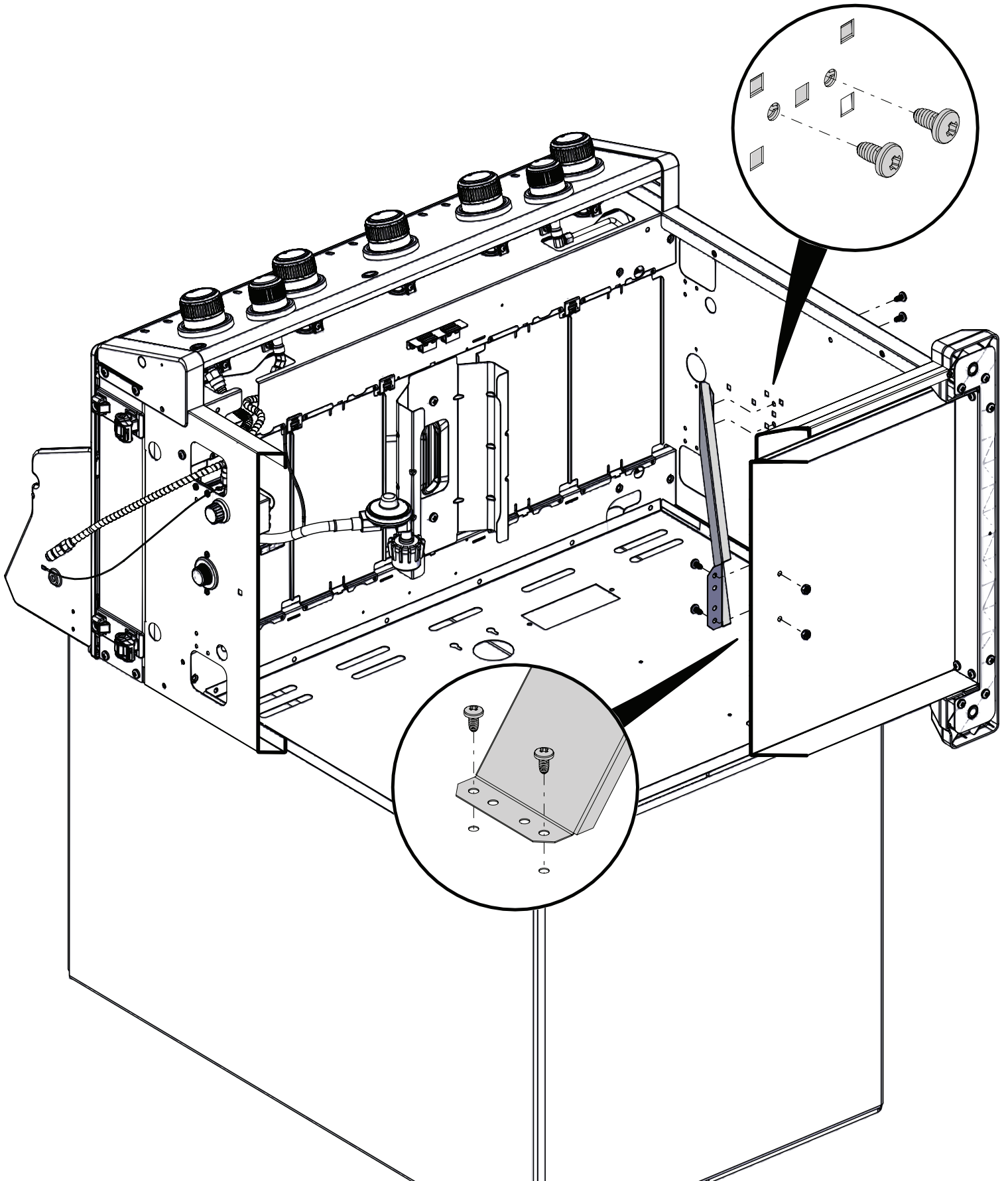
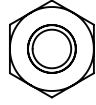


11

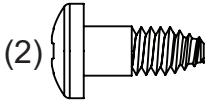
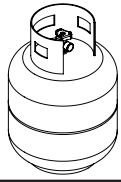
(4)



(2)

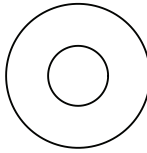


12

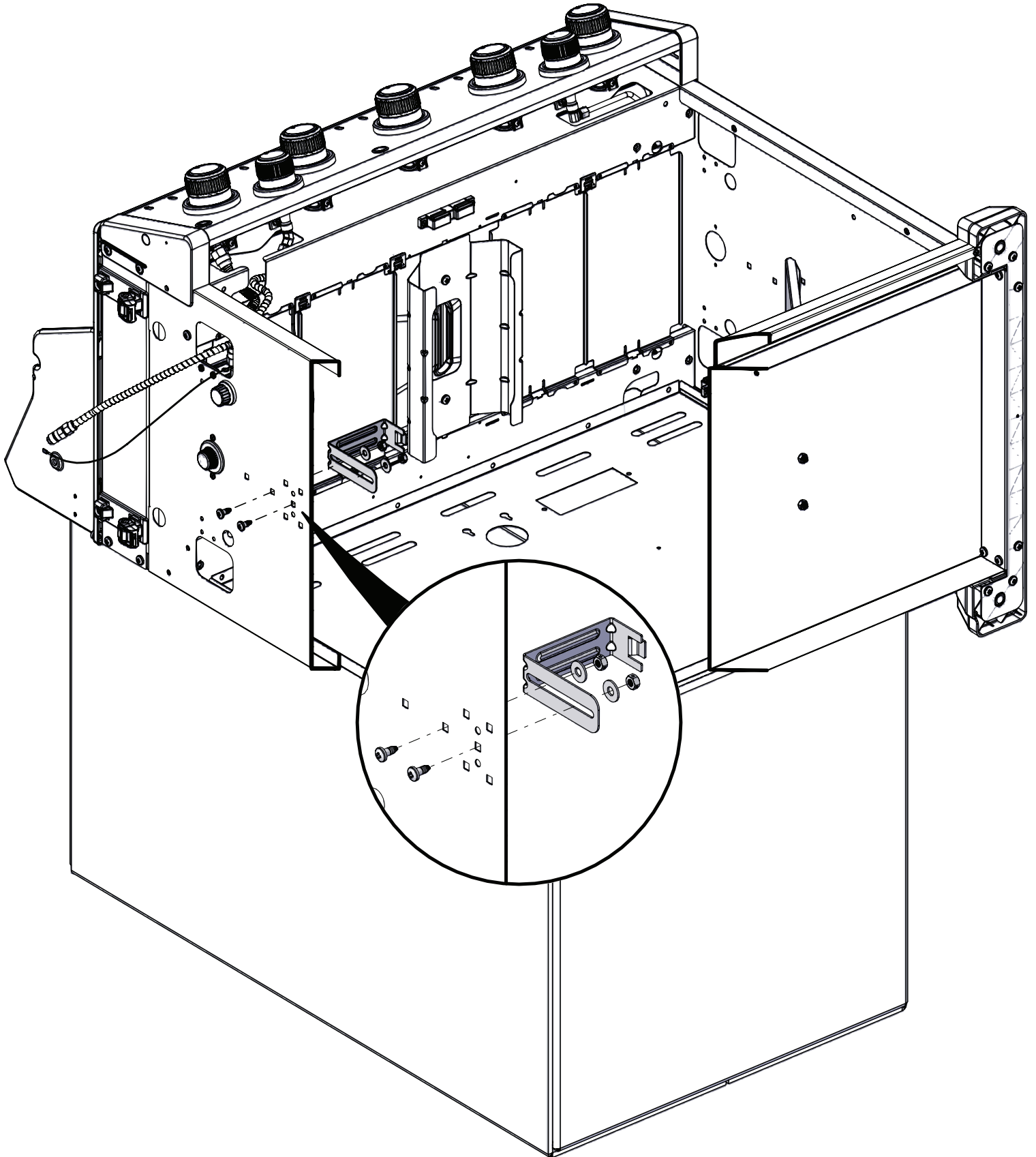


(2)

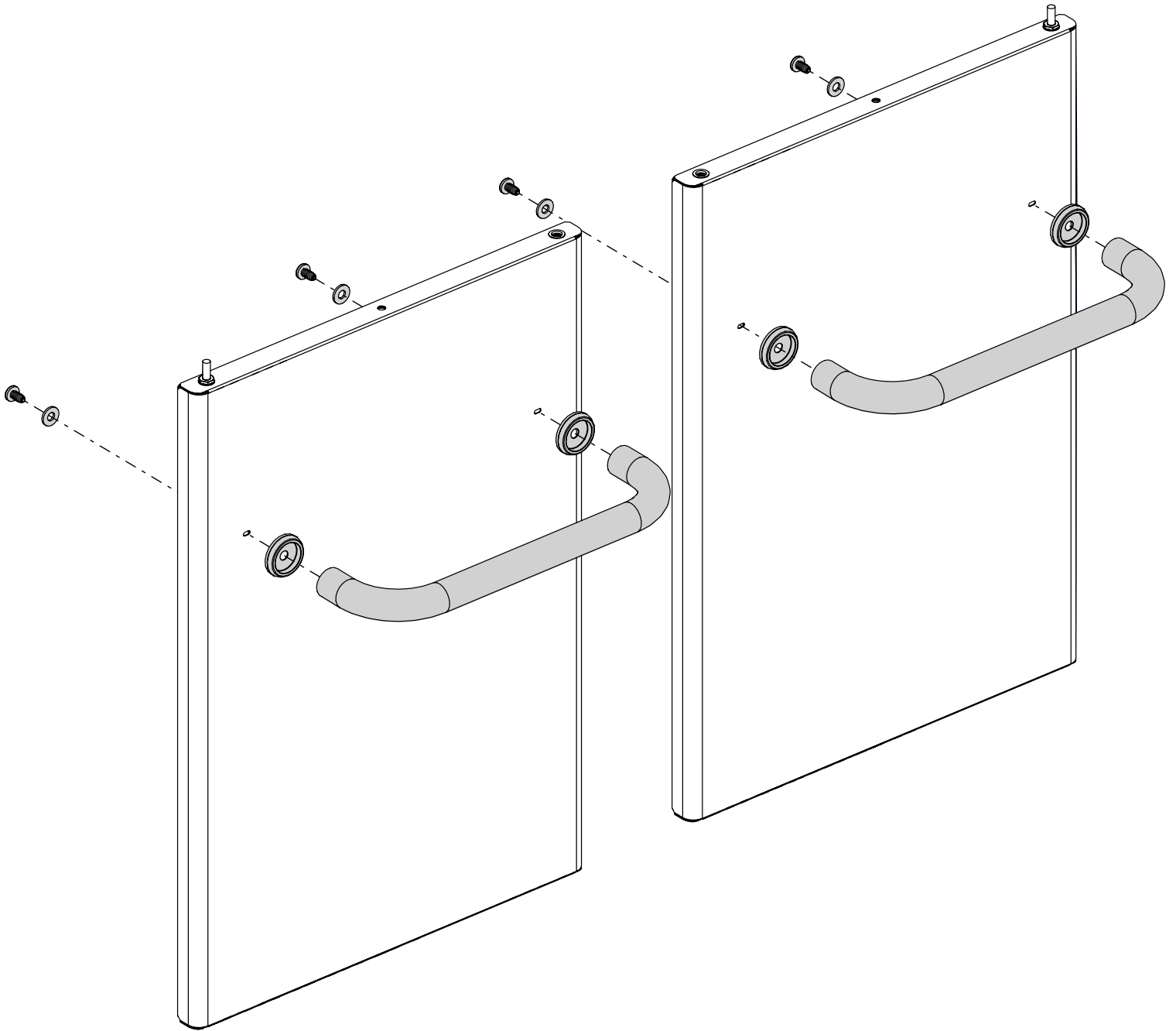
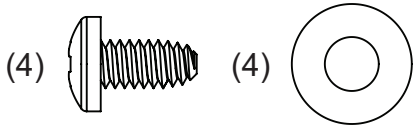
(2)



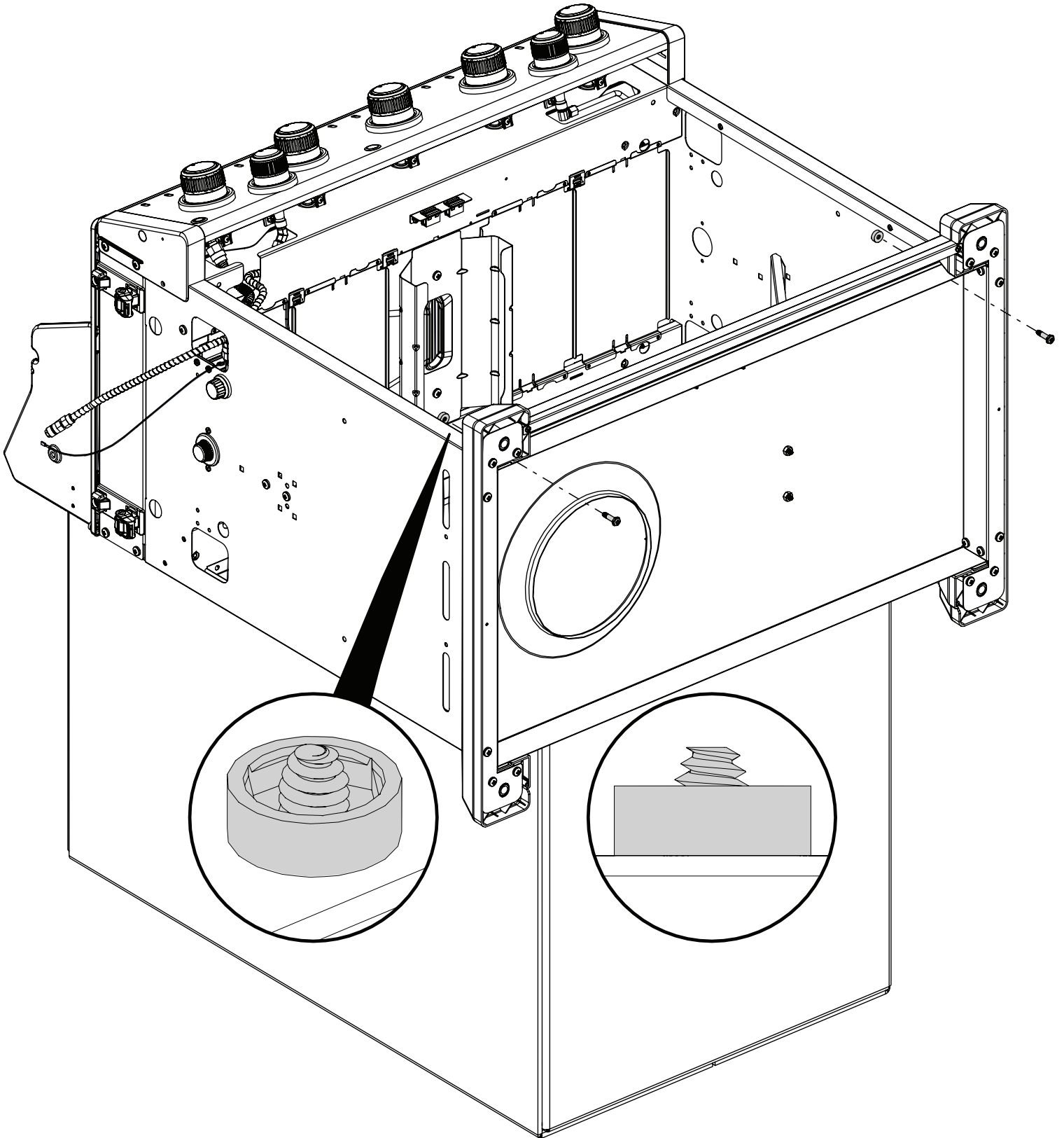
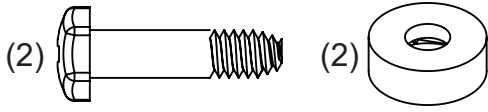
(2)

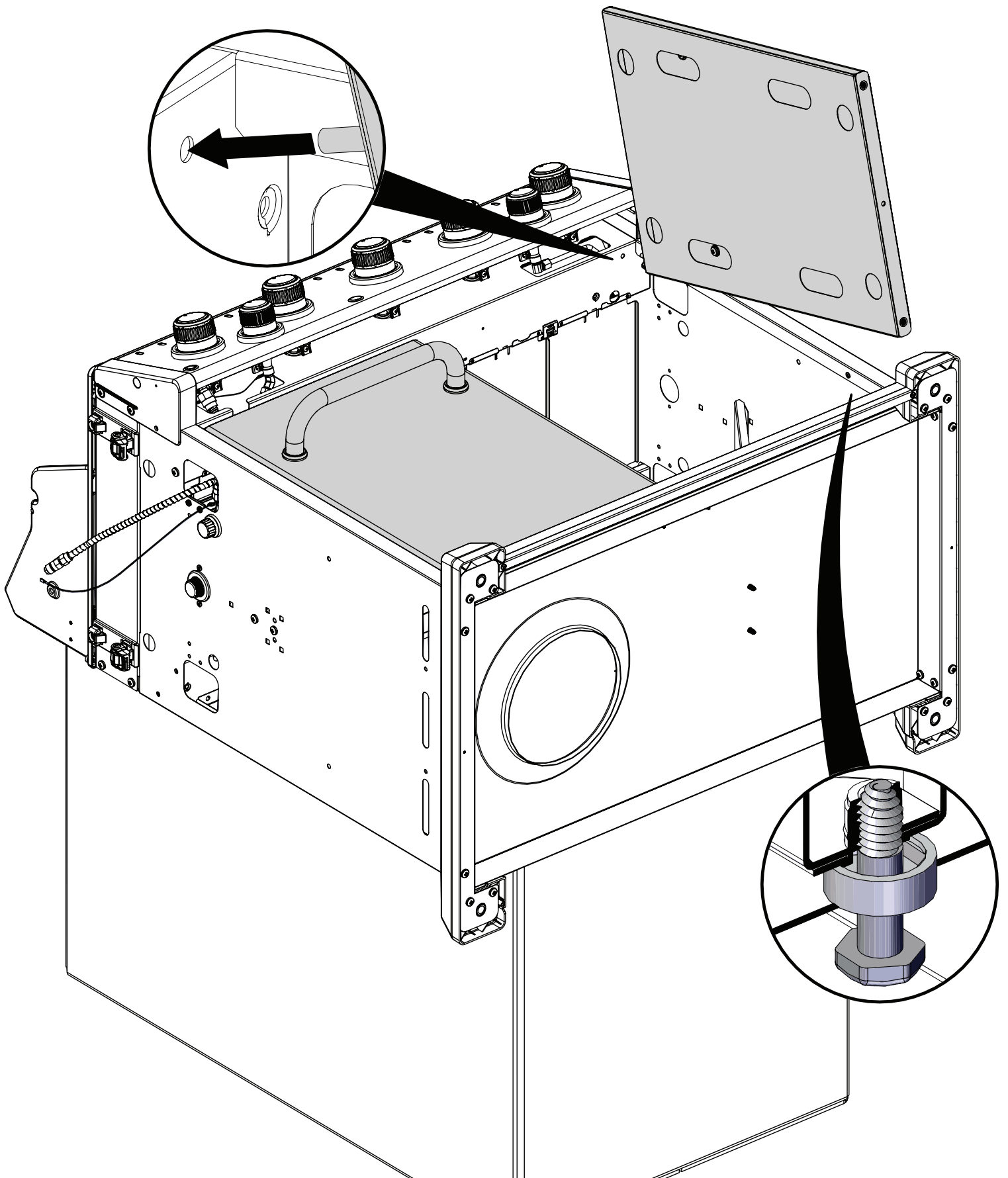


13



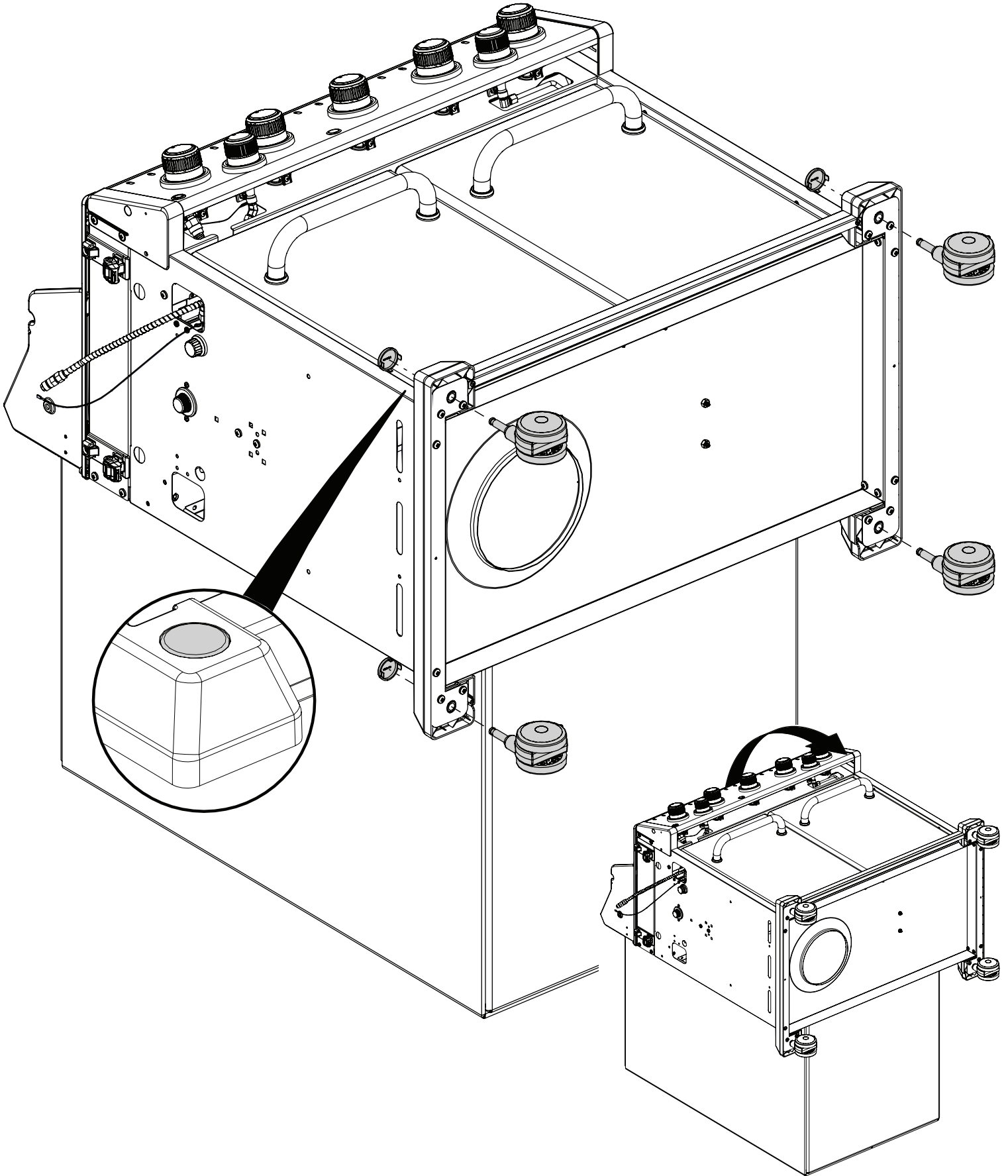
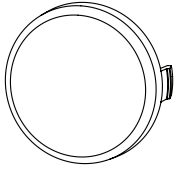
14





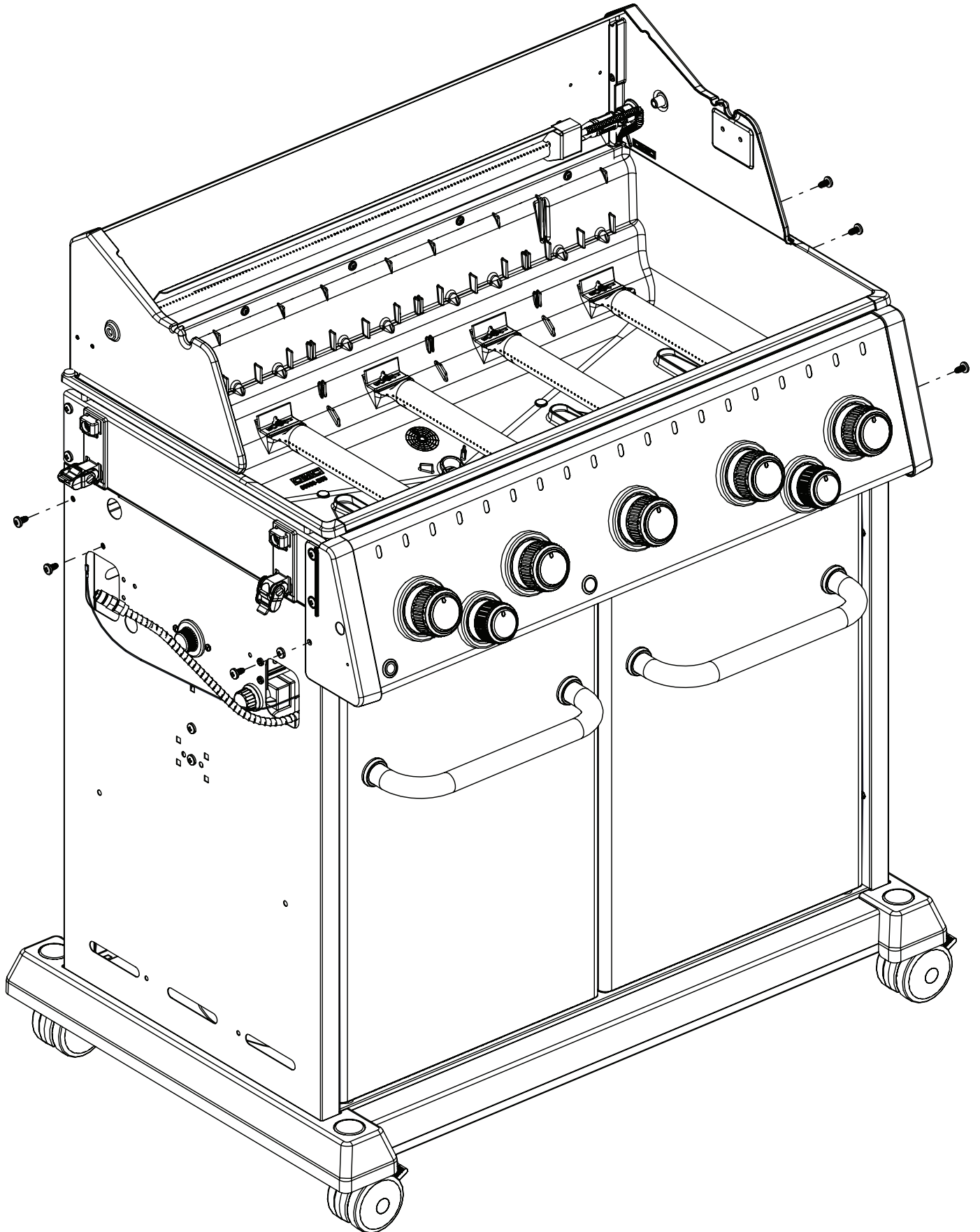
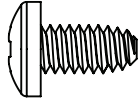
16

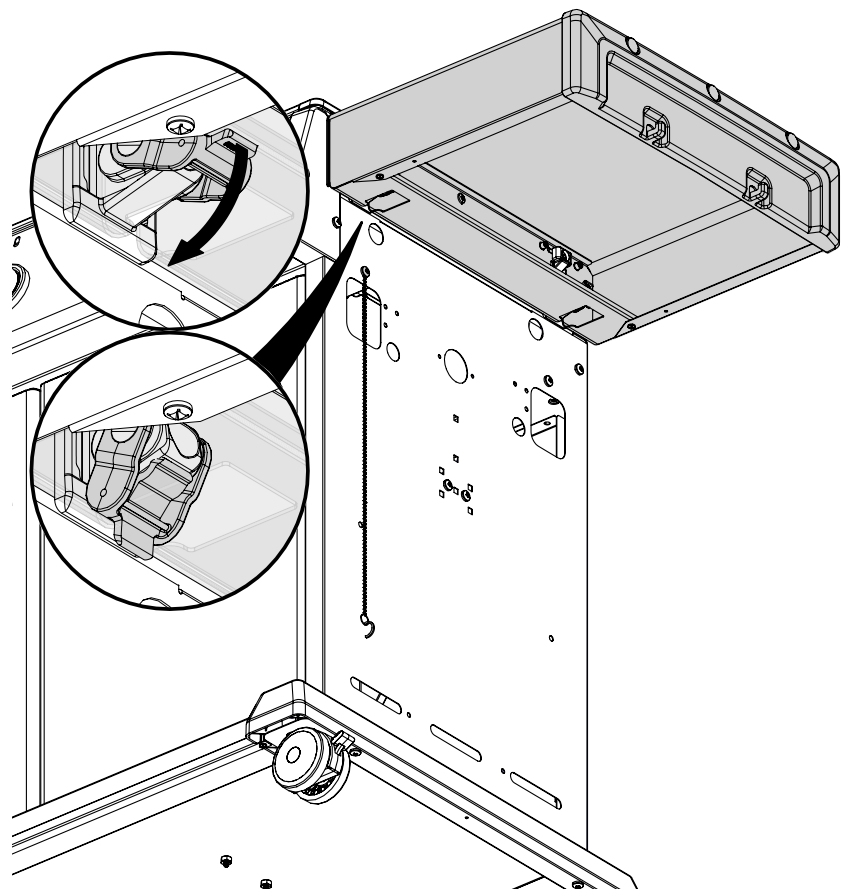
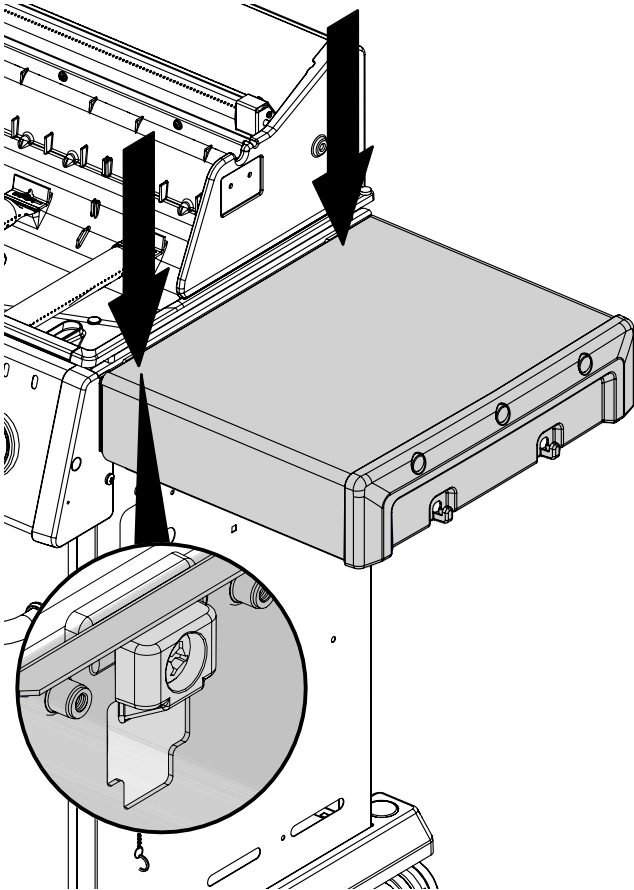
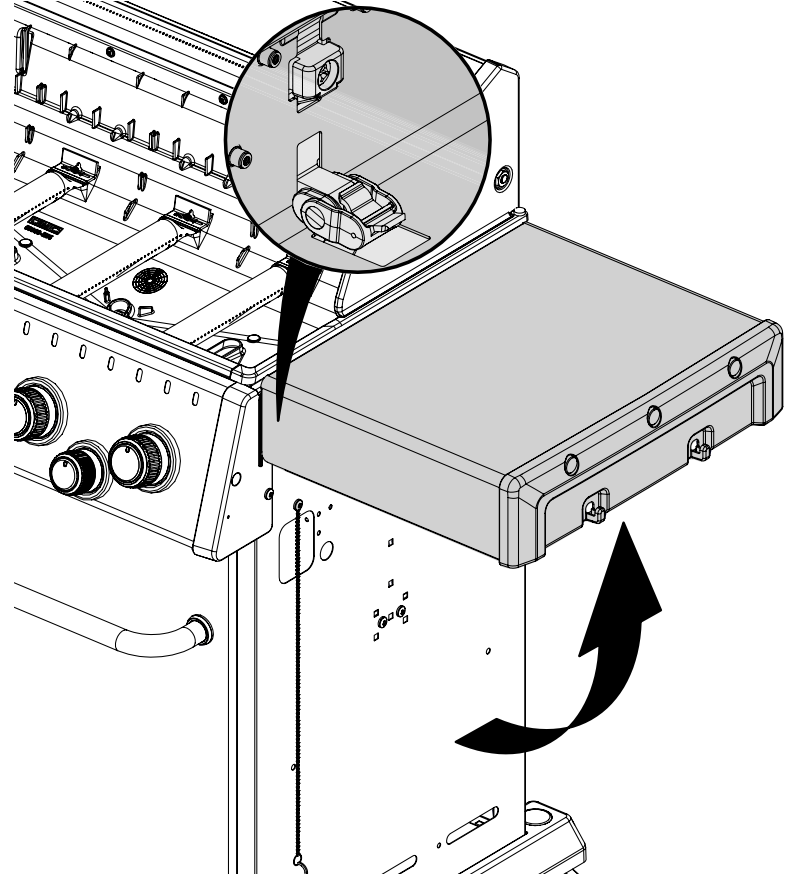
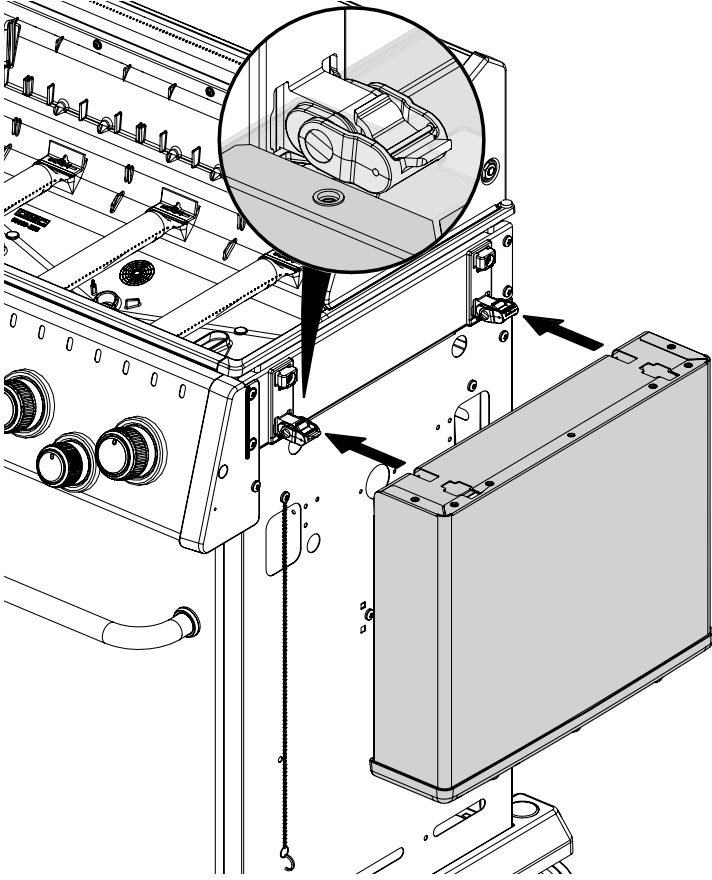
(4)



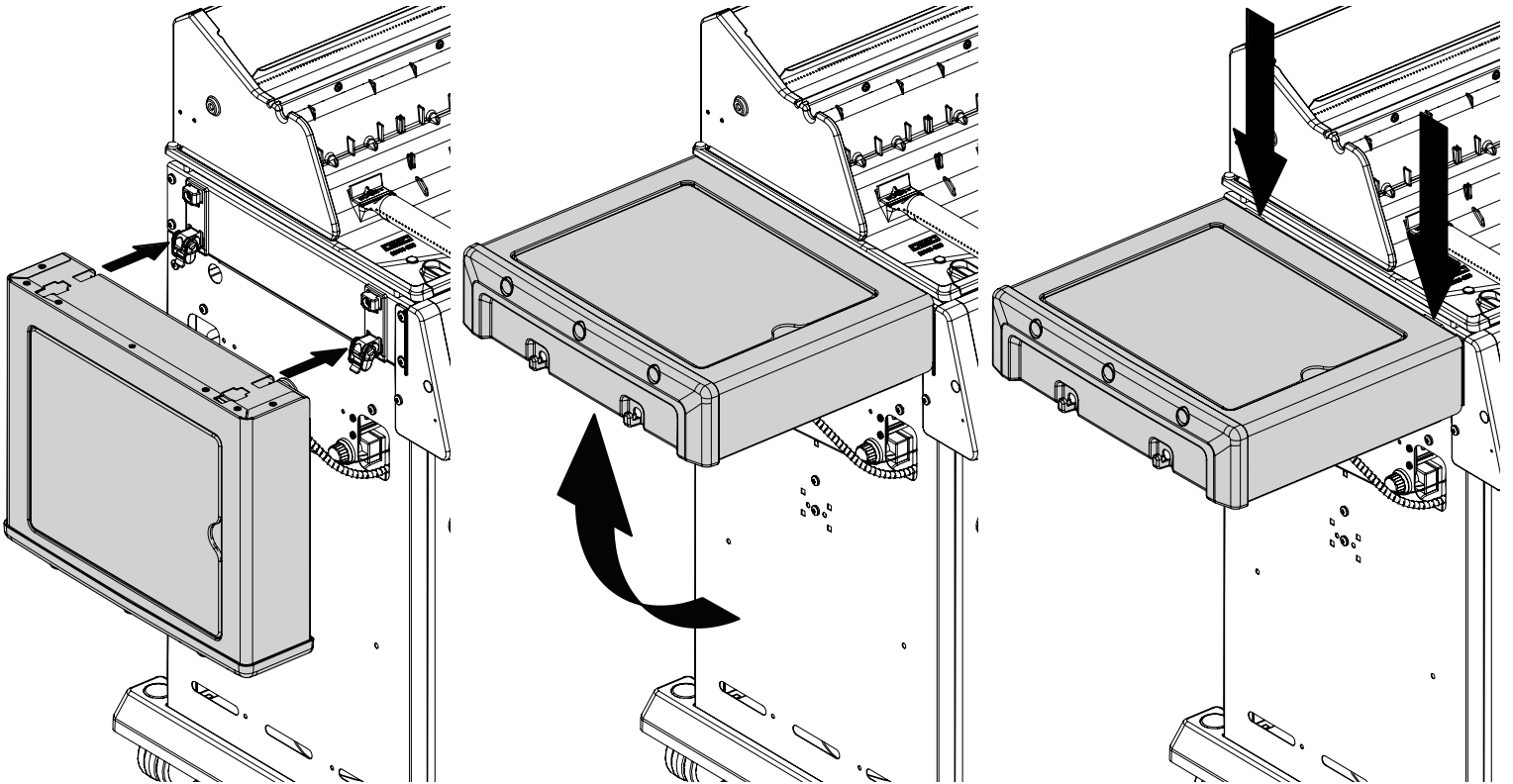
17

(6)

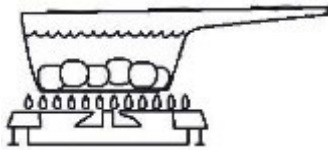




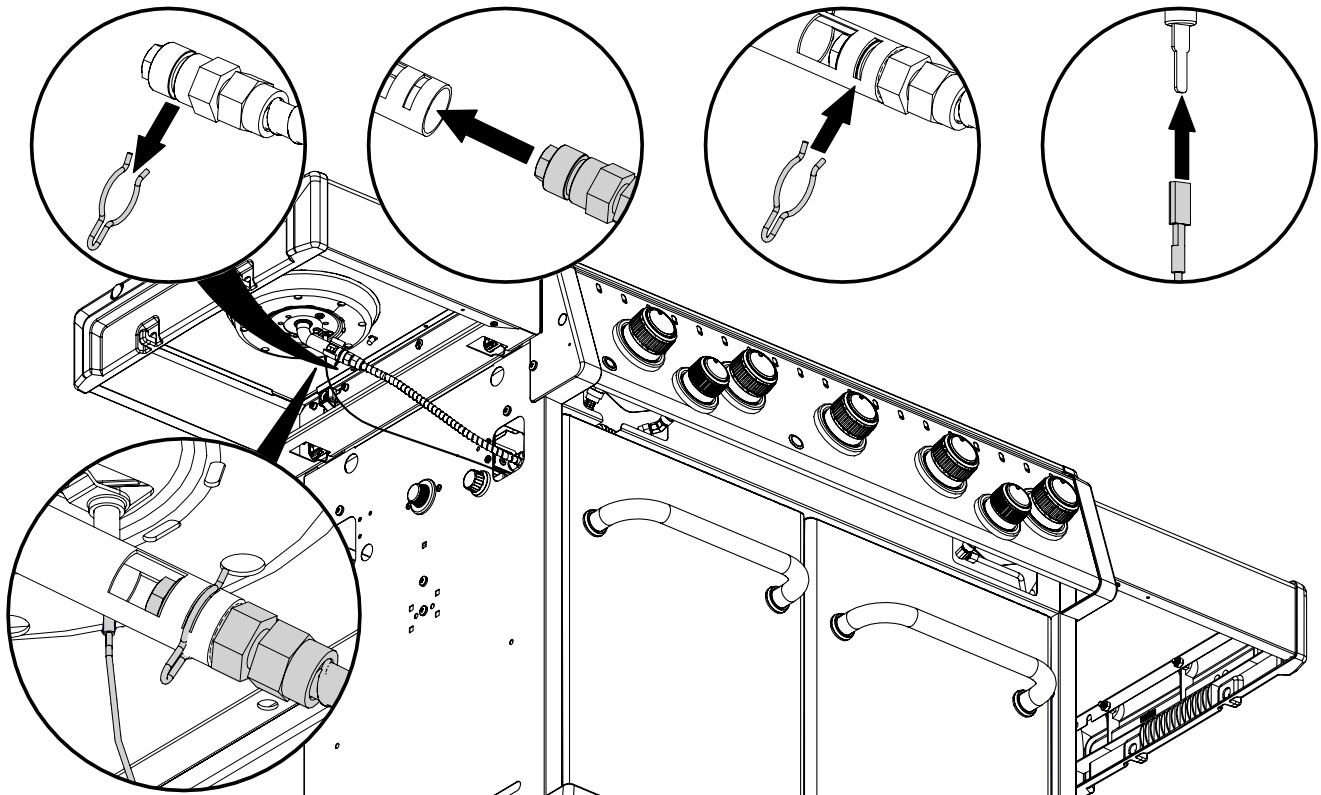
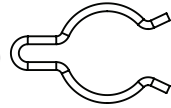
19



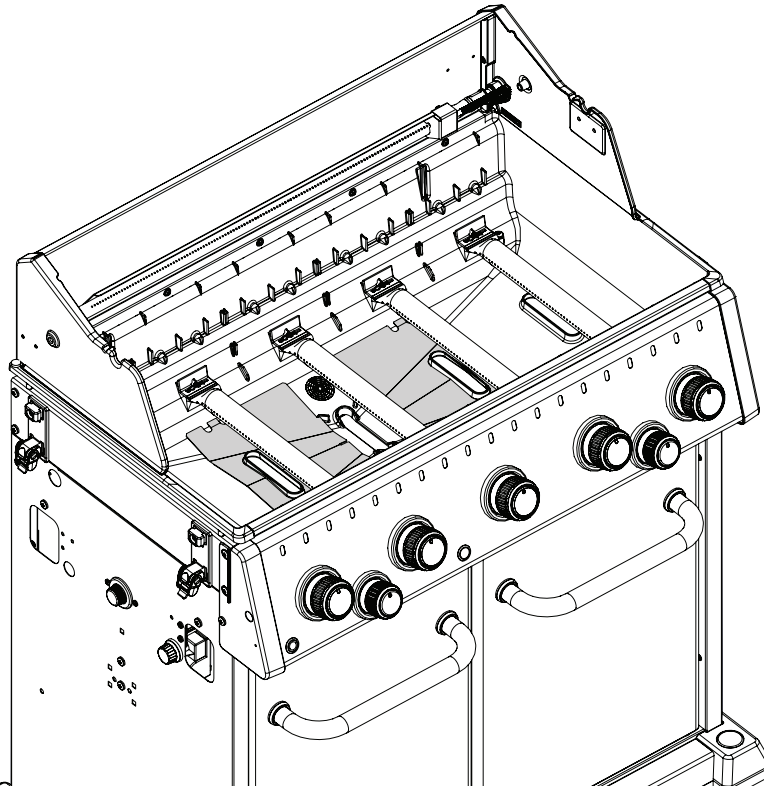
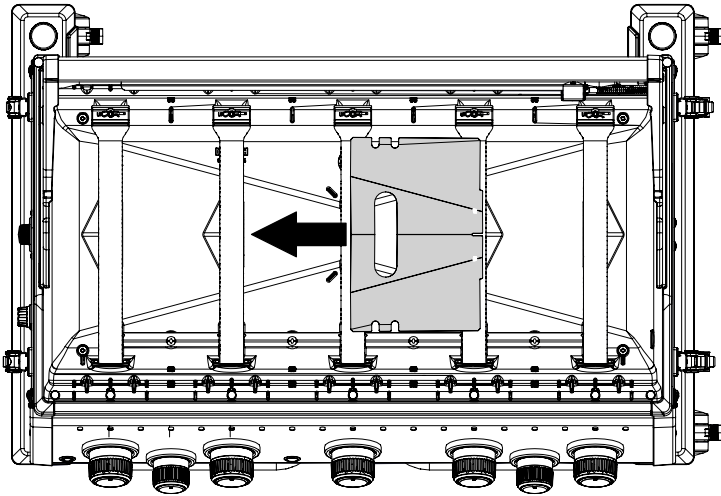
20



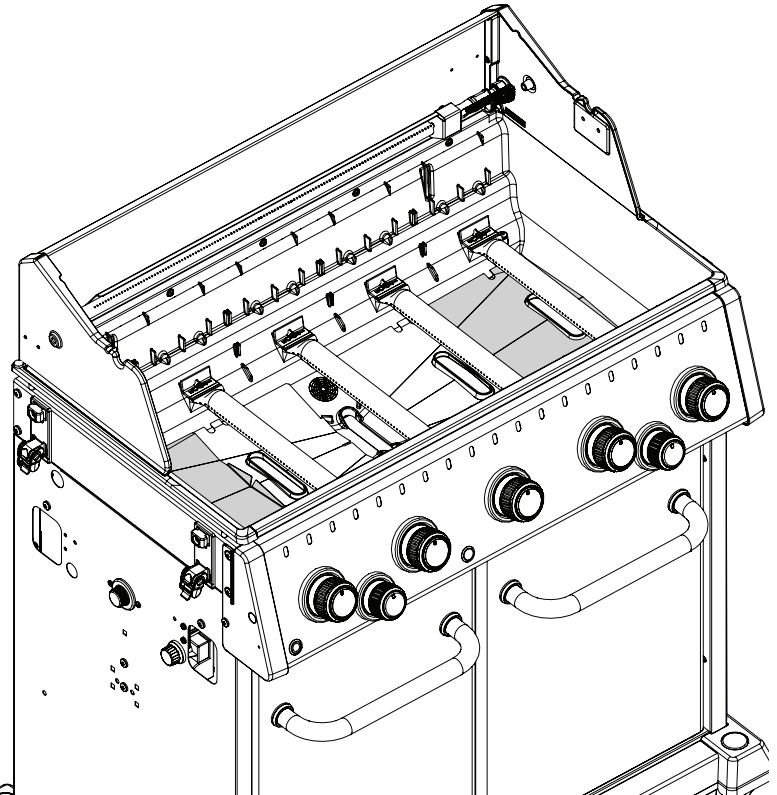
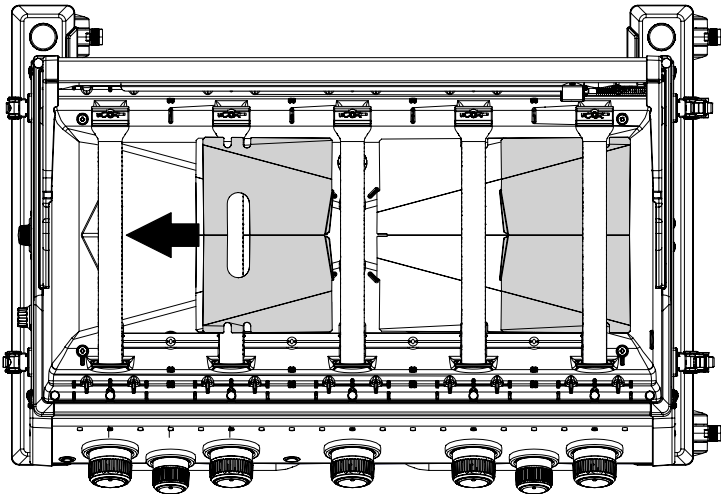
(1)



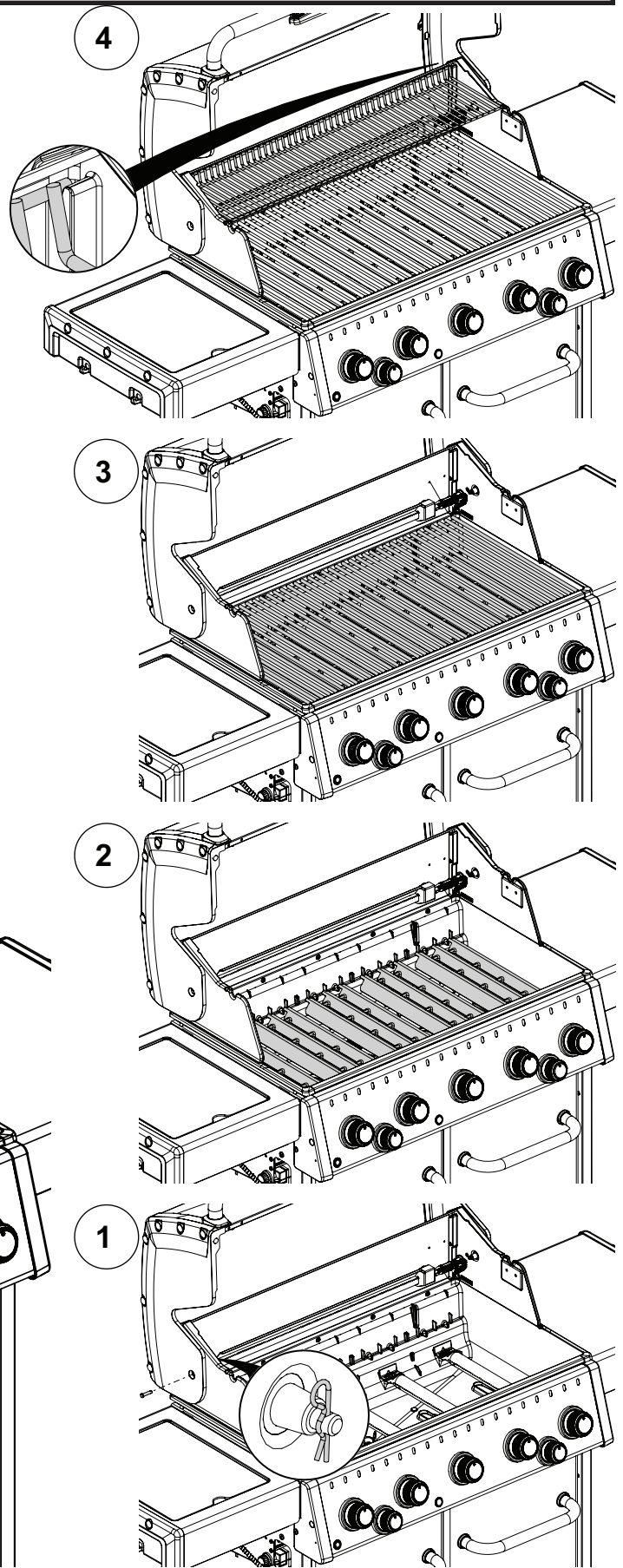
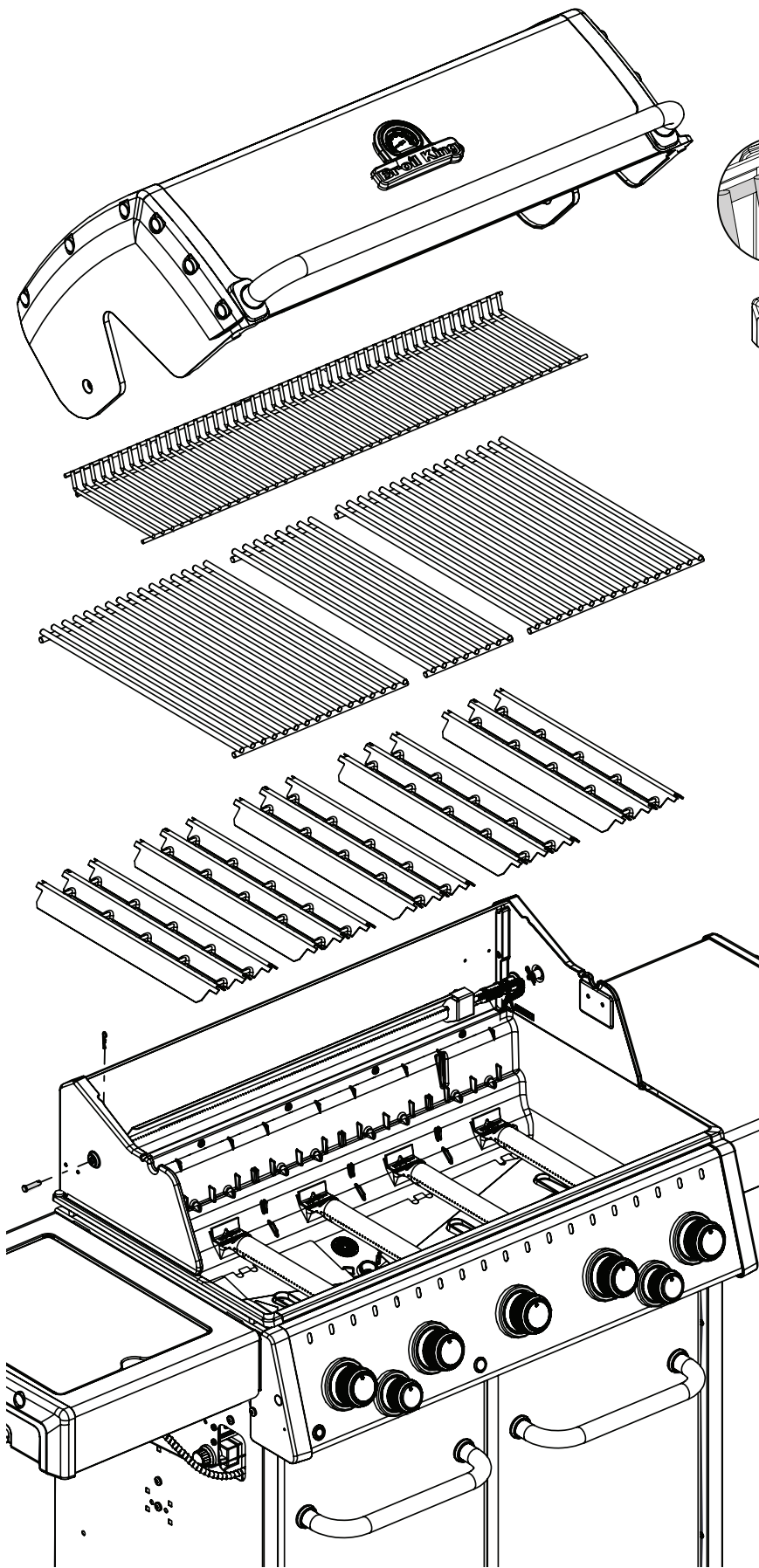
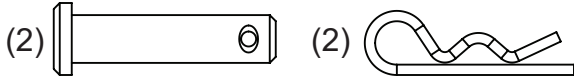
21

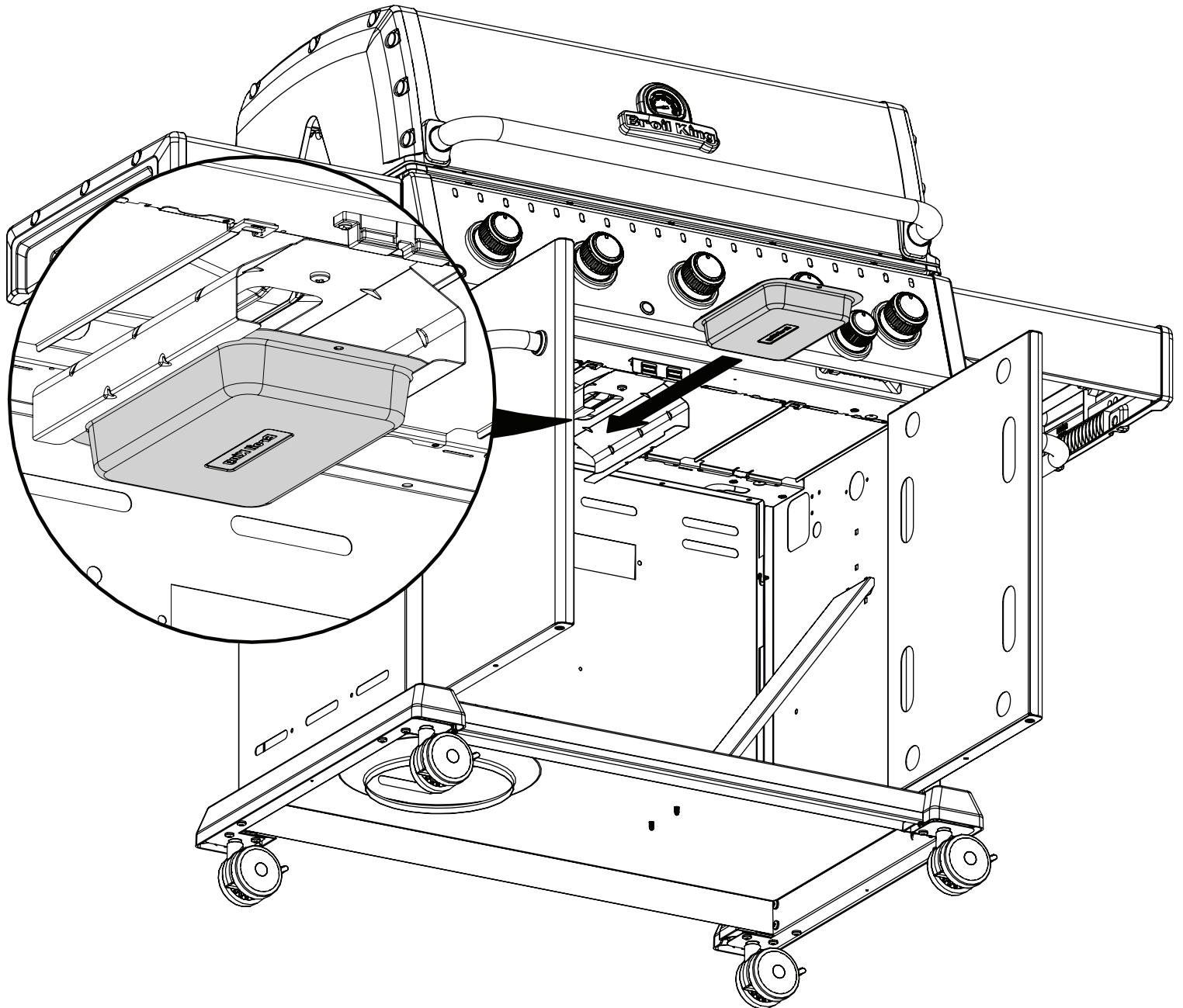
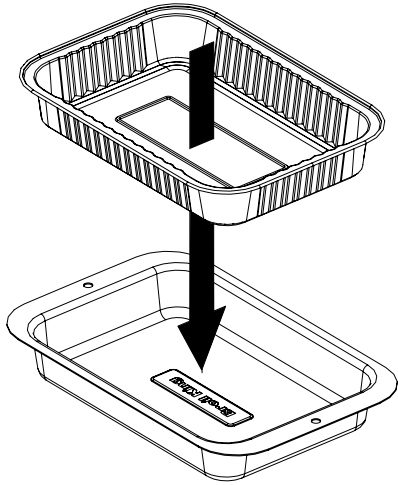


22

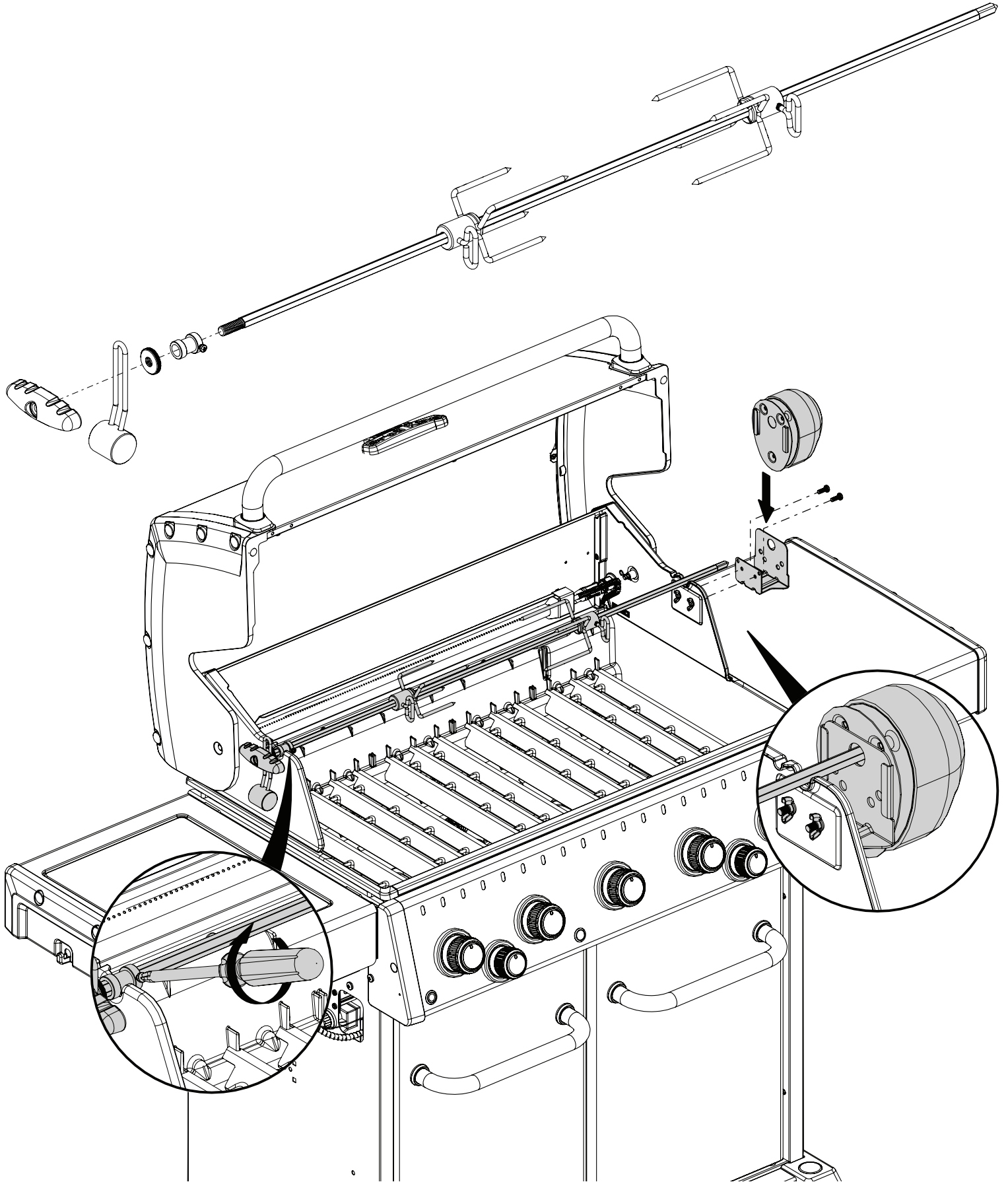
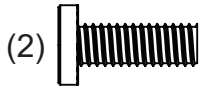


23

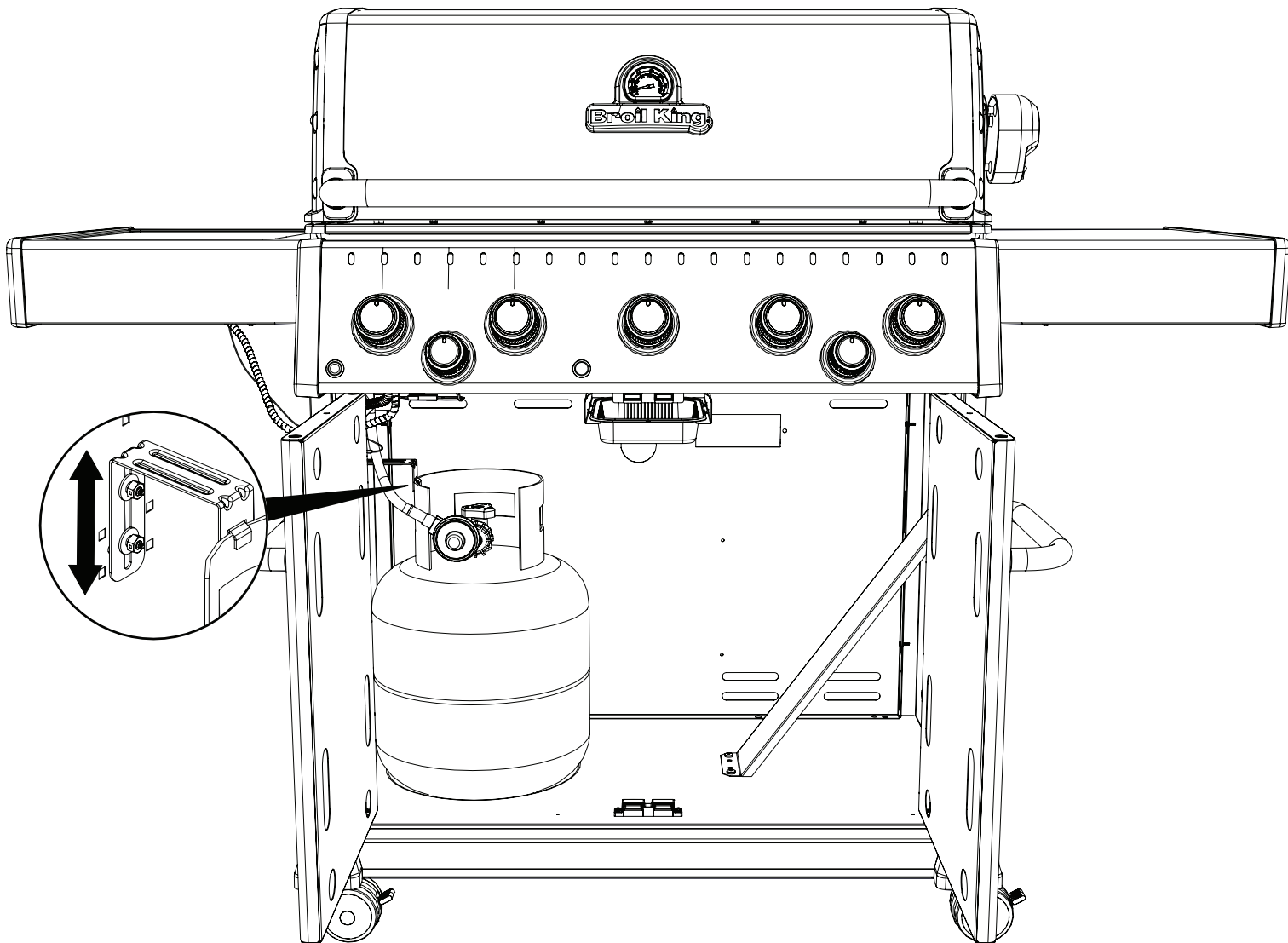
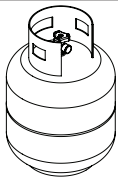




25



26



27

