



AGA CITY24 (Gas Top Burners)

WARNING: If the information in this manual is not followed exactly, a fire or explosion may result causing property damage, personal injury or death.

Do not store or use gasoline or other flammable vapors and liquids in the vicinity of this or any other appliance.

WHAT DO YOU DO IF YOU SMELL GAS

- . Do not try to light any appliance.
- . Do not touch any electrical switch
- . Do not use any phone in your building.
- . Immediately call your gas supplier from a neighbors phone.
Follow the gas suppliers instructions
- . If you cannot reach your gas supplier call the fire department.

Installation and service must be performed by a qualified installer, service agency or the gas supplier.

Installation Guide

REMEMBER: when replacing a part on this appliance, use only spare parts that you can be assured conform to the safety and performance specification that we require. Do not use reconditioned or copy parts that have not been clearly authorised by AGA.

IMPORTANT : SAVE INSTRUCTIONS FOR FUTURE REFERENCE

IMPORTANT : CONSERVER CES INSTRUCTIONS POUR REFERENCE FUTURE

For use in USA/Canada

11/15 EINS 517216

CONTENTS

SECTION	PAGE
Product Safety	3
General Notes	4
Health and Safety	4
General Installation Requirements	4
Installation	5
Technical Data	6
Removal From Pallet and Cooker Installation	7 - 8
Range Dimensions - AGA City24 (Gas Top Burners)	9
Clearances	10 - 11
Location	12
Connection to Power Supply	13
Mains Cable Routing	14
Connecting to Gas	15
Cooker Stability	16 - 17
Pressure Testing	17
Assembly of Burners	18
To Adjust Pan Support Level	19
Control Knob and Handrail Connection	20
Wiring Diagram	21
AGA City24 (Gas Hob) Checklist	22

PRODUCT SAFETY

MEANING/DESCRIPTION	SYMBOL	SIGNIFICATION/DESCRIPTION
<p>WARNING/CAUTION</p> <p>An appropriate safety instruction should be followed or caution to a potential hazard exists.</p>		<p>AVERTISSEMENT</p> <p>Une consigne de sécurité appropriée doivent être suivies ou garde d'un danger potentiel exists.</p>
<p>DANGEROUS VOLTAGE</p> <p>To indicate hazards arising from dangerous voltages.</p>		<p>TENSION DANGEREUSE</p> <p>Pour indiquer les dangers résultant des tensions dangereuses.</p>
<p>PROTECTIVE EARTH (GROUND)</p> <p>To identify any terminal which is intended for connection to an external conductor for protection against electric shock in case of a fault, or the terminal of protective earth (ground) electrode.</p>		<p>TERRE DE PROTECTION</p> <p>Pour marquer bornes destinées à être raccordées à un conducteur de protection extérieur contre les chocs électiques en cas de défaut d'isolement, ou pour marquer la borne de la terre de protection.</p>
<p>HEAVY</p> <p>This product is heavy and reference should be made to the safety instructions for provisions of lifting and moving.</p>		<p>LOURD</p> <p>Ce produit est lourd et doit être fait référence aux consignes de sécurité relatives aux dispositions de soulever et déplacer.</p>
<p>DISCONNECT MAINS SUPPLY</p> <p>Disconnect incoming supply before inspection or maintenance.</p>		<p>APPAREIL À LASER DE CLASSE 2</p> <p>Alimentation d'entrée Débrancher avant inspection ou d'entretien.</p>
<p>REFER TO MANUAL</p> <p>Refer to relevant instructions detailed within the product manual.</p>		<p>ATTENTION, SURFACE TRÉS CHAUDE</p> <p>Reportez-vous aux instructions applicables, indiquées dans le manuel du produit.</p>

GENERAL NOTES

NOTE: THESE INSTALLATION INSTRUCTIONS SHOULD BE LEFT WITH THE RANGE AND THE USER TO RETAIN FOR FUTURE REFERENCE.

HEALTH AND SAFETY

Consumer Protection

As responsible manufacturers we take care to make sure that our products are designed and constructed to meet the required safety standards when properly installed and used.

PLEASE READ THE ACCOMPANYING WARRANTY

Any alteration that is not approved by AGA could invalidate the approval of the appliance, operation of the warranty and could also affect your statutory rights.

GENERAL INSTALLATION REQUIREMENTS

The installation of the range must be in accordance with the relevant requirements of the local Wiring and Building Regulations. It should be in accordance also with any relevant requirements of the Local Authority.

In your own interest and that of safety to comply with the law, all appliances should be installed by an authorized AGA distributor in accordance with the relevant regulations.



CAUTION:
**THIS UNIT IS HEAVY, PROPER EQUIPMENT AND ADEQUATE
MANPOWER MUST BE USED IN MOVING THE RANGE TO
AVOID DAMAGE TO THE UNIT OR THE FLOOR**

INSTALLATION

CAUTION: THIS INSTALLATION MUST CONFORM WITH LOCAL CODES OR, IN THE ABSENCE OF LOCAL CODES, WITH THE NATIONAL FUEL GAS CODE; ANSI Z223.1 / NFPA 54 OR, IN CANADA, THE NATURAL GAS AND PROPANE INSTALLATION CODE CSA B149.1 AND NATIONAL ELECTRICAL CODE ANSI/NFPA 70 (IN CANADA CAN/CGA-B149) AND ONLY USED IN A WELL VENTILATED SPACE.

READ THESE INSTRUCTIONS BEFORE INSTALLING OR USING THIS APPLIANCE.

PRIOR TO INSTALLATION, ENSURE THAT THE LOCAL DISTRIBUTION CONDITIONS (NATURE OF GAS AND GAS PRESSURE) AND THE ADJUSTMENTS OF THE APPLIANCE ARE COMPATIBLE.

THE GAS ADJUSTMENT CONDITIONS FOR THIS APPLIANCE ARE STATED ON THE DATA PLATE WHICH IS SITUATED ON A PULL-OUT PLATE BEHIND THE PLINTH COVER.

This appliance shall be installed and connected in accordance with current installation regulations. Particular attention shall be given to the relevant requirements regarding ventilation.

It should be in accordance also with any relevant requirements of the Gas Region and Local Authority.

The appliance and its individual gas shut off valve must be disconnected from the gas supply piping system during any pressure testing of that system test pressure in excess of 1/2 psi (3.5 kPa).

The appliance must be isolated from the gas supply piping system by closing its individual manual shut off valve during any pressure testing of the gas supply system at test pressures equal to or less than 1/2 psi (3.5 kPa).

On completion test the gas installation for soundness and purge. Leak testing of the appliance shall be conducted according to the manufacturers instructions.

NOTE: Use soapy water solution on new gas connections to ensure there are no gas leaks.

WARNING - ELECTRIC SHOCK HAZARD

It is the customers responsibility to contact a qualified electrical installer. The appliance must be installed according to regional codes, or in the absence of regional codes the National Electrical Code.

If an external electrical source is utilized, the appliance must be electrically grounded in accordance with the National Electrical Code, NFPA 70 or the Canadian Electrical Code, CSA C22.1-02.

Take special care when cutting holes in walls or floor. Electrical wires may be behind the wall or floor covering and could cause an electrical shock if you touch them.

Locate any electrical circuits that could be affected by the installation of this product and disconnect power circuit.

Electrical ground is required on this appliance.

Do not have a fuse in the neutral or grounding circuit. A fuse in the neutral or grounding circuit could result in electrical shock.

Do not use an extension lead with this appliance.

Check with a qualified electrician if you are not sure the appliance is properly grounded.

Failure to follow these instructions could result in death or serious injury.

TECHNICAL DATA

GAS TOP BURNERS

This appliance is supplied set for Natural Gas (NG) at a pressure of 4" WC. It must be converted to run on LP Gas (Propane) at a pressure of 10" WC.

NATURAL GAS

	L.H.F.	R.H.R.	L.H.R.	R.H.F.
BURNER TYPE	ULTRA-RAPID (WOK)	RAPID	SEMI-RAPID	SEMI-RAPID
MAXIMUM HEAT INPUT	3.5 kW 12,000 Btu/hr	3.1 kW 10,600 Btu/hr	1.8 kW 6,150 Btu/hr	1.8 kW 6,150 Btu/hr
INJECTOR MARKING	170	155	118	118

PRESSURE POINT POSITION: JUST BELOW HOTPLATE LEVEL ON REAR RIGHT HAND SIDE OF RANGE

PRESSURE SETTING: 4" w.g.

BURNER IGNITION: H.T. SPARK

PROPANE

	L.H.F.	R.H.R.	L.H.R.	R.H.F.
BURNER TYPE	ULTRA-RAPID (WOK)	RAPID	SEMI-RAPID	SEMI-RAPID
MAXIMUM HEAT INPUT	3.5 kW 12,000 Btu/hr (250g/h) (0.5l/h)	3.1 kW 10,600 Btu/hr (221g/h) (0.43l/h)	1.8 kW 6,150 Btu/hr (128g/h) (0.26l/h)	1.8 kW 6,150 Btu/hr (128g/h) (0.26l/h)
INJECTOR MARKING	105	94	72	72

PRESSURE POINT POSITION: JUST BELOW HOTPLATE LEVEL ON REAR RIGHT HAND SIDE OF RANGE

PRESSURE SETTING: 10" w.g.

BURNER IGNITION: H.T. SPARK

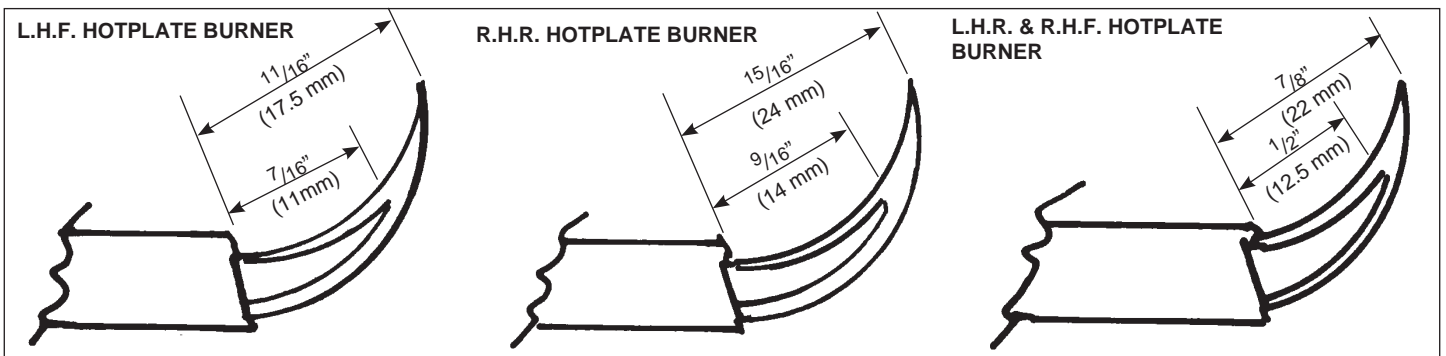
ELECTRIC OVENS 240 VOLT 60 Hz SINGLE PHASE 30 AMP

TOP OVEN POWER RATING - 3.0 kW

LOWER OVEN POWER RATING - 0.9 kW

The data plate is located on a pull out plate, behind the plinth cover.

TYPICAL SECTION VIEW OF BURNER FLAMES:



REMOVAL FROM PALLET AND COOKER INSTALLATION

Removing of transit brackets - Unscrew 4 screws and remove brackets, from front and two screws from rear.

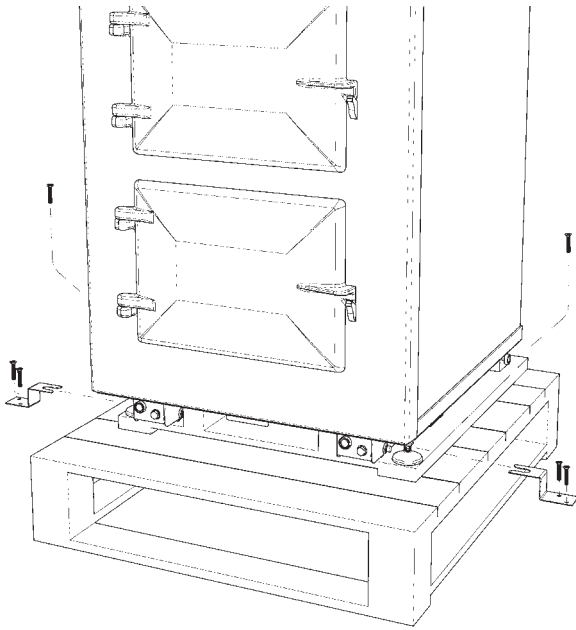
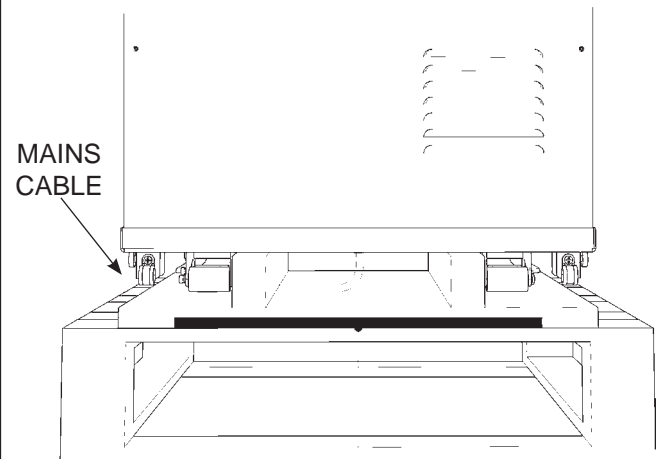


Fig. 1

DESN 517176

NOTE: Care must be taken not to trap mains cable.



Appliance to be removed from rear of pallet only.
Recess provided for suitable sack truck.
Appliance to be secured to sack truck with suitable straps (shaded area)



Fig. 2

DESN 516891

Once appliance is in position in kitchen, remove sack truck and straps. The front stability feet can be raised with a spanner to allow appliance to be slid from transit pallet.

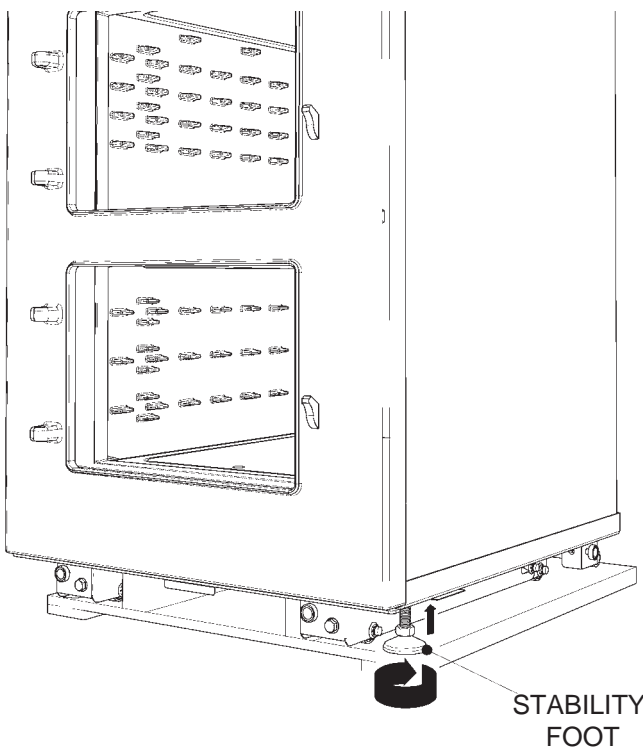


Fig. 3

DESN 517177

Slide cooker off transit pallet. Take care not to trap mains cable.

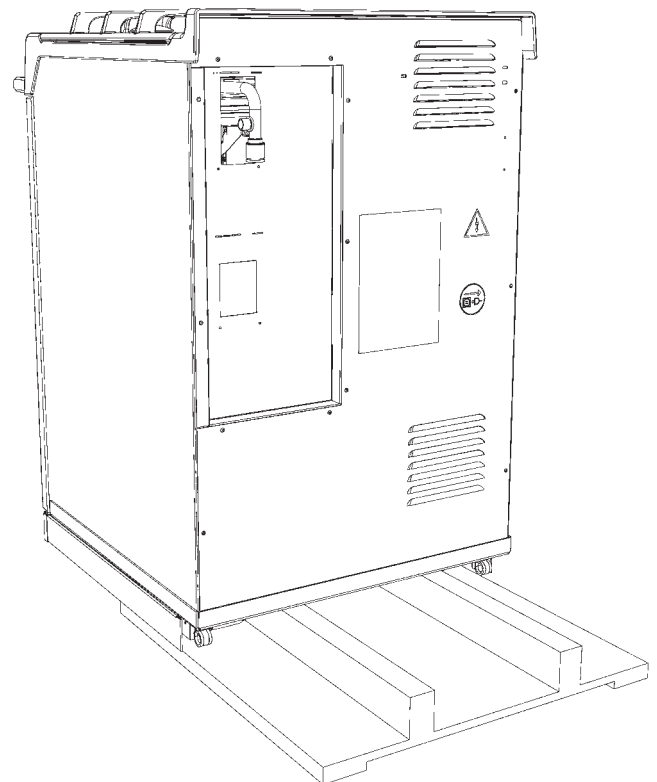


Fig. 4

DESN 517178

REMOVAL FROM PALLET AND COOKER INSTALLATION

Appliance can now be pushed back on its wheels into desired position.

NOTE: Care must be taken not to trap mains cable.

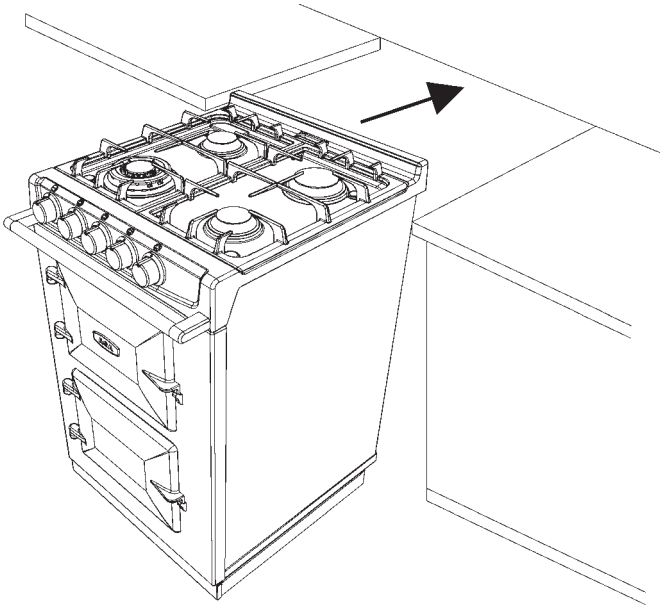
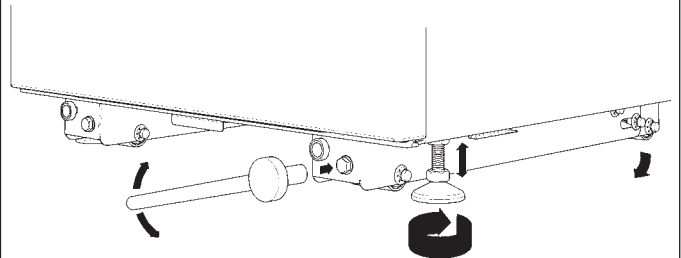


Fig. 5

DESN 517179

Levelling of appliance - Use 1/2" (13mm) socket to adjust wheel mechanism for **FINE** adjustment on both sides at rear of the appliance.

Using a 1/2" (13mm) open end spanner, feet can be adjusted at front to make **FINE** adjustments to the front of the appliance and to provide a brake for the wheels.



Turning the bolt clockwise will lower the wheel thus increasing height of the cooker.

Anti-clockwise lifts the wheels and lowers the cooker.

Fig. 6

DESN 516895

Fitting magnetic plinth

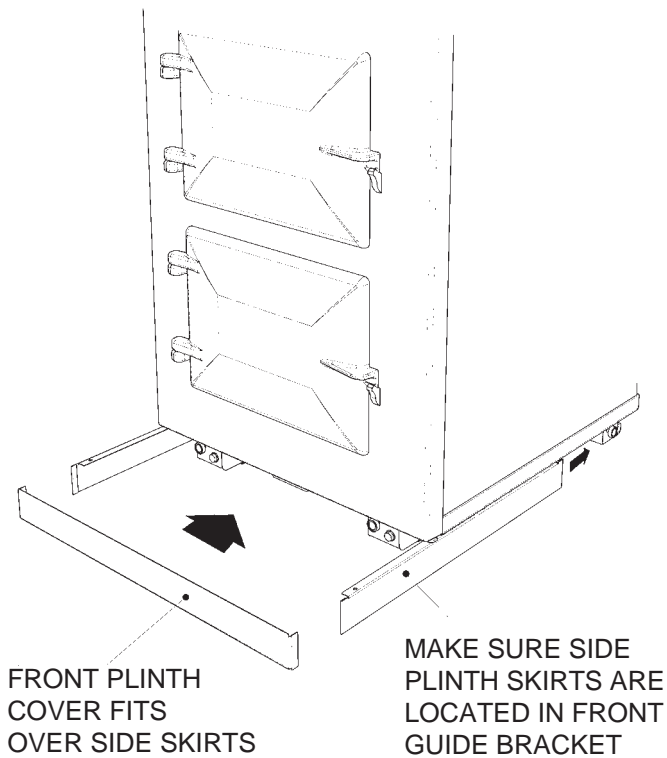


Fig. 7

DESN 516897

RANGE DIMENSIONS - AGA CITY24 (GAS TOP BURNERS)

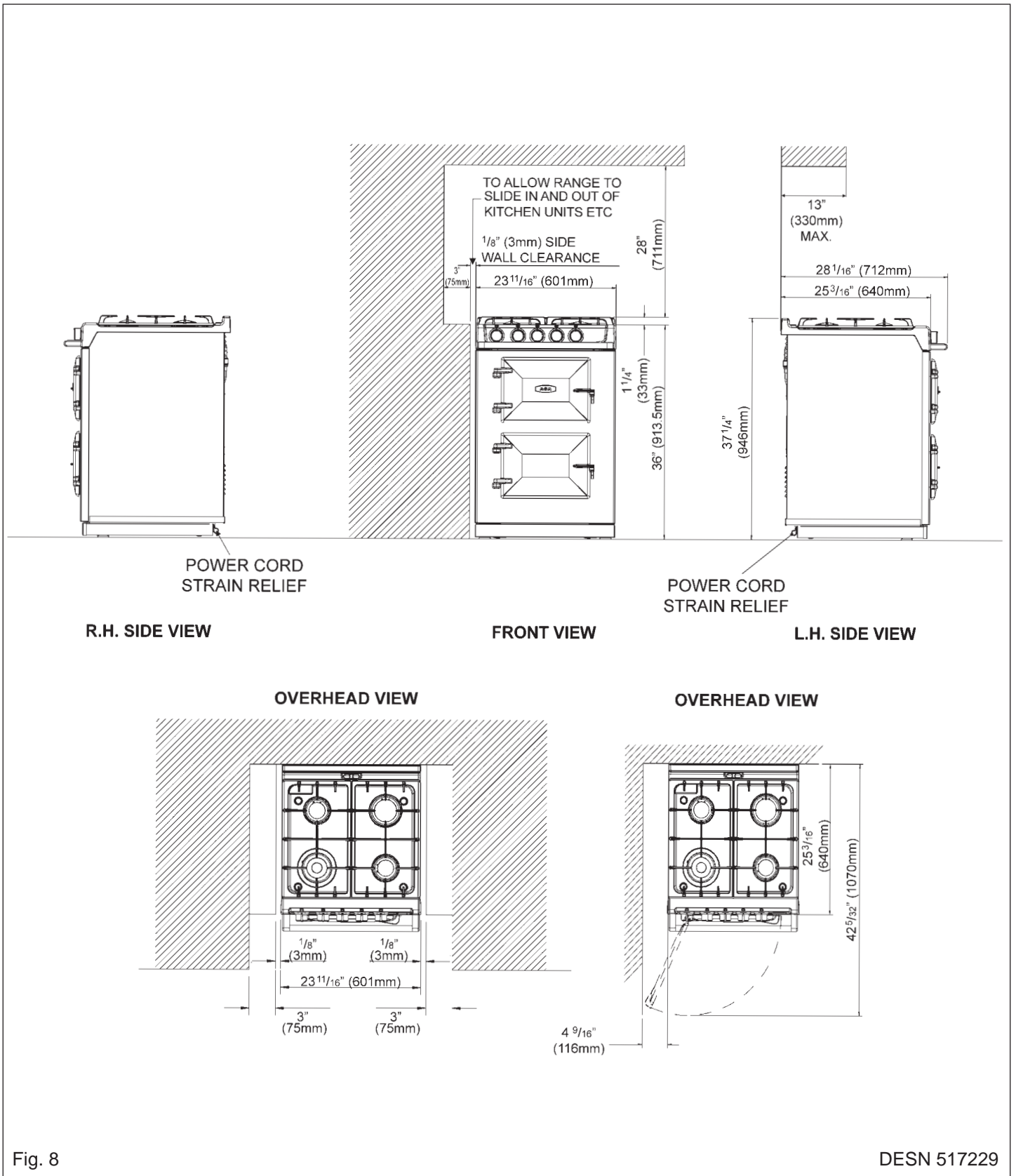


Fig. 8

DESN 517229

APPLIANCE WEIGHT (Excludes Packaging)

Model: AGA CITY24 (Gas Top Burners) - 474 lbs (215kg)

CLEARANCES

Side Clearances

If you are installing a AGA City24 in a new kitchen or have the opportunity to set the width between kitchen or units, it is advisable to include an additional small gap each side of $\frac{1}{8}$ " (3mm) to assist with installation and prevent damage when moving the product.

A $\frac{15}{64}$ " (6mm) additional width clearance should also be provided if the range is to go into a brick recess, to allow for the wall being out of square.

Where it is installed with a side wall protruding in the front of the range, a $4\frac{9}{16}$ " (116mm) clearance is required on the left hand side for oven door access.

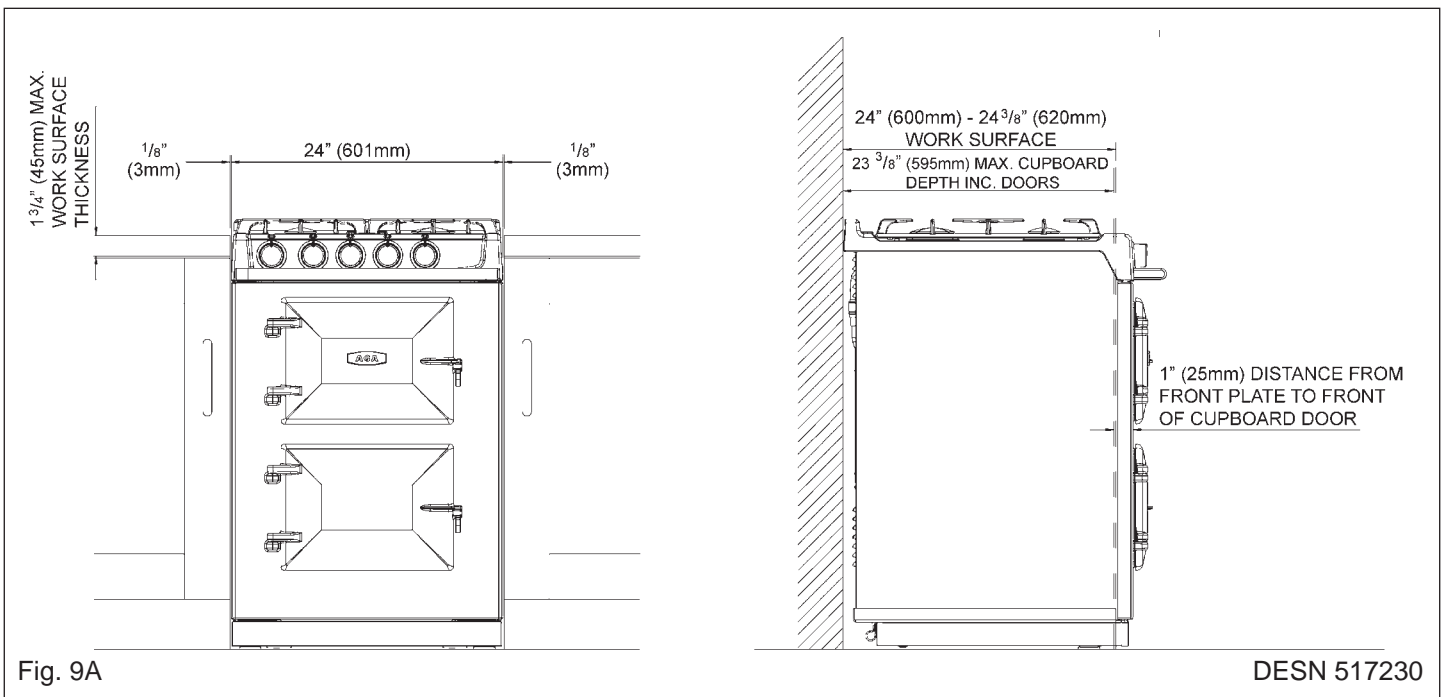
Any side wall above the cooker on either side shall not be less than 3" (75mm) horizontally from the cooker (Fig. 8).

Combustible surfaces over the top of the range must not be closer than 28" (711mm) and must not exceed 13" (330mm) in depth.

The vent slot in the back of the top plate must not be obstructed.

Fitting into a 24" (60cm) gap

If you are restricted to a 24" (60cm) with space, the AGA City24 will fit, subject to the following guide. Please refer to Fig. 9A.



The range top plate casting width tapers outwards at its bottom edge. Consequently adjacent cupboard units should have a maximum depth of 23 $\frac{3}{8}$ " (595mm) (including doors). If they are deeper bring the range forward. This will create 1" (25mm) distance from the range front plate to cupboard doors.

The thickness of adjacent worktops should not exceed 1 $\frac{3}{4}$ " (45mm).

Range Base or Hearth

It is essential that the base or hearth on which the range stands should be level and be capable of supporting the total weight of the appliance.

The front plinth cover is removable and must not be obstructed by flooring or tiles. If necessary the range must be raised by the thickness of the tiles to ensure the plinth can be removed, and the range can be rolled out for service.

Tiling

When the range is to stand in a recess or against a wall which is to be tiled, in no circumstances should the tiles overlap the range top plate, access to remove the top plate must be allowed for servicing at a later date.

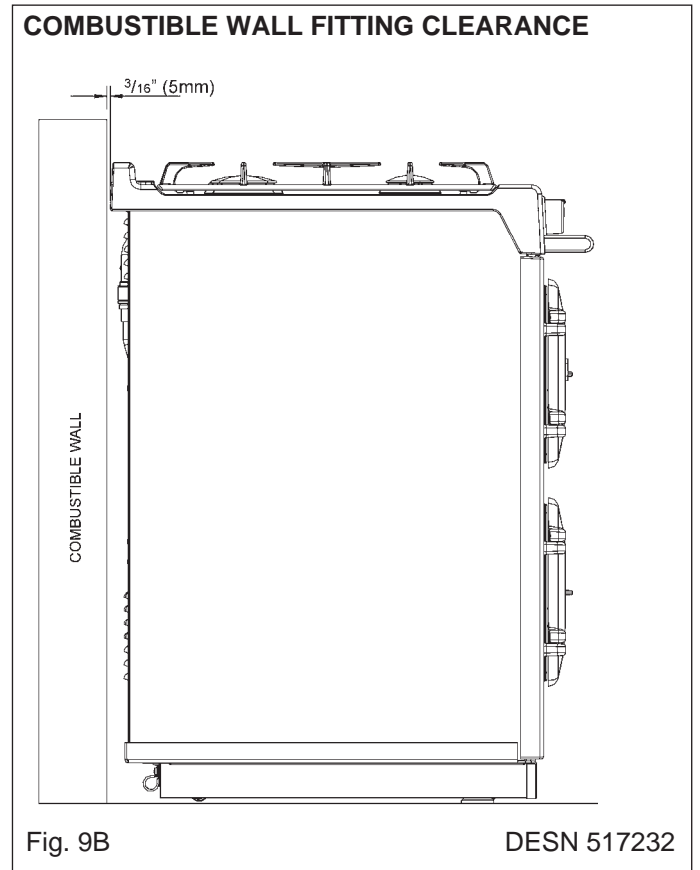
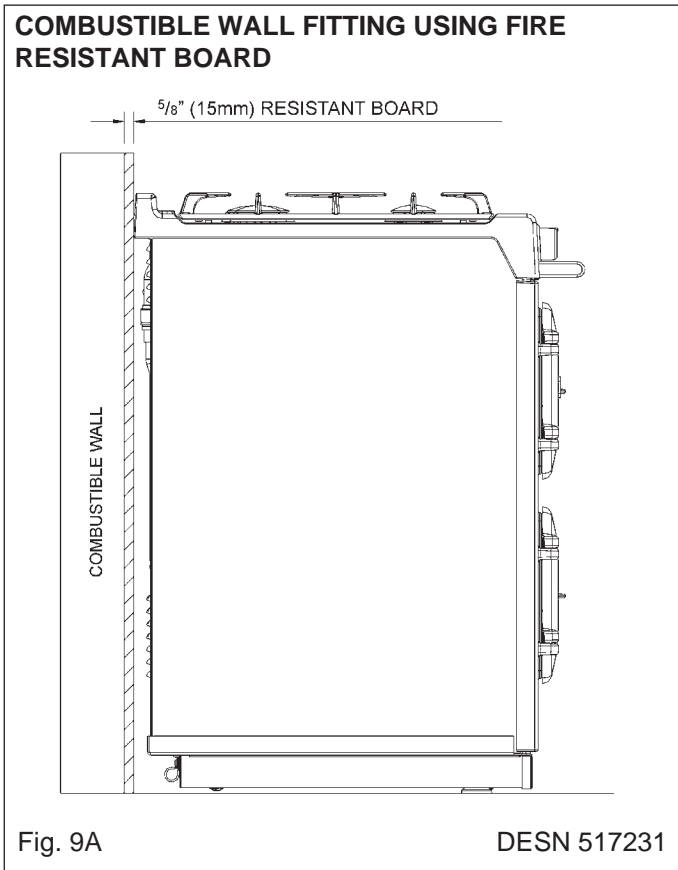
Combustible Rear Walls

Since this range can be used continuously, please take note of the **IMPORTANT INSTRUCTIONS**.

Where the rear wall is constructed of combustible materials (such as all-timber or stud wall partitions and batoned plasterboard) these will require special wall heat protection measures.

Non-combustible insulation board as a protective cladding can be used behind the range of at least $\frac{5}{8}$ " (15mm) thick, such as Monolux or equivalent. This should be taken up to hotplate level. See Fig. 9A.

The $\frac{3}{16}$ " (5mm) air gap must be left open and **NOT** blocked off across the top edge. See Fig. 9B.



SPECIAL NOTE: Ensure that unprotected electric cabling or plastic services do not pass within or on the outside of the wall behind or directly above the cooker. This type of material can age prematurely when exposed to continuous higher temperature.

Other Clearances

A minimum clearance of $39 \frac{5}{8}$ " (1000mm) must be available at the front of the range to enable it to be serviced.

LOCATION

Combustible side wall clearance above the gas top plate shall be greater than 3" (76mm).

Surfaces over the top of the range must not be closer than 28" (711mm) and must not exceed 13" (330mm) in depth.

The vent slot in the back of the top plate must not be obstructed.

Note: It is essential that the supply cable is routed away from any hot surfaces i.e. flue pipes.

In the interests of safety, due consideration must be given to the protection of the electric cable to the unit.

Remember that an excess of cable length is required for the possible withdrawal of the range.

A electrical socket type 14-50R must be provided within 3 ft 11" (1.2 metres) of the range and be accessible for disconnection.

THE INSTALLATION MUST CONFORM WITH THE NATIONAL ELECTRIC CODE.

Disconnect the electrical supply before servicing the appliance. Electrical hook-up must be done by a licensed electrician.

An easily accessible manual shut off gas valve must be fitted before the metal flexi gas line supply to the range. **DO NOT** fit valve behind the range.

Any opening in the wall behind the appliance and in the floor under the appliance must be sealed.

If the range must be installed beside a refrigerator, it is important for proper air circulation that there must be at least 5" (175mm) of space between the two appliances.

CONNECTION TO THE POWER SUPPLY



Electric Shock Hazard

Rating Plate is located behind removable plinth, see Fig. 11.

Electrical Grounding is required on this appliance.

DO NOT connect to the electrical supply until the appliance is permanently grounded.

This appliance must be connected to a grounded metallic permanent supply or a grounding connector should be connected to the grounding terminal or wire lead on the appliance.

Failure to follow these instructions could result in death or serious injury.



This range must be supplied with a 240V, 60Hz power supply and connected to an individual, properly grounded branch circuit protected by a circuit breaker. At 240V, it has a maximum load of 18 amps. Electric hook-up must be done by a licensed electrician. This unit must be installed according to local codes, or in the absence of codes, the National Electrical Code.

- Product installation requires a separate (not shared) 240V/20 amp circuit protected by an appropriate branch circuit supply.
- The power cord on your range is fitted with a standard four (4) conductor type 14-50P plug (matching receptacle 14-50R).

The method of connection to the mains electricity supply must facilitate complete electrical isolation of the appliance.

The mains connection and isolation should not be positioned above the range and must be positioned within the area defined in Fig. 11, Page 14.

A fully recessed range connection box may be located immediately behind the range (in the hatched area only as shown in Fig. 11). A gap of $\frac{3}{16}$ " (5mm) must be allowed at the rear of the range.

THIS RANGE MUST BE COMPLETELY ISOLATED FROM THE ELECTRICITY SUPPLY BEFORE SERVICING. THE RANGE IS DESIGNED FOR THE VOLTAGE STATED ON THE RATING PLATE, WHICH IS SITUATED BEHIND THE PLINTH COVER.

WARNING

Electrical Grounding Instructions

This appliance is equipped with a 4 prong grounding plug for your protection against shock hazard and should be plugged directly into a properly grounded receptacle.

Do not cut or remove the grounding prong from this plug.

MAINS CABLE ROUTING

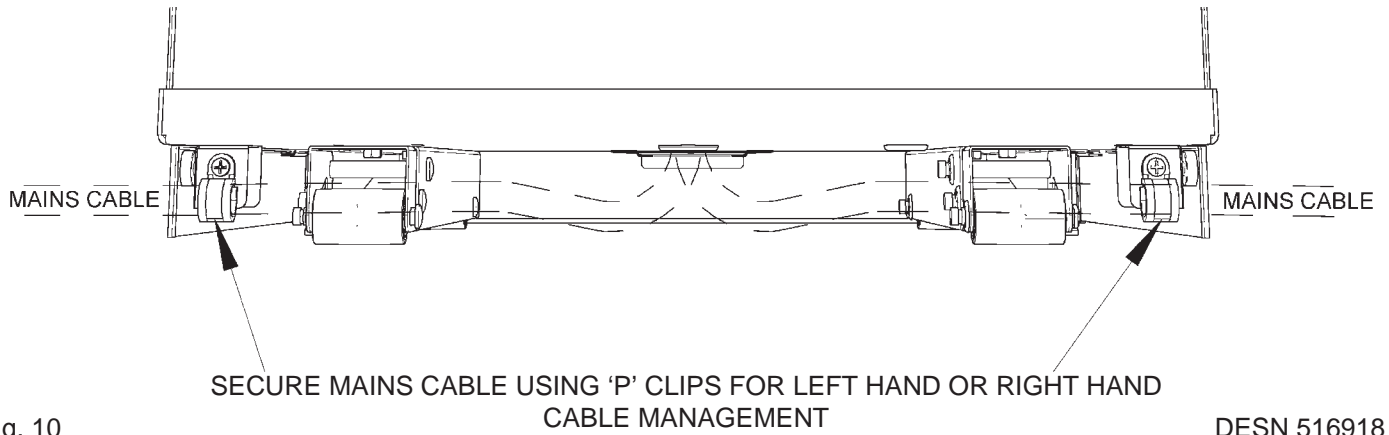
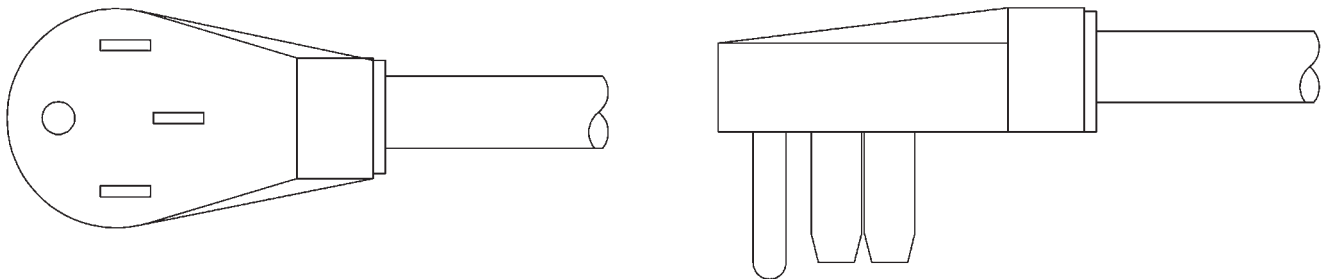


Fig. 10

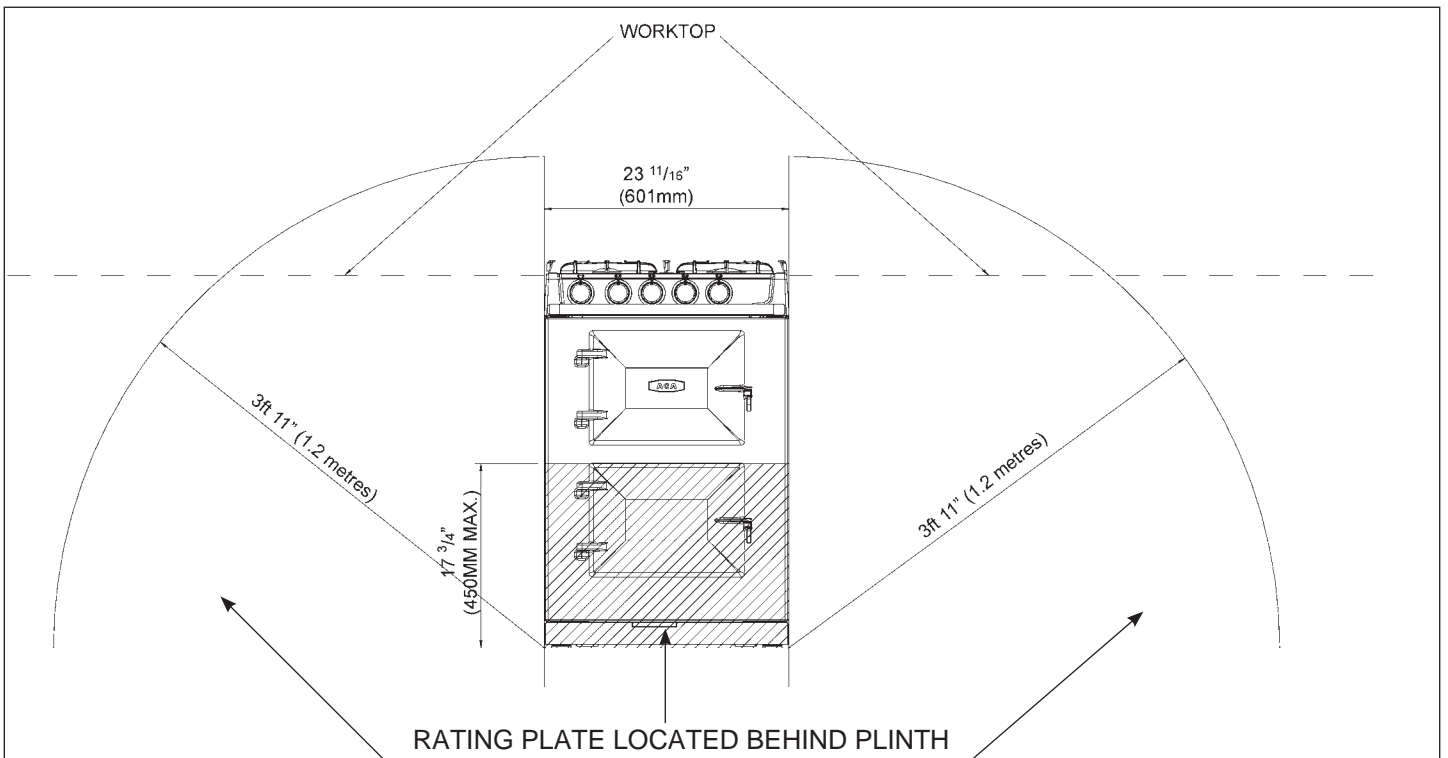
DESN 516918



POWER CORD
50A/250V 12500W RATED FITTED WITH NEMA 14-50P RIGHT ANGLED PLUG
(MATCHING RECEPTACLE 14-50R)
UL OR CSA APPROVED

Fig. 10A

DESN 516919



RATING PLATE LOCATED BEHIND PLINTH
THE MAINS SUPPLY MUST BE WITHIN THE ZONES SHOWN

**IF A RECESSED RANGE CONNECTION IS TO BE USED BEHIND THE RANGE
WITHIN THE HATCHED AREA. ALLOW A 3/16" (5mm) GAP AT REAR OF
RANGE**

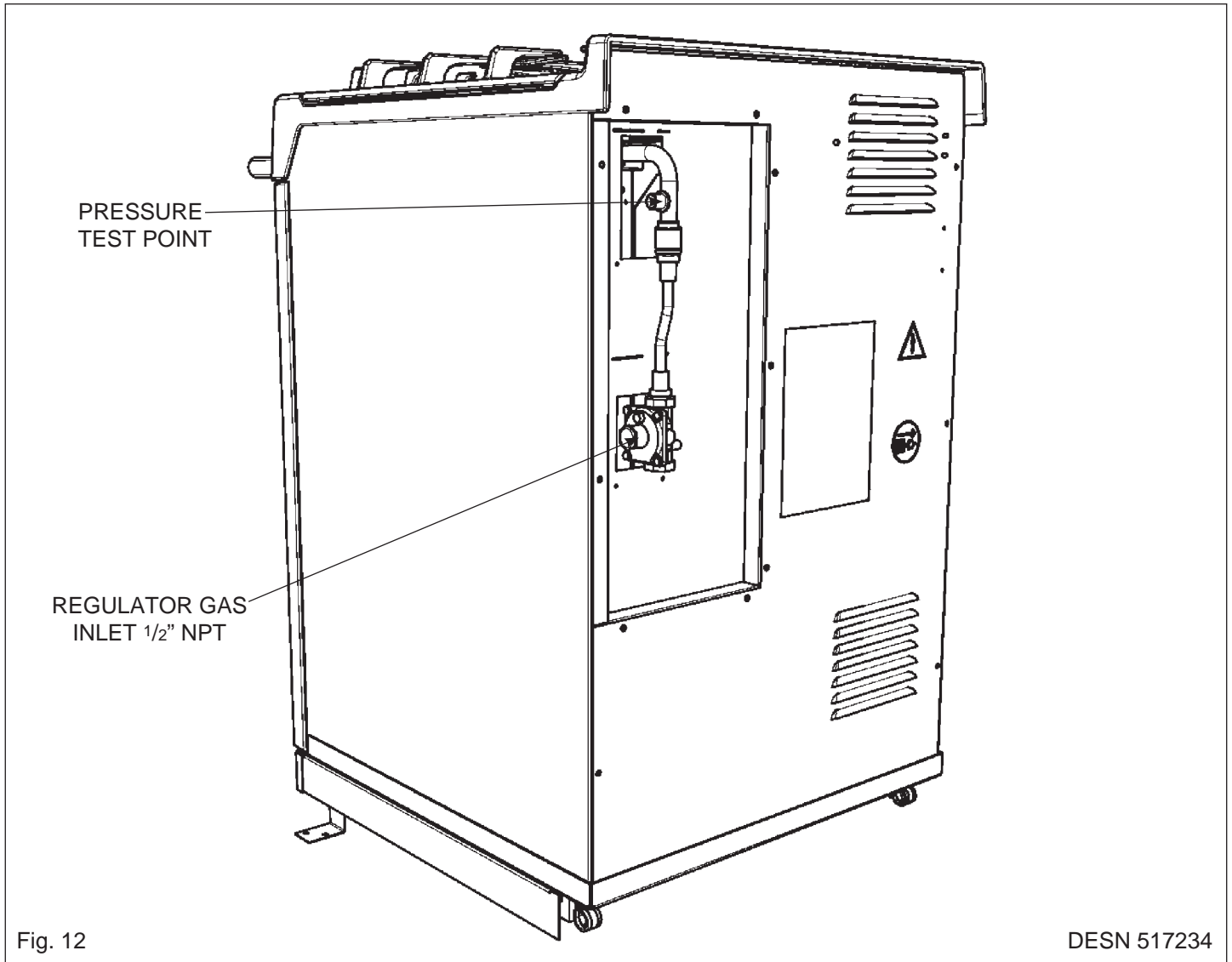
Fig. 11

DESN 517233

CONNECTING TO GAS

CAUTION: ENSURE THAT THE RANGE IS ISOLATED FROM ELECTRIC SUPPLY.

The range can be installed with an approved flexible connection. Supply piping should not be less than $\frac{3}{8}$ " I/D flexiline. Connection is made to the $\frac{1}{2}$ " NPT female thread located on the rear right hand side of the range.



The gas flexiline connector provided, must be fitted to the wall in the shaded area dimensioned in Fig. 14. Take into account that it must be possible to pull the cooker forward sufficiently for servicing. Ensure hose is not trapped between range back panel and rear wall. Ensure hose is routed away from the vent slots in the back panel. The hose must be in accordance with the relevant standards.

IMPORTANT THE GAS SUPPLY CONNECTION AT THE WALL MUST NOT PROJECT OUT FROM THE WALL BY MORE THAN 1 $\frac{3}{4}$ " (45mm) SO THAT IT DOES NOT FOUL WITH THE BACK OF THE RANGE .

FLEXIBLE HOSE

Use the proper gas connector flexible hose approved for residential use.

NOTE: Use soapy water solution on new gas connections to ensure there are no gas leaks.

NOTE: AN EASILY ACCESSIBLE GAS SHUT OFF VALVE MUST BE FITTED BEFORE THE METAL FLEX GAS LINE.

Check for gas soundness after connecting the appliance.

COOKER STABILITY

A safety chain must be anchored firmly to the wall and cooker to prevent the flexible hose from straining, when the cooker is withdrawn for servicing. When fitting a safety chain refer to Fig. 13.

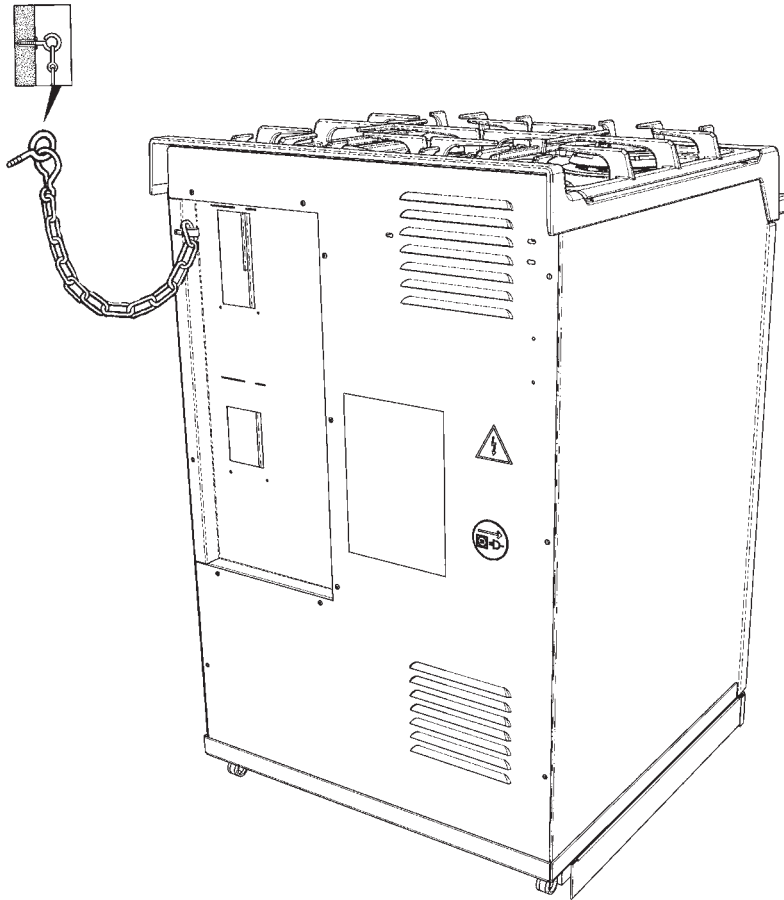


Fig. 13

DESN 517192

! If disconnection of the restraining chain is necessary, then ensure restraining chain is re-attached as appliance is relocated in its original position to avoid serious injury or fatality.

POSITION OF GAS CONNECTOR ON WALL (located in shaded area)

IMPORTANT: THE GAS SUPPLY CONNECTION AT THE WALL MUST NOT PROJECT OUT FROM THE WALL BY MORE THAN 1 3/4" (45mm), SO THAT IT DOES NOT FOUL WITH THE BACK OF THE RANGE.

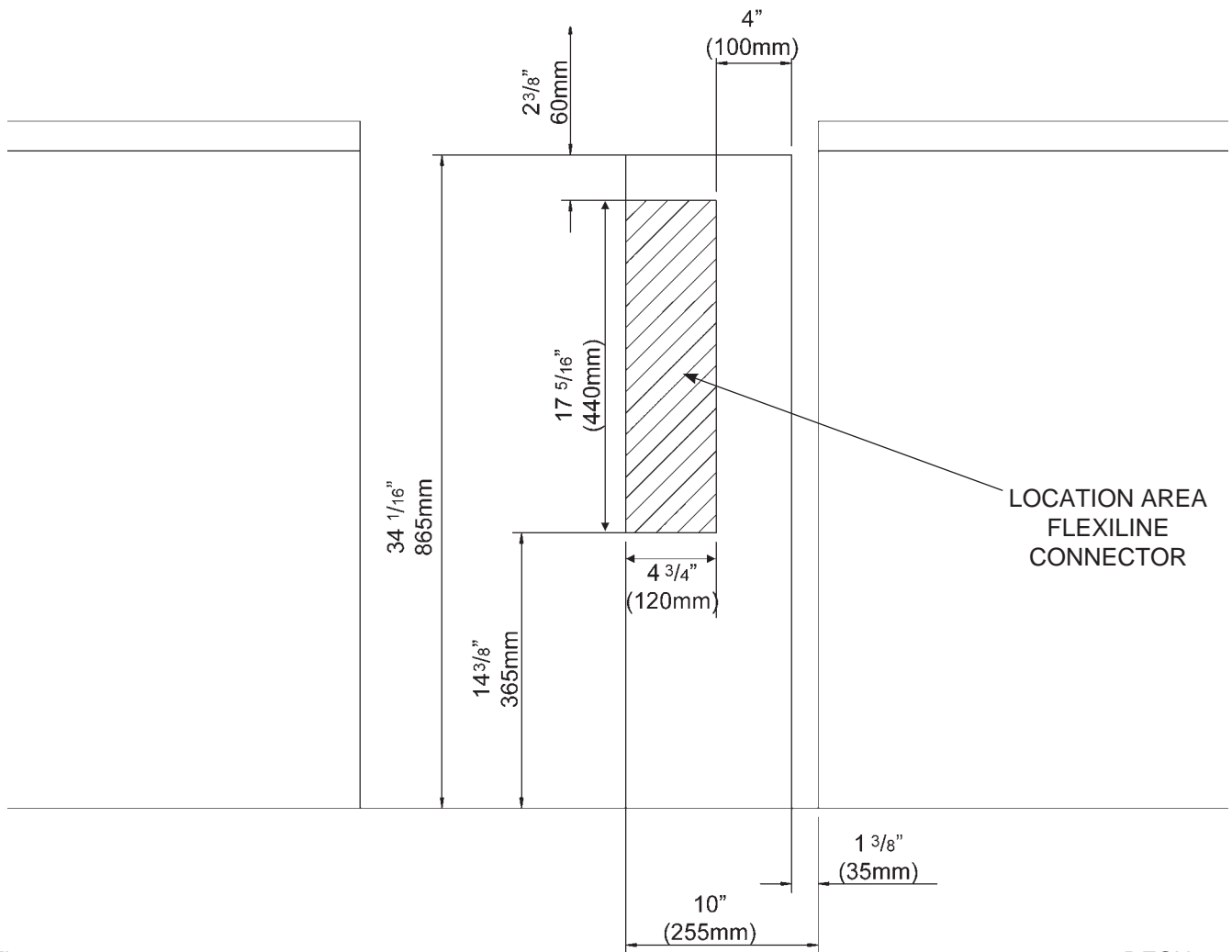


Fig.14

DESN 517235

PRESSURE TESTING

The pressure test point is situated just below hotplate level on the rear right hand side of the range. (See Fig. 12).

The maximum gas inlet pressure to the appliance must not exceed 10" w.g. for Natural gas and 14" for L.P. gas. The minimum gas inlet pressure at the appliance must not be less than 5" w.g. Natural gas and 11" w.g. for L.P. gas to enable the correct manifold pressure to be obtained.

NOTE: The regulator is preset for either Natural gas or L.P. gas.

For Natural gas manifold pressure is 4" w.g.

For L.P.G. (propane only) manifold pressure is 10" w.g.

Re-fit test point blanking screw and check for gas tightness.

ASSEMBLY OF BURNERS

FITTING OF BURNER CAP - RAPID AND SEMI-RAPID BURNERS

PLACE BURNER CAP OVER RETAINING LUGS, THEN TURN CAP CLOCKWISE TO LOCK INTO POSITION.

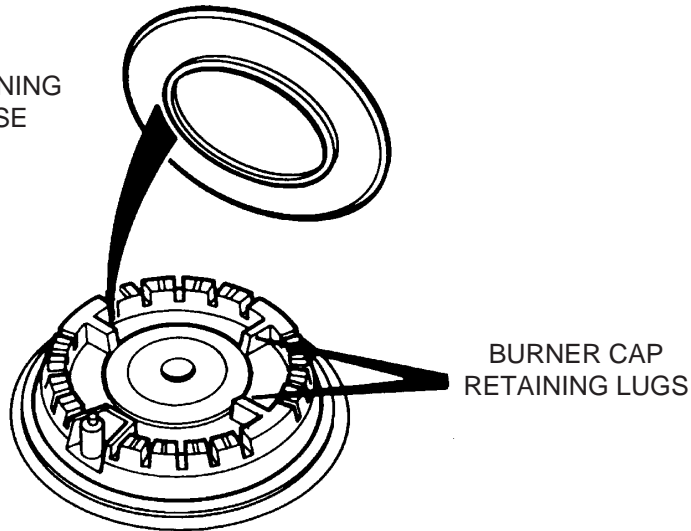


Fig. 15A

DESN 511617

ASSEMBLY OF RAPID AND SEMI-RAPID BURNERS

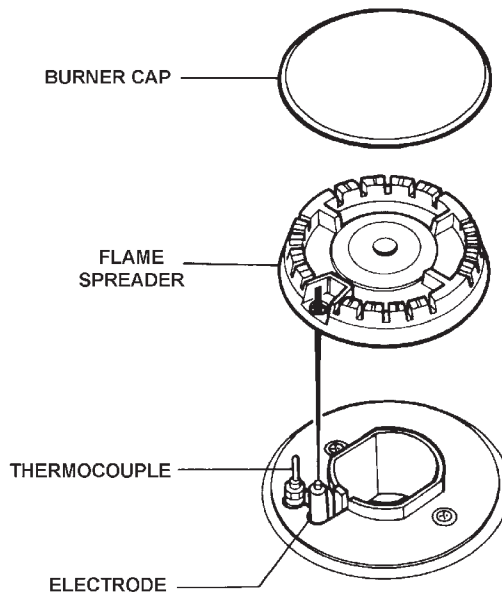


Fig. 15B

DESN 513513

WOK BURNER

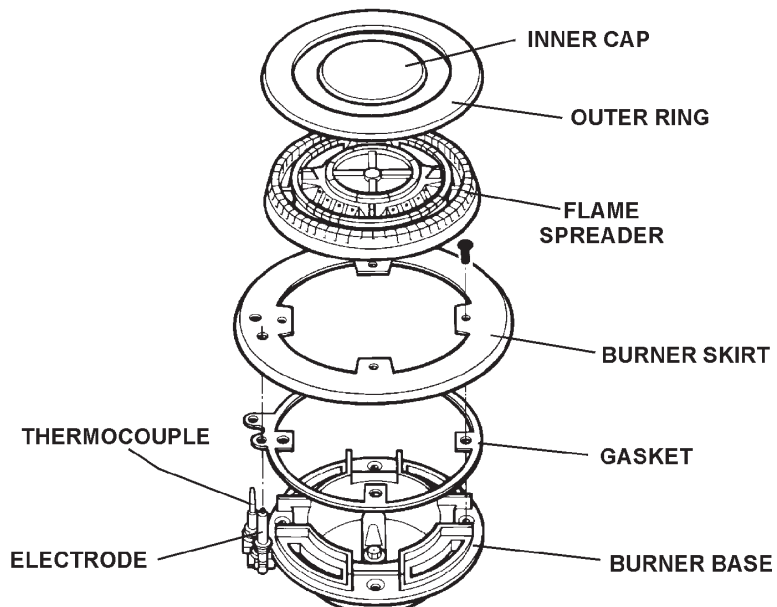


Fig. 15C

DESN 513898

TO ADJUST PAN SUPPORT LEVEL

1. Loosen retaining nut using $\frac{1}{4}$ " (8mm) spanner (See Fig. 16).
2. To prevent rocking adjust the pan support foot using $\frac{1}{8}$ " (2.5mm) allen key.
3. Check pan support is level with opposing pan supports.
4. Retighten retaining nut.



Fig. 16

DESN 517187

CONTROL KNOB AND HANDRAIL CONNECTION

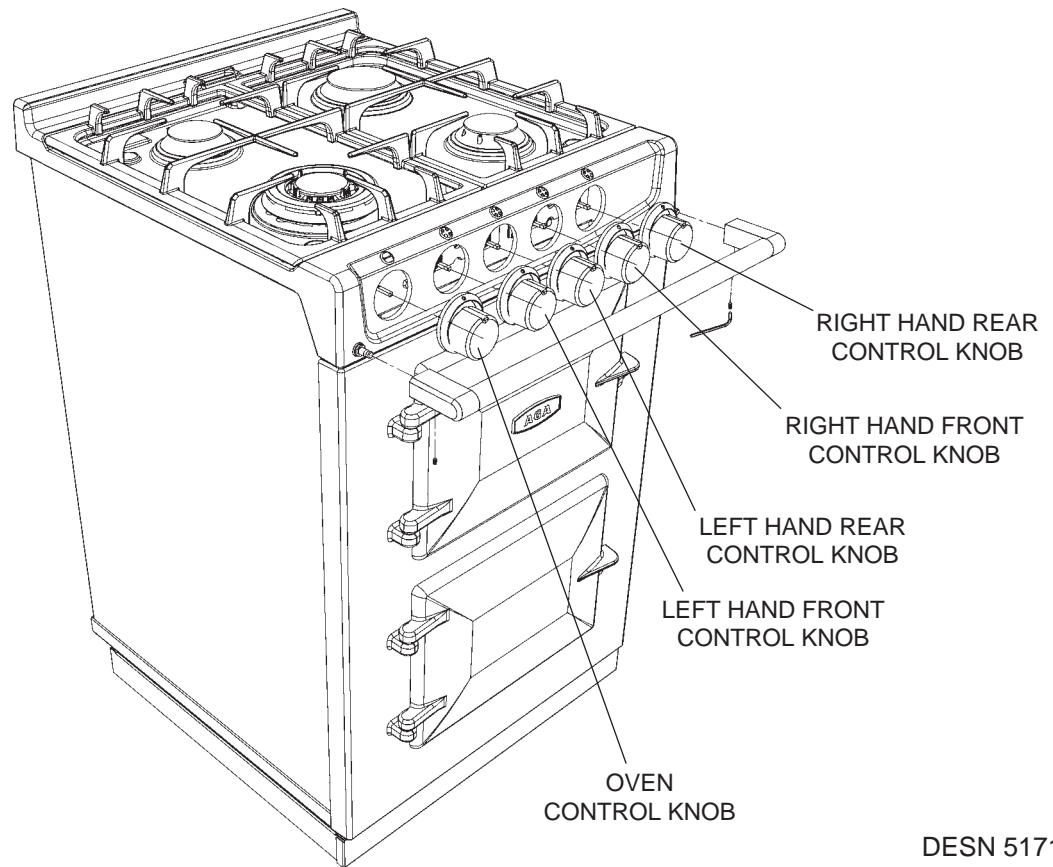


Fig. 17

DESN 517186

Control Knob and Bezel Location

Ensure control knobs and bezels are located onto spindles correctly, as shown in Fig 17.

Handrail Location

Locate handrail onto spindle, lock into position with grub screws (located on the underside of the bracket).

WIRING DIAGRAM

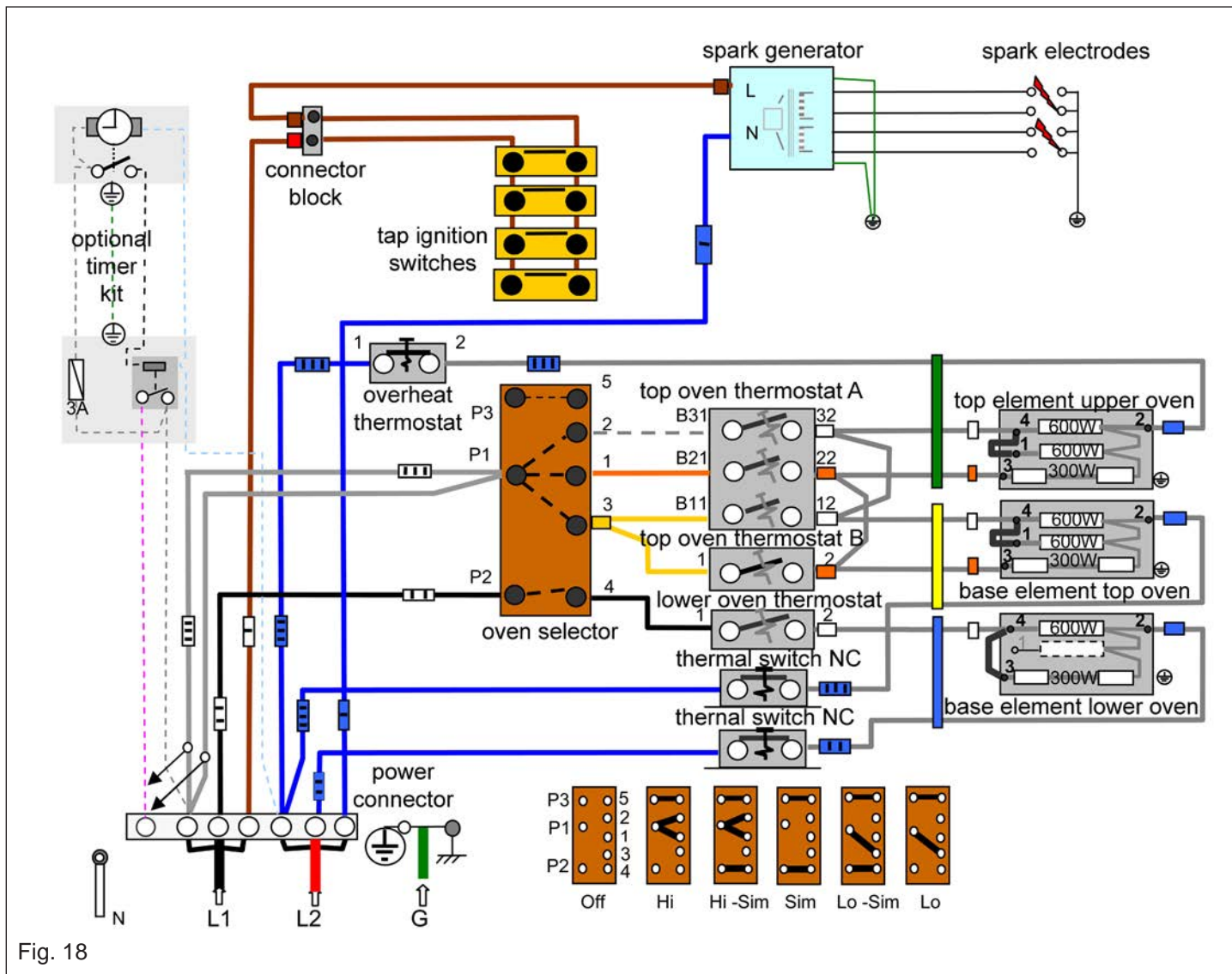


Fig. 18

AGA CITY24 (GAS TOP BURNER) CHECKLIST

SERIAL No.

Tick Box

- Check pan supports and gas hotplate burners are correctly fitted.
- Check gas pressure is correct.
- Check fit of control knobs and bezels.
- Check hotplate burner ignition.
- Check oven door seals, adjust door alignment if necessary.
- Ensure all plastic film is removed from the inside of the oven doors.
- Turn on roasting and slow cook oven.
- Guide customer through the Users Instructions of the appliance, offering best practices on oven maintenance, energy usage, enamel cleaning (boiled vegetable water staining on enamel etc.)

Engineer's Signature

Date

**For further advice or information contact your
local AGA Specialist**

With AGA Marvel's policy of continuous product improvement, the Company reserves the right to change specifications and make modifications to the appliance described and illustrated at any time.



Supplied by

AGA Marvel
1260 E. Van Deinse St.
Greenville, MI 48838

Business (616) 754-5601
Fax (616) 754-9690
Toll Free Telephone 800-223-3900

www.agamarvel.com