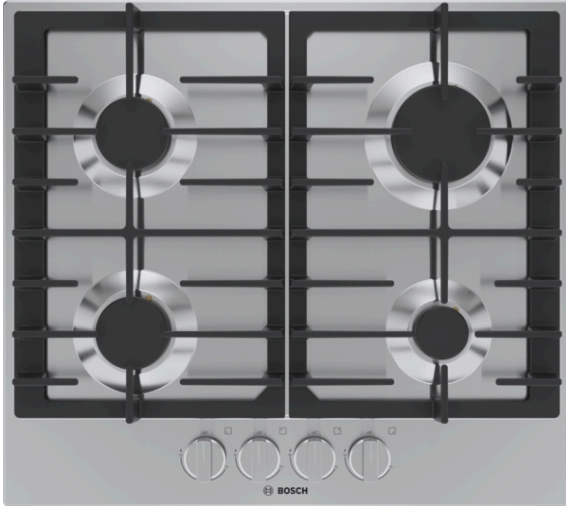


**500 Series, Gas Cooktop, 24",
Stainless steel
NGM5458UC**



The 24" gas cooktop is designed to perform and is ideal for kitchens with a smaller footprint.

- Seamless, one-piece stainless steel design makes clean-up simple.
- Continuous Grates Make Moving Heavy Pots Easier
- Four powerful gas burners allows you to cook multiple dishes with a full range BTU performance.

Technical Data

Knob Material : Full metal

Sealed Burners : Yes

Type of grate : Cast iron

Natural Gas Connection Rating : 25700 BTU

LP Gas Connection Rating : 25700 BTU

Power of heating element (W) : 1.75 kW

Power of 1st burner : 6000 BTU

Power of 3rd heating element (W) : 1.75 kW

Power of 3rd burner (BTU) : 6000 BTU

500 Series, Gas Cooktop, 24", Stainless steel NGM5458UC

The 24" gas cooktop is designed to perform and is ideal for kitchens with a smaller footprint.

Performance

- 4 high efficiency gas burners
- 10.3K BTU burner for optimal cooking results
- STAR-K Sabbath compliant

Convenience

- Sealed burners prevent spills from entering the burner box
- Full width continuous surface cast iron grates
- Push-to-turn knobs with electronic ignition

Design

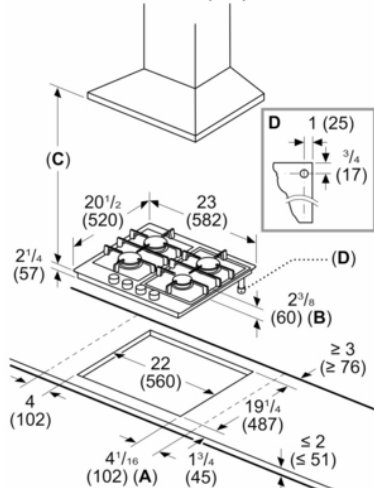
- Stainless steel cooking surface
- Heavy-duty stainless color metal knobs for a premium look and feel
- Low-profile design for an integrated transition to the counter surface
- Perfect results are within reach with up-front centralized controls
- Cooktop design coordinates with Bosch 24" ovens and ventilation

Safety

- Flame thermocouple sensing device will switch off the supply of gas if flame temporarily extinguishes
- LP conversion kit included for conversion from natural gas to liquid propane

500 Series, Gas Cooktop, 24", Stainless steel NGM5458UC

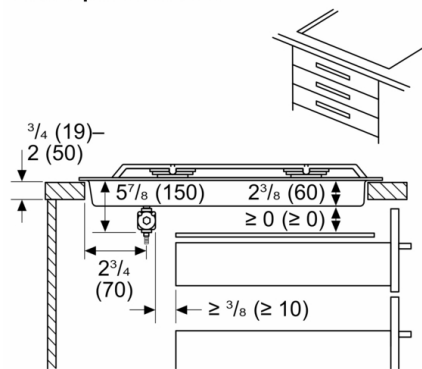
Measurements in inches (mm)



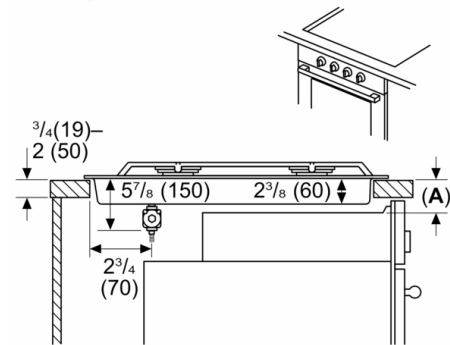
A: $5\frac{1}{16}$ " (129 mm) required when installed with a built-in oven

Refer to the "Bosch under cooktop built-in guide" for more details

Measurements in inches (mm)
Cooktop over drawer

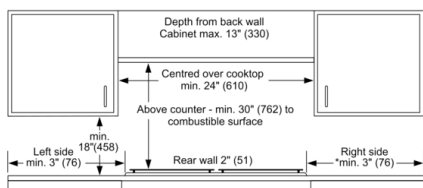
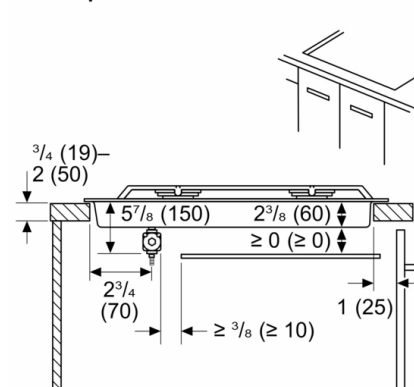


Measurements in inches (mm)
Cooktop over oven



A: Refer to approved combination matrix

Measurements in inches (mm)
Cooktop over door



* 4" (102) required when installed with a built-in oven.
Refer to the "Bosch under cooktop built-in guide" for more details.

measurements in inches (mm)