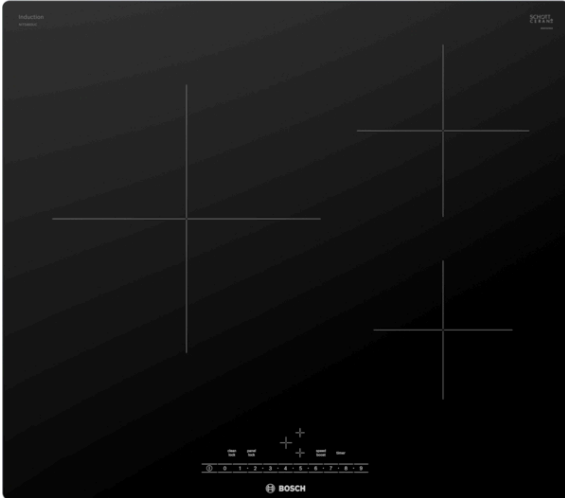


500 Series, Induction Cooktop, 24", Black NIT5460UC



The 500 Series Induction Cooktop is Sleek in Design and Offers Quick and Even Cooking Results.

- PreciseSelect® - direct cooking level selection.
- SpeedBoost® - adds even more power to speed up the cooking process.
- **ReStart**: if something boils over, the cooktop automatically turns itself off and saves the last selected setting.
- **Induction**: faster than gas and electric cooktops. Precise cooking, easy cleaning and more efficient.
- The smooth ceramic glass surface makes cooking and cleaning especially easy.

Technical Data

Sealed Burners : No

Burners with booster : All

Dimension of 2nd heating element (in) : 11"

Power of 2nd heating element (W) : 2.6 kW

Optional accessories

HEZ390210 : System pan diameter 15 cm

HEZ390220 : System pan diameter 19 cm

HEZ390230 : System pan diameter 21cm

500 Series, Induction Cooktop, 24", Black NIT5460UC

The 500 Series Induction Cooktop is Sleek in Design and Offers Quick and Even Cooking Results.

Design

- 3 Induction Cooking Zones
- PreciseSelect® - Direct Cooking Level Selection (17 Settings)

Efficiency

- SpeedBoost® - Adds Even More Power to Speed Up the Cooking Process
- PotSense™ - Automatically Adjusts Cooking Element to the Size of the Pan Bottom

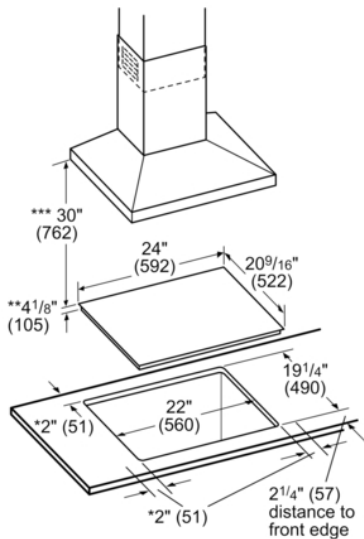
Convenience

- Use the Kitchen Timer to Measure Cooking Time or as a Reminder

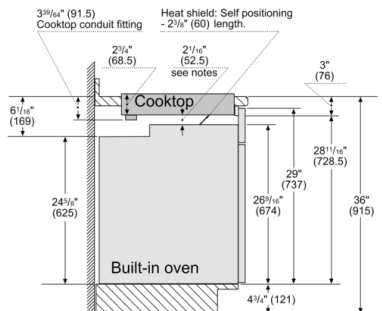
Safety

- ChildLock - Prevents the Cooktop from Being Accidentally Switched on. Locks Temperature Settings if in Use.
- Digital 2-Stage Residual Heat Indicator for Each Cooking Zone
- Wipe Protection - Quickly Pauses Settings to Clean as You Go
- ReStart - Quickly Reinstates Previous Settings

500 Series, Induction Cooktop, 24", Black NIT5460UC



* Minimum distance from the hob cut-out
30" Built-in oven – under induction cooktop

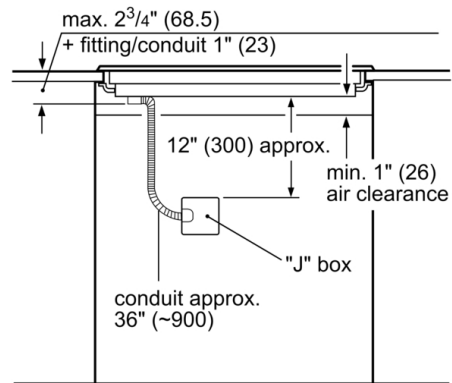


Notes:

Dimensions based on standard countertop height
(36" with 4³/₄" toe kick including base plate).

The built-in oven can be installed below the induction cooktop as long as there is a minimum 1" (26) clearance between the bottom of the cooktop and the top of the oven.

measurements in inches (mm)



measurements in inches (mm)

Measurements in inches (mm)

