

Installation **GUIDE**

Masterpiece[®] and Professional Series Built-In Oven

ME301WS MED301WS MED301LWS
MED301RWS PO301W POD301W POD301LW
POD301RW ME302WS MED302WS
MED302LWS MED302RWS PO302W POD302W
POD302LW POD302RW MEM301WS POM301W
MEDMC301WS PODMC301W MEDMCW31WS
PODMCW31W MEDS301WS PODS301W
MEDS302WS PODS302W



Table of CONTENTS

Safety Definitions	3	Appliance and Cabinet Cutout Dimensions	19
IMPORTANT SAFETY INSTRUCTIONS	4	Dimensions for Single Oven Units	19
Appliance Handling Safety	4	Dimensions for Steam and Convection Oven Units	21
Safety Codes and Standards	4	Dimensions for Steam and Convection Oven with Storage Drawer	22
Electric Safety	4	Dimensions for Double Oven Units	23
Related Equipment Safety	4	Dimensions for Combination Oven with Steam and Convection Oven Units	25
State of California Proposition 65 Warning:	4	Dimensions for Combination Oven with Microwave or Speed Oven	26
Transport	5	Dimensions for Triple Oven with Speed Oven and Warming Drawer	27
Preparation	6	THERMADOR® Support	28
Model Numbers Covered in this Manual	6	Service	28
Before you Begin	6	Parts and Accessories	28
Checklist for Installation	7		
Removing Packaging	7		
Left Packaging Bracket Removal	7		
Right Packaging Bracket Removal	7		
Electrical Installation	8		
Electrical Connection	8		
Four-wire Connection (Preferred)	8		
Three-wire Connection	8		
Four-wire Connection for Steam Oven	9		
Three-wire Connection for Steam Oven	9		
Oven Installation	9		
For Best Installation	9		
Removing the Oven Door	9		
Placing the Oven into the Cabinet Opening	12		
Reinstalling Oven Doors with Bottom Hinge	13		
Aligning Side Hinge Oven Doors	13		
Side Hinge Door Alignment Procedure	14		
Side Hinge Door Troubleshooting Guide	15		
Testing Operation	16		
Service	16		
Before Calling Service	16		
Single Oven-Side Hinge	16		
Single Oven-Bottom Hinge	16		
Double Oven-Side Hinge	17		
Double Oven-Bottom Hinge	17		
Cabinet Requirements	18		
Door Handle Depth	18		

This THERMADOR Appliance is made by
BSH Home Appliances Corporation
1901 Main Street, Suite 600
Irvine, CA 92614

Questions?

1-800-735-4328

www.thermador.com

We look forward to hearing from you!

Safety Definitions

▲ WARNING

This indicates that death or serious injuries may occur as a result of non-observance of this warning.

▲ CAUTION

This indicates that minor or moderate injuries may occur as a result of non-observance of this warning.

NOTICE: This indicates that damage to the appliance or property may occur as a result of non-compliance with this advisory.

Note: This alerts you to important information and/or tips.

IMPORTANT SAFETY INSTRUCTIONS

READ AND SAVE THESE INSTRUCTIONS

IMPORTANT: SAVE THESE INSTRUCTIONS FOR THE LOCAL ELECTRICAL INSPECTOR'S USE.

INSTALLER: LEAVE THESE INSTALLATION INSTRUCTIONS WITH THE UNIT FOR THE OWNER.

OWNER: PLEASE RETAIN THESE INSTRUCTIONS FOR FUTURE REFERENCE.

WARNING

If the information in this manual is not followed exactly, fire or shock may result causing property damage or personal injury.

WARNING

Do not repair, replace or remove any part of the appliance unless specifically recommended in the manuals. Improper installation, service or maintenance can cause injury or property damage. Refer to this manual for guidance. All other servicing should be done by an authorized servicer.

Appliance Handling Safety

CAUTION



- Unit is heavy and requires at least two people or proper equipment to move.
- For double and triple ovens three or more people are needed to assist with lifting the unit in to place.
- Do not lift appliance by door handle.
- Hidden surfaces may have sharp edges. Use caution when reaching behind or under appliance.

Safety Codes and Standards

This appliance complies with the latest version of one or more of the following standards:

- CAN/CSA C22.2 No. 61 - Household Cooking Ranges
- UL 858 - Household Electric Ranges
- CAN/CSA C22.2 No. 150 - Microwave Ovens
- UL 923 - Microwave Cooking Appliances
- CSA C22.2 No. 64 - Household Cooking and Liquid-Heating Appliances
- UL 1026 - Electric Household Cooking and Food Serving Appliances

It is the responsibility of the owner and the installer to determine if additional requirements and/or standards apply to specific installations.

Electric Safety

Before you plug in an electrical cord, be sure all controls are in the OFF position.

If required by the National Electrical Code (or Canadian Electrical Code), this appliance must be installed on a separate branch circuit.

Installer - show the owner the location of the circuit breaker or fuse. Mark it for easy reference.

Important - save these instructions for the local electrical inspector's use.

Before installing, turn power OFF at the service panel. Lock service panel to prevent power from being turned ON accidentally.

Refer to rating label for more information. See "Rating Label" under "Service" for rating label location.

Be sure your appliance is properly installed and grounded by a qualified technician. Installation, electrical connections and grounding must comply with all applicable codes.

Related Equipment Safety

Remove all tape and packaging before using the appliance. Destroy the packaging after unpacking the appliance. Never allow children to play with packaging material

Never modify or alter the construction of the appliance. For example, do not remove leveling legs, panels, wire covers or anti-tip brackets/screws.

Before starting up the appliance, remove any packaging material and adhesive film from the cooking compartment and the door.

State of California Proposition 65 Warning:

WARNING

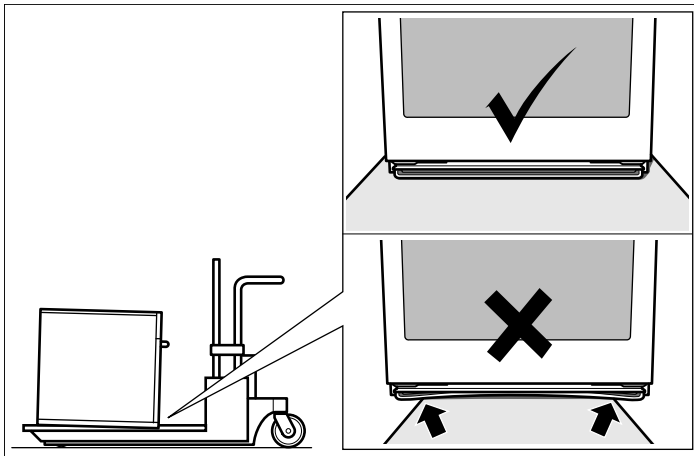
This product can expose you to chemicals including vinyl chloride, which is known to the State of California to cause cancer and birth defects or other reproductive harm. For more information go to www.P65Warnings.ca.gov.

⚠ IMPORTANT SAFETY INSTRUCTIONS

READ AND SAVE THESE INSTRUCTIONS

Transport

To avoid damage to the oven vent, use the transport method shown in the picture below.



Preparation

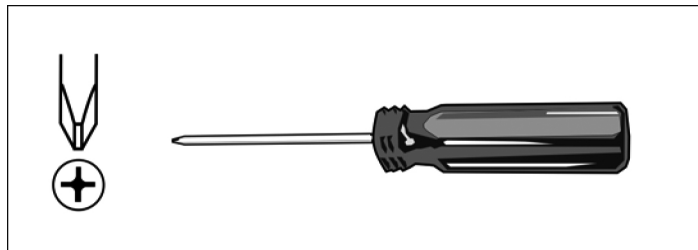
Model Numbers Covered in this Manual

Model	Type	Series
ME301WS	Single Oven	Masterpiece
MED301WS	Single Oven	Masterpiece
MED301LWS	Single Oven	Masterpiece
MED301RWS	Single Oven	Masterpiece
PO301W	Single Oven	Professional
POD301W	Single Oven	Professional
POD301LW	Single Oven	Professional
POD301RW	Single Oven	Professional
ME302WS	Double Oven	Masterpiece
MED302WS	Double Oven	Masterpiece
MED302LWS	Double Oven	Masterpiece
MED302RWS	Double Oven	Masterpiece
PO302W	Double Oven	Professional
POD302W	Double Oven	Professional
POD302LW	Double Oven	Professional
POD302RW	Double Oven	Professional
MEM301WS	Combination Oven with Microwave	Masterpiece
POM301W	Combination Oven with Microwave	Professional
MEDMC301WS	Combination Oven with Speed Oven	Masterpiece
PODMC301W	Combination Oven with Speed Oven	Professional
MEDMCW31WS	Triple Oven with Speed Oven and Warming Drawer	Masterpiece
PODMCW31W	Triple Oven with Speed Oven and Warming Drawer	Professional
MEDS301WS	Steam and Convection Oven	Masterpiece
PODS301W	Steam and Convection Oven	Professional
MEDS302WS	Combination Oven with Steam and Convection Oven	Masterpiece
PODS302W	Combination Oven with Steam and Convection Oven	Professional

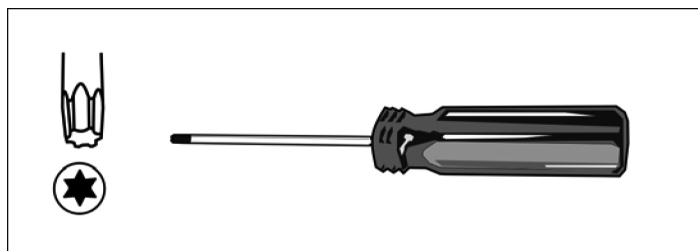
Before you Begin

Tools and Parts Needed

- #2 Phillips head screwdriver (to install trim screws).



- T20 Star-head screwdriver (to remove shipping screws).



- 1/8" drill bit and drill (to drill pilot holes for trim screws).
- Measuring tape.
- Gloves and long sleeves are recommended (to help protect hands and arms from scratches).

Parts Included

Phillips head screws (6).

Power Requirements

The junction box must be properly grounded in accordance with all applicable codes.

Checklist for Installation

Use this checklist to verify that you have completed each step of the installation process. This can help you avoid common mistakes.

Always read and follow the complete installation instructions contained in this manual.

Refer to detailed instructions for each step in the sections following this checklist.

1. Before installing the oven, be sure to verify the cabinet dimensions are correct for your unit and that the required electrical connections are present. Make sure the electrical conduit provided on the unit is able to reach to the point of connection.

Section: Dimensions and Cabinet Requirements

2. Move the oven unit into place in front of the cabinet opening.

Section: Removing Packaging

3. Remove packaging materials, leaving the bottom packaging on the unit to avoid damaging flooring.

Section: Removing Packaging

4. Remove the T20 (star head) screws holding the unit to the base of the carton.

Section: Removing Packaging

5. Perform Electrical Installation.

Section: Electrical Installation

6. Remove the oven door or doors (bottom hinge only).

Section: Oven Installation, "Removing the Oven Door"

7. Team lift the unit directly into the cabinet cutout.

Section: Oven Installation, "Placing the Oven into the Cabinet Opening"

8. Slide the unit all the way into place.

Section: Oven Installation, "Placing the Oven into the Cabinet Opening"

9. Fasten the oven unit to the cabinetry opening with the screws supplied.

Section: Oven Installation, "Placing the Oven into the Cabinet Opening"

10. Reinstall the oven door(s).

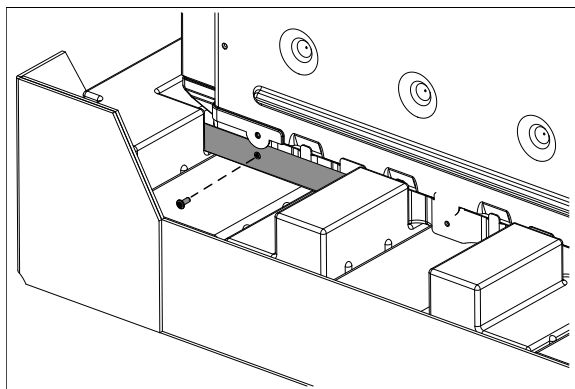
Section: Oven Installation, "Placing the Oven into the Cabinet Opening"

Removing Packaging

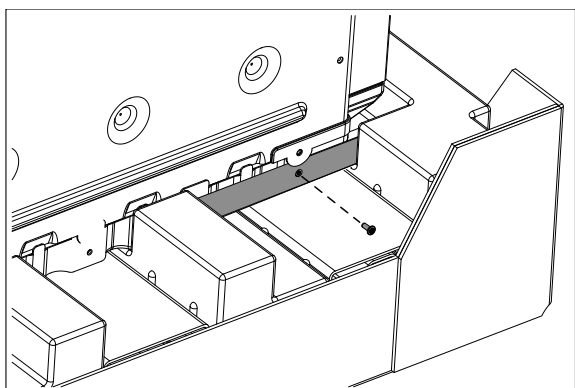
NOTICE: To prevent damage to your floor keep the unit in its packaging base until ready to be placed in the cabinet opening. Do not slide the unit across the flooring. Different models use different packaging materials. Actual brackets may look differently. Bracket remains in packaging base.

1. Cut straps on outside of box.
2. Remove cardboard box.
3. Remove all top and side cardboard, foam and wood packaging.
4. Place oven (leaving it on the shipping base) in front of the cabinet where it is to be installed.
5. Remove all accessories, racks, packing materials and literature from the oven cavity. Check both cavities for double ovens.
6. Unscrew unit from packaging brackets as shown. The screws near the base mounting bracket are all T20 size. Only the one screw that goes through the slotted hole in the mounting bracket on the left and right sides of the unit needs to be removed in order to lift the unit from the mounting base.

Left Packaging Bracket Removal



Right Packaging Bracket Removal



Electrical Installation

All model ovens on the front cover are dual rated, designed to be connected to either 208/240V AC, 60 Hz, 4 wire, single-phase power supply.

Model	Circuit Required	Watts @ 240v	Circuit Required	Watts @ 208v
MEDS301WS PODS301W	20 AMP	4100	20 AMP	3500
ME301WS MED301LWS MED301RWS MED301WS POD301W POD301LW POD301RW POD301W	30 AMP	6400	30 AMP	4800
ME302WS PO302W MEDS302WS PODS302W	40 AMP	9200	40 AMP	7000
MED302WS MED302LWS MED302RWS POD302W POD302LW POD302RW	40 AMP	9600	40 AMP	7500
MEDMC301WS MEDMCW31WS- MEM301WS PODMC301W PODMCW31W POM301W	50 AMP	10200	40 AMP	8300

The electrical supply should be a 4-wire single-phase AC. Install a suitable conduit box (not furnished). An appropriately-sized, UL-listed conduit connector must be used to correctly attach the conduit to the junction box.

Note: Local Codes may vary; installation, electrical connections and grounding must comply with all applicable local codes.

If local codes permit grounding through the electrical supply neutral, connect both the white neutral wire and the bare ground wire from the oven to the white neutral electrical supply wire.

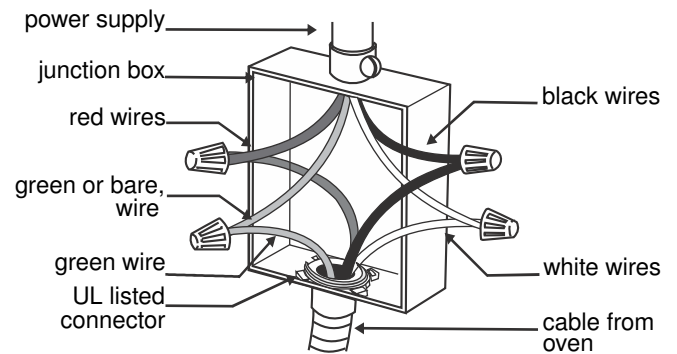
Electrical Connection

The four-wire connection is preferred, but where local codes permit, the three wire connection is also acceptable.

⚠ WARNING

When connected to a 4 or 5-wire, 120/208-Volt 3-phase power supply, the phase C conductor is not required for the operation of the appliance.

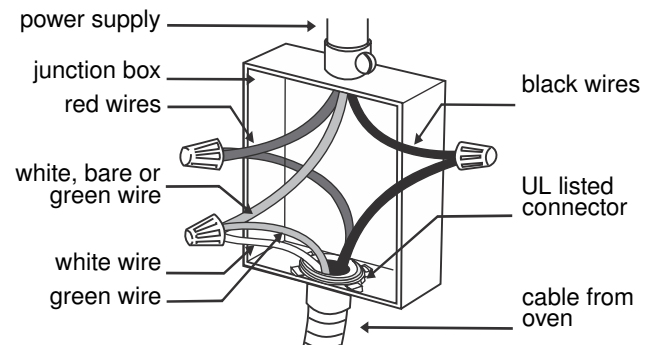
Four-wire Connection (Preferred)



- Connect the red oven wire to the red electrical supply wire (hot wire).
- Connect the black oven wire to the black electrical supply wire (hot wire).
- Connect the white neutral oven wire to the white neutral (not bare or green ground) electrical supply wire.
- Connect the green ground oven wire to the bare or green ground electrical supply wire.

Three-wire Connection

Grounded Neutral

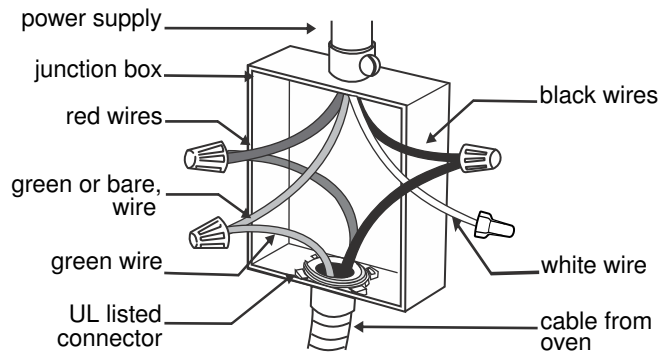


- Connect red wire from oven to red wire in junction box.
- Connect black wire from oven to black wire in junction box.
- Connect both green ground wire and white wire from oven to white, green or bare neutral wire in junction box.

The conduit cable, where connected at the oven, swivels. Rotate conduit cable upward (or downward) and direct through hole prepared in cabinet to attach to junction box.

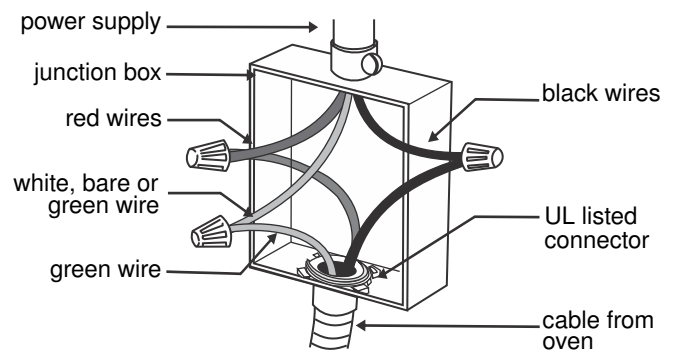
To maintain serviceability, the flex conduit must not be shortened and should be routed to permit temporary removal of the oven.

Four-wire Connection for Steam Oven



- Connect the red oven wire to the red electrical supply wire (hot wire).
- Connect the black oven wire to the black electrical supply wire (hot wire).
- Connect the green ground oven wire to the bare or green ground electrical supply wire.
- A neutral wire connection (white wire) is not required for operation of the oven.

Three-wire Connection for Steam Oven



- Connect red wire from oven to red wire in junction box.
- Connect black wire from oven to black wire in junction box.
- Connect green ground wire from oven to white, green or bare neutral wire in junction box.

The conduit cable, when connected at the oven, swivels. Rotate conduit cable upward (or downward) and direct through hole prepared in cabinet to attach to junction box.

To maintain serviceability, the flex conduit must not be shortened and should be routed to permit temporary removal of the oven.

Oven Installation

NOTICE: Before installing the appliance, be sure to verify the cabinet dimensions and electrical connections.

For Best Installation

The oven can be difficult for two people to handle during installation. It is recommended to have three or more people available to assist with lifting the unit into place. Removal of the oven door during installation (to provide the necessary handholds and to significantly reduce the unit weight) can be cumbersome unless the detailed door removal instructions are followed carefully. Please take time to read and follow the instructions provided for an improved installation experience.

Removing the Oven Door

Note: Only bottom hinge doors can be removed. Do not remove side hinge or steam convection oven doors.

▲ CAUTION

WHEN REMOVING THE OVEN DOOR:

- The oven door is heavy and fragile. Use both hands to remove the oven door. The door front includes glass components. Handle carefully to avoid breaking.
- Grasp only the sides of the oven door. Do not grasp the handle as it may swing in your hand and cause damage or injury.
- Failure to grasp the oven door firmly and properly could result in personal injury or product damage.
- To avoid injury from hinge bracket snapping closed, be sure that both locking levers are securely in place before removing the door. Also, do not force the oven door open or closed - the hinge could be damaged and injury could result.
- Do not lay the removed door on sharp or pointed objects as this could break the glass. Lay the door on a flat, smooth surface, positioned so that the door cannot fall over.

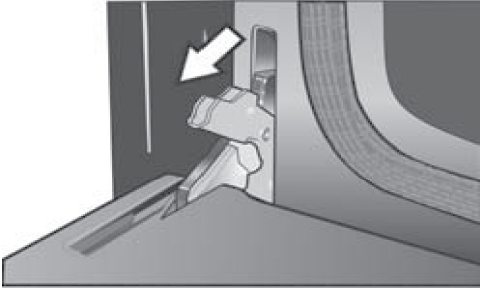
Remove Lower Oven Door Prior to Installation

Note: Do not remove microwave, speed oven, side hinge or steam convection oven doors.

It is recommended to remove the traditional (lower) oven door to help reduce the unit weight and provide easier access to the latch levers located inside the oven.

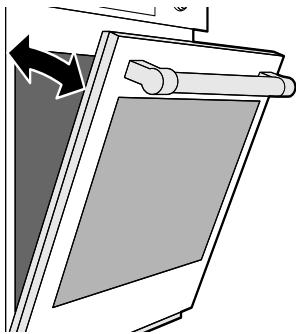
Note: Be sure to read all warnings and cautions in the installation manual regarding the door removal before attempting to remove the door.

1. Open the door completely to its fully open, horizontal position.
2. Flip latch levers on hinges all the way down toward you.

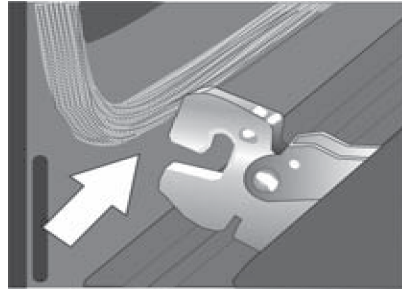


Note: It may be necessary to use a tool, such as a screwdriver, to gently pry the upper part of the lever away from the housing. Take care to avoid scratching the housing.

3. Close the oven door until it catches on the hinge stop levers, locking the hinges at the proper angle for door removal. The door will be open about 7 inches at the top. This takes the spring tension off the hinges so the door can be easily lifted out.



4. Carefully lift the door up and out of the hinge slots. Hold firmly; the door is heavy. Use both hands to firmly grip it by the sides. Do not grip the door by the handle. Maintaining the door angle, lift the door straight up approximately 3/4" to unhook the hinges from the slots and then pull it out towards you until the hinges are clear of the oven housing.



5. Place the door in a convenient and stable location until you are ready to reinstall it. Lay the door on a towel or section of protective foam padding to avoid damage to the door or the floor.



Correctly Lifting the Combination Oven

⚠ CAUTION

Wear gloves and a long-sleeved shirt to protect hands and forearms from abrasion, potential scratches or cuts. Take off watches and jewelry and wear work shoes for foot protection.

⚠ CAUTION

Three people or proper equipment are needed to safely lift the combination oven into the cabinet opening.

NOTICE: DO NOT attempt to lift the unit by holding the oven's upper element.

Lifting Recommendations

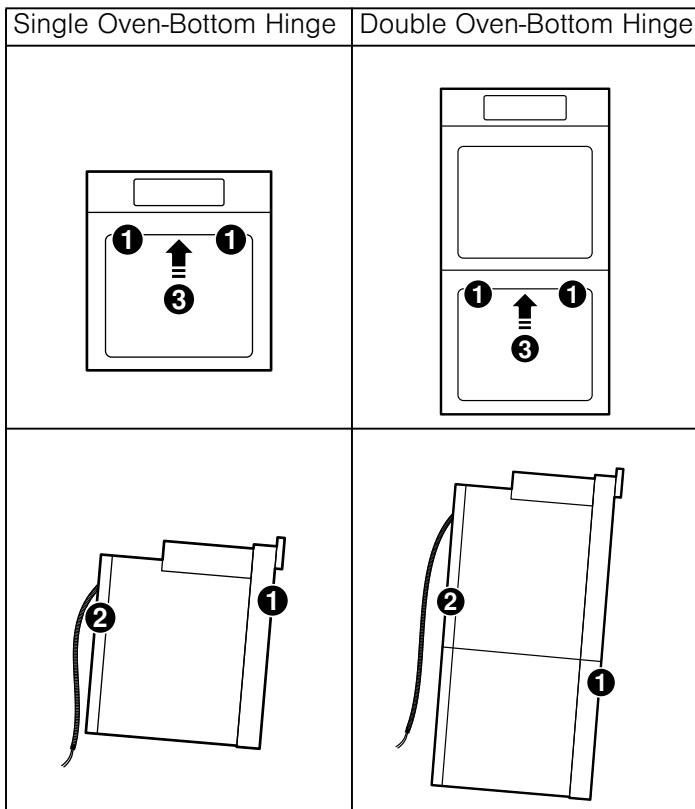
There is a ridge across the top front of the oven cavity. Lift by grasping this ridge with one hand while placing the other hand on the back of the unit (for helpers lifting from the sides of the unit). If a third helper is lifting from the front, both hands should lift by holding this ridge area.

Lifting Locations-Bottom Hinge Door

Note: It is recommended to remove the door to help reduce the unit weight and provide easier access to the handholds located inside the oven.

Proceed to lift the oven following the guidelines below with the door removed

- Lift points (1) on the front of the unit are for lifting from the sides of the unit. Lift point (3) on the front of the unit is for a third person to help lift the unit.
- Lift point (2) on the back of the unit shows the location of the opposite hand for the helpers lifting from the sides of the unit. Adjust the location as needed to facilitate the lift.

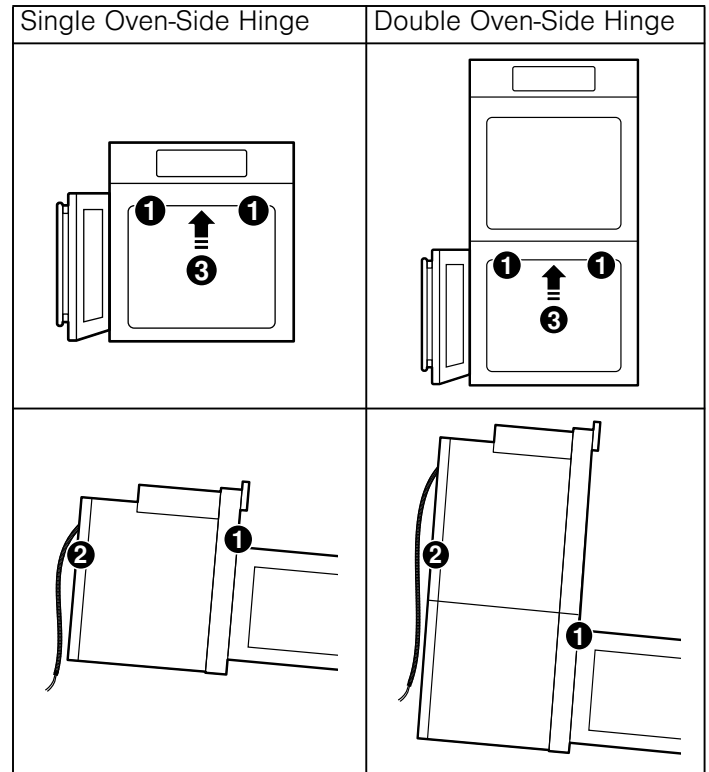


Lifting Locations-Side Hinge Door

Note: Do not attempt to remove the side hinge door. Lift locations are called out for door opened to 90°-110°).

Proceed to lift the oven following the guidelines below with the door open to 90°-110°:

- Lift points (1) on the front of the unit are for lifting from the sides of the unit. Lift point (3) on the front of the unit is for a third person to help lift the unit.
- Lift point (2) on the back of the unit shows the location of the opposite hand for the helpers lifting from the sides of the unit. Adjust the location as needed to facilitate the lift.

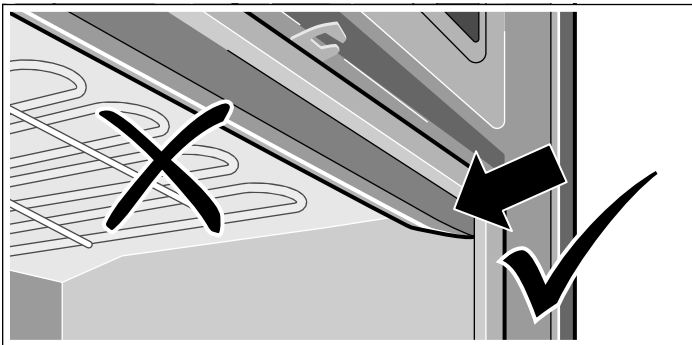


Placing the Oven into the Cabinet Opening

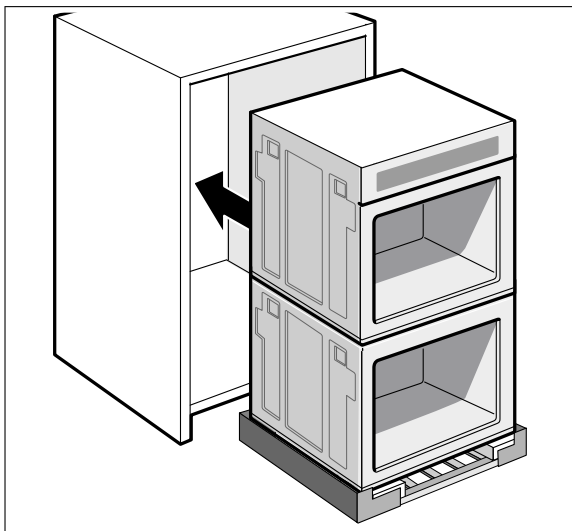
▲ CAUTION

- To avoid potential damage to flooring keep the unit on its base packaging until immediately before placing the unit directly into the cabinet opening. Do not allow the metal base of the unit to contact the flooring. See the following handling instructions for details.
- To avoid damage to the door (and/or warming drawer front for combo units) do not lift, pull or push the unit during installation by using the oven door handle or warming drawer handle as a gripping point.
- Wear gloves and long sleeves to protect hands and forearms from abrasion and potential scratches during the lifting process. Take off watches and jewelry and wear work shoes during installation for foot protection.

When lifting the unit into place avoid grasping the upper element to avoid damaging it. See the following illustration for the correct lifting point.



1. The unit and its bottom packaging (pallet) should be positioned close to and in front of the cabinet opening prior to beginning to lift the unit into place.



2. Lift or slide unit into the cabinet cutout without allowing the unit base to contact the flooring.

3. Guide the unit straight back into the cabinet cutout. Push the unit straight in until the oven trim is about 2 inches from being flush with cabinet wall. Be careful not to crimp the flexible conduit between the oven and the cabinet back wall. If necessary, guide the flexible conduit into the wall or cabinet access hole so it doesn't prevent the unit from being pushed all the way into the cabinet opening. The oven should be straight and level, not crooked.
4. Push the unit all the way back into the cabinet cutout until the front edge of the unit is flush with the front of the cabinet.
5. Install the supplied screws through the tap holes in the trim (2 screws for single ovens, 4 screws for double/ combo ovens). It is recommended to drill pilot holes for the trim screws.

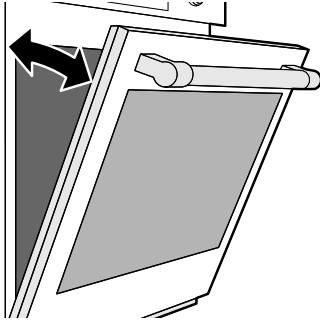
To ensure the door and oven function properly, the screws should be installed on the face of the side trim for traditional bottom hinge doors and on the side of the side trim for side hinge doors.

6. Replace the oven door(s) according to the following instructions.

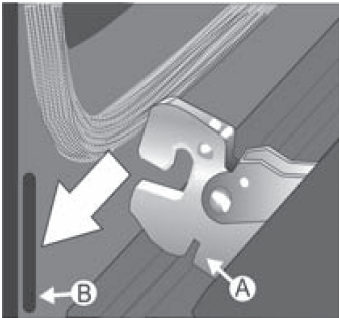
Reinstalling Oven Doors with Bottom Hinge

To replace the oven door:

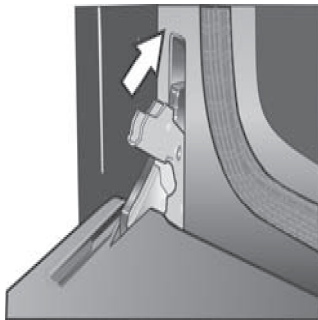
1. Holding the door firmly in both hands, grip it on either side. **Do not grip by the handle.**
2. Tilt the door back slightly towards you until it opens about 7" at the top.



3. Slide the hinges into the slots as far as they will go and then lower the door straight down. The angle of the door may need to be adjusted slightly to allow the hinges to engage properly and the door to lower into place. The door should lower about 3/4" and stop. If not, the hinges have not engaged properly and the door could fall if it is released.
4. Lower the door into the fully open 90° position. If the door will not lower all the way to the 90° position, the hinges are not correctly seated. The door should be straight, not crooked.



5. Push the levers on both the hinges up and forward until they are locked into the slot, flush with the front of the oven body.



6. Close the door gently. It should close all the way. Gently open and close the door several times to be sure it is correctly installed and securely in place.

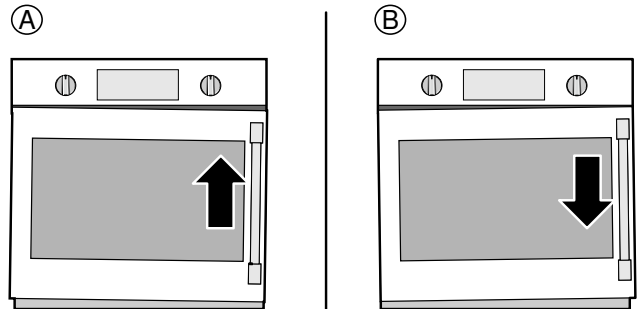
Aligning Side Hinge Oven Doors

Note: Only align the side hinge oven doors after the unit is fully installed into the cabinet.

Tip: The gap between the top of the closed oven door and the control panel (or upper door for lower cavities in double ovens) should be uniform from side to side.

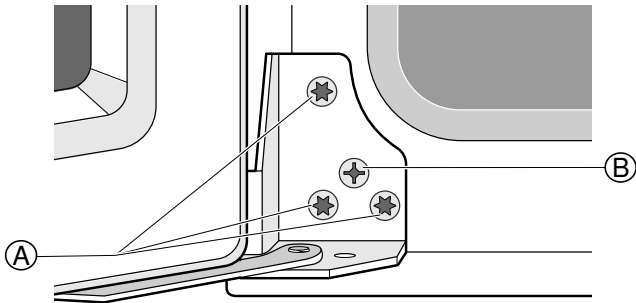
To align side hinge door:

1. Check to see if the side hinge oven doors are properly aligned.
The door should pull itself closed smoothly when the striker engages the roller as the door is closed.
2. Fig. A-Door is too low if hinge side is above level. A bump will be felt when the striker comes in to contact with the realignment roller.
3. Fig. B-Door is too high if latch side is above level. Interference will be felt between the striker and the catch receiver. Door needs to move down on latch side.



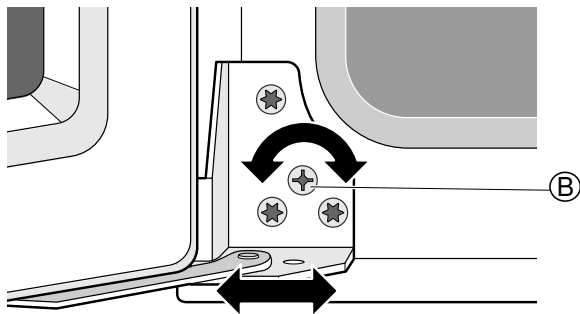
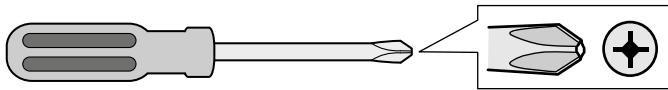
Side Hinge Door Alignment Procedure

1. Open the door to approximately 135°.
2. Using a Torx T20 screwdriver, loosen the three screws (A) on the lower hinge by 1 to 2 full turns.



Note: All adjustments are made with the lower hinge only. The upper hinge is fixed in place and cannot be adjusted.

3. Using a #2 Phillips screwdriver, turn the cam screw (B) right or left to adjust the hinge position in the desired direction.



Note: 1mm of hinge movement (left or right) will move the door up or down approximately 1.5mm at the door catch.

4. Re-tighten the screws before closing the door to test. Be careful not to overtighten.
5. Check for proper door alignment. Repeat adjustment procedure as necessary.

Side Hinge Door Troubleshooting Guide

Side Hinge Door Troubleshooting Guide

Problem	Additional Information	Explanation	Suggestion
The door does not pull itself closed and is difficult to open.	The side edge of the inner door (on the handle side of the door) appears to make contact with the unit's side trim.	The installation is causing the side trim to be pushed too far inward.	<ul style="list-style-type: none"> • Check the installation of the unit in the cabinetry. Try moving the unit in the cabinet towards the side of the hinges to allow the interfering side trim to open up. • Adjust the location of the side trim screws to hold the trim away from the door. • Check the cabinet opening that it is not too narrow. Widen the cutout as necessary.
The door does not stay closed.	Very little force is required to pull open the door.	The door catch mechanism internal to the door has inadvertently tripped while the door was open.	<ul style="list-style-type: none"> • To reset the mechanism, close the door completely and while closed, push in firmly on the door handle until the mechanism resets. • Open to test.
The door does not close on the striker smoothly. Once closed, the door opens without incident.	<ul style="list-style-type: none"> • When closing the door onto the striker, the door lifts itself upward. • You will feel a slight bump as the roller (internal to the door) hits the tip of the striker and lifts the door. • If the door needs to lift substantially, the door will no longer pull itself closed and assistance is required to push it closed fully. 	<ul style="list-style-type: none"> • The door alignment is too low to engage properly with the striker. • Refer to <i>Side Hinge Door Alignment</i> section for instructions. 	<ul style="list-style-type: none"> • Refer to <i>Side Hinge Door Alignment Procedure</i> to raise the handle side of the door until it closes smoothly. • The door should open and pull itself closed smoothly without hearing or feeling interference.
The door does not close on to the striker smoothly. Once closed, the door may also appear to stick while pulling the door open.	While trying to open the door, you feel an interference that catches the door and may prevent it from opening. A similar interference is felt when closing.	<ul style="list-style-type: none"> • The door alignment is too high to engage properly with the striker. • Refer to <i>Side Hinge Door Alignment</i> section for instructions. 	<ul style="list-style-type: none"> • Apply pressure downward on the handle while pulling. • Refer to <i>Side Hinge Door Alignment Procedure</i> to lower the handle side of the door. • The door should open smoothly and pull itself closed smoothly without hearing or feeling interference.

Testing Operation

1. Turn on power at the breaker.
2. Test the oven mode.
Select the BAKE mode. See the Use and Care Manual for detailed operation instructions.
3. Verify that the oven light comes on and the oven begins to preheat.
4. Test the door lock.
Set the SELF CLEAN mode. Confirm that the door locks when the lock icon appears in the display.
5. If installing a double oven, test the second oven as well.
6. If any of the tests do not result as explained above, contact service for assistance. Otherwise, the installation is complete at this time.

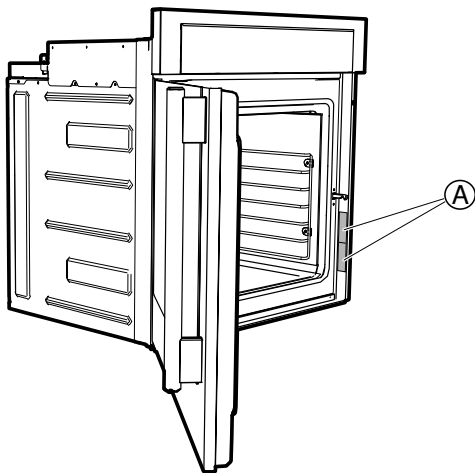
Service

Before Calling Service

Do not remove rating label as it may void the product warranty.

Single Oven-Side Hinge

The rating labels (A) are opposite the door hinge. For left hinge doors, the rating labels will be on the door trim on the right hand side of the door. For right hinge doors, the rating labels will be on the door trim on the left hand side of the door.



Rating Label Location

A	Rating Label
---	--------------

Model Number and FD Number

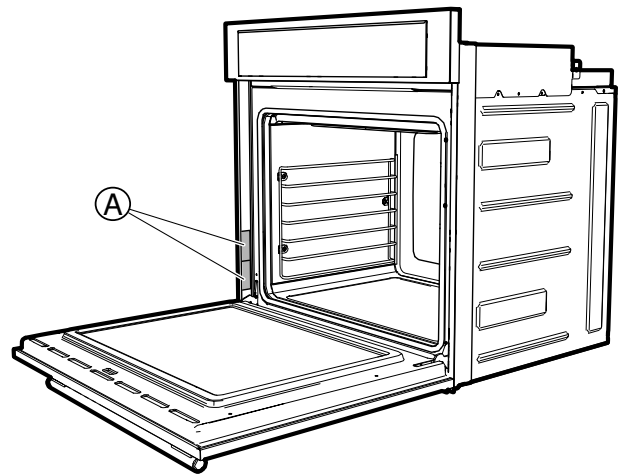
The model number and the FD number of your appliance are found on the rating label. Make a note of these numbers in the space below to save time in the event your appliance requires service.

Model #	FD #
Thermador Customer Support	800-735-4328

Keep your invoice or escrow papers for warranty validation if service is needed.

Single Oven-Bottom Hinge

The rating labels (A) are located on the left hand side of the door trim.



Rating Label Location

A	Rating Label
---	--------------

Model Number and FD Number

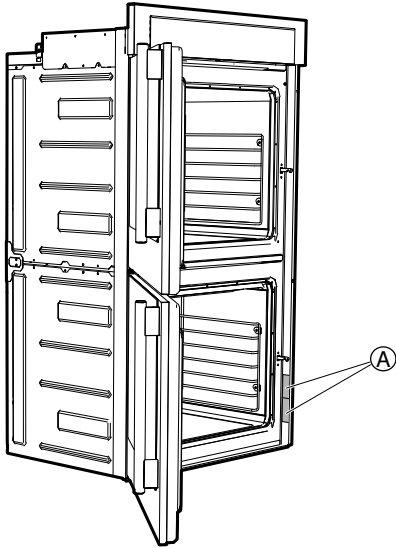
The model number and the FD number of your appliance are found on the rating label. Make a note of these numbers in the space below to save time in the event your appliance requires service.

Model #	FD #
Thermador Customer Support	800-735-4328

Keep your invoice or escrow papers for warranty validation if service is needed.

Double Oven-Side Hinge

The rating labels (A) are opposite the door hinge. For left hinge doors, the rating labels will be on the door trim on the right hand side of the door. For right hinge doors, the rating labels will be on the door trim on the left hand side of the door.



Rating Label Location

A	Rating Label
---	--------------

Model Number and FD Number

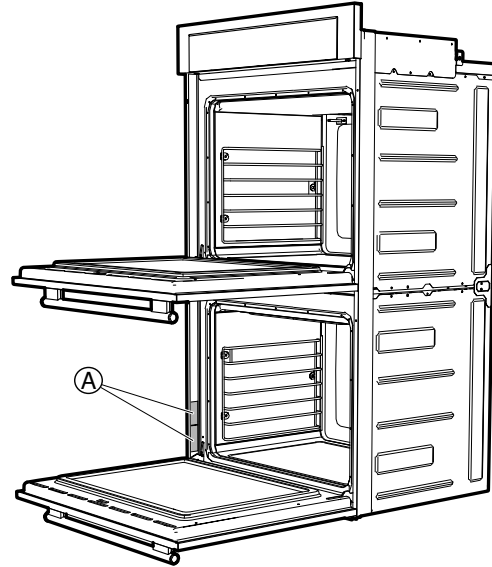
The model number and the FD number of your appliance are found on the rating label. Make a note of these numbers in the space below to save time in the event your appliance requires service.

Model #	FD #
Thermador Customer Support	800-735-4328

Keep your invoice or escrow papers for warranty validation if service is needed.

Double Oven-Bottom Hinge

The rating labels (A) are at the left hand side of the door trim of the lower oven cavity.



Rating Label Location

A	Rating Label
---	--------------

Model Number and FD Number

The model number and the FD number of your appliance are found on the rating label. Make a note of these numbers in the space below to save time in the event your appliance requires service.

Model #	FD #
Thermador Customer Support	800-735-4328

Keep your invoice or escrow papers for warranty validation if service is needed.

Cabinet Requirements

Cabinet materials must be able to withstand the high heat associated with the use of an oven. It is the owner's responsibility to review the suitability of cabinet materials prior to installation and use of the oven.

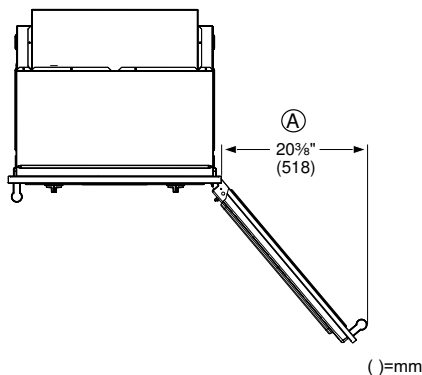
Under oven dimensions are provided as a general guideline and may be adjusted as needed based on a particular application. Consult a design professional for optimizing personal preferences.

Cabinet requirements vary depending on the model to be installed. Please consult the "Appliance and Cabinet Cutout Dimensions" chapter for the details pertaining to your particular model.

All models require:

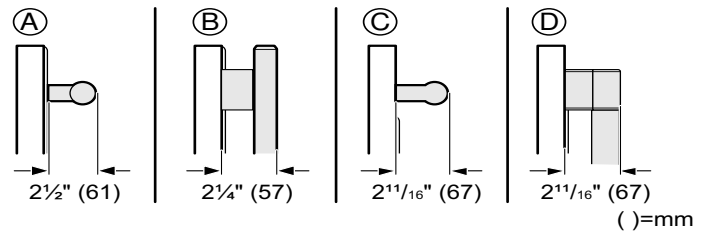
- 1/4" (6.4 mm) space between the side of the oven and an adjacent wall or cabinet door when installed at the end of a cabinet run.
- A 2" diameter hole is required to run conduit to the junction box.
- The junction box must be installed according to the locations specified and can be found in the individual dimension installation instructions found.
- The cabinet base must be flat and capable of supporting the weight of your oven when in use (varies by model up to 429 lbs. (195 kg)). See the appropriate weight for your model in the **NOTICES** area at the beginning of each individual model section.
- Ensure that a recommended 1/4" (6 mm) minimum clearance gap is maintained on either side of the oven door with that of adjacent cabinetry, cabinet doors, walls, etc. to avoid incidental contact with the oven door throughout its entire range of motion.
- Ensure that the cabinet floor structure properly supports the full weight of the oven from underneath. It is recommended that (2) 2x4 runners spanning front to back of the cabinet be installed and be adequately supported within the cabinet. The runners should be spaced apart to the full width of the oven such that they support the left and right edges of the oven base.

Note: When installing a side hinge oven, leave a minimum 10" (254 mm) clearance to allow the door to open.



A	Door Fully Open
---	-----------------

Door Handle Depth



A	Masterpiece Series Handle
B	Masterpiece Series Side Hinge Handle
C	Professional Series Handle
D	Professional Series Side Hinge Handle

Note: Protrusion of handle from outer part of door. Does not include thickness of door.

Appliance and Cabinet Cutout Dimensions

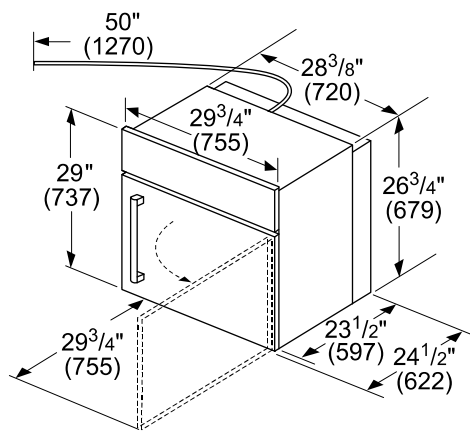
Dimensions for Single Oven Units

NOTICES

- A 2" diameter hole is required to run conduit to the junction box.
- The cabinet base must be flat and capable of supporting a weight of at least 232 lbs (105 kg).
- Under oven dimensions are provided as a general guideline and may be adjusted as needed based on a particular application. Consult a design professional for optimizing personal preferences.

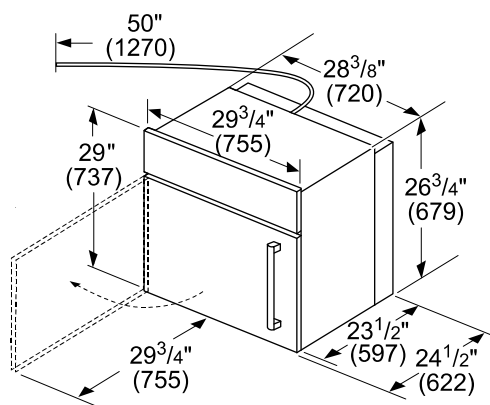
Single Oven Wall Mount Installation

Single Oven Right Hinge



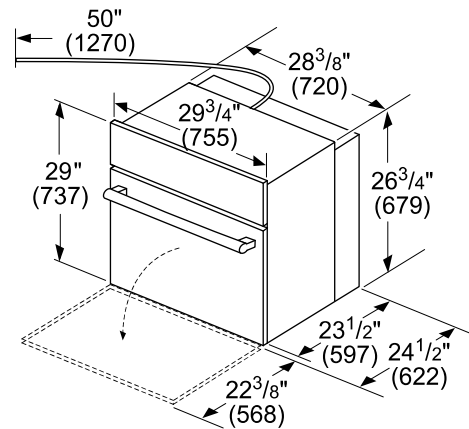
()=mm

Single Oven Left Hinge



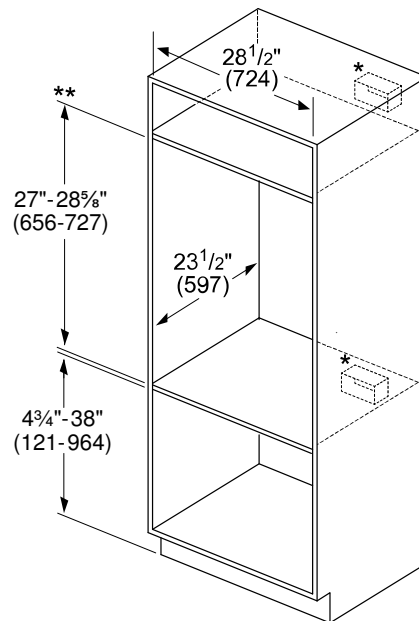
()=mm

Single Oven Bottom Hinge



()=mm

Single Oven Wall Mount Installation



()=mm

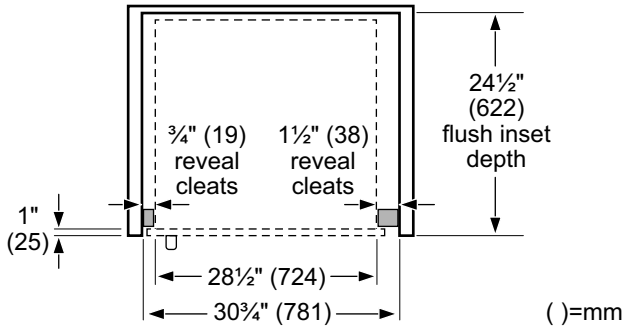
*For single ovens installed into a wall cabinet, the junction box may be located above, beneath, left or right of the unit within reach of the power cord.

**For oven installation in a wall cabinet, the control panel overlap is a minimum 3/8" (10mm) to max. 1 1/4" (25mm).

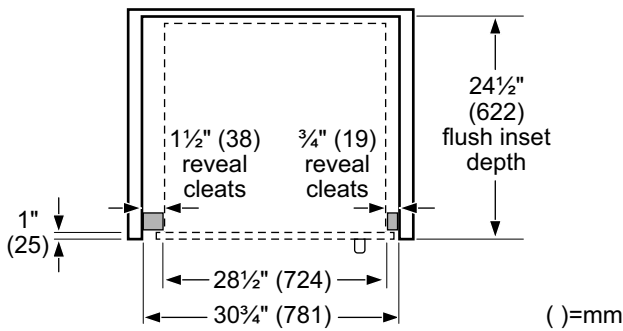
Single Oven Flush Mount Installation

Flush installation requires two side cleats to be attached inside the cabinet frame, recessed from the front.

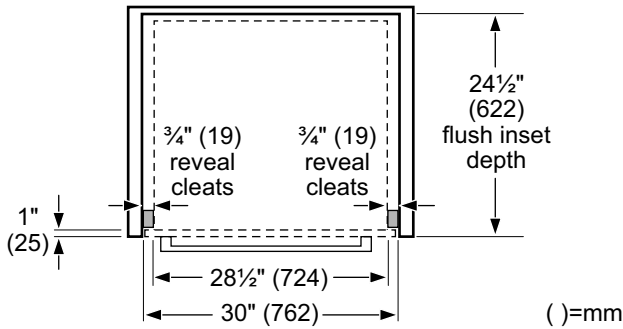
Top View Right Hinge Door



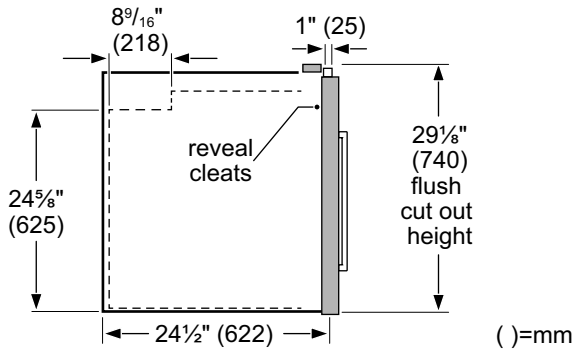
Top View Left Hinge Door



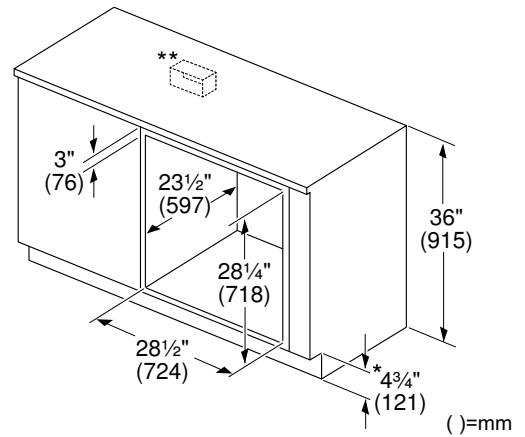
Top View Bottom Hinge Door



Side View-Right Hinge, Left Hinge and Bottom Hinge



Dimensions for Under-Counter Installation



* Includes 3/4" (19 mm) base plate.

**For single ovens installed under a cabinet, the junction box should be located to the right or left of the unit within range of the power cord.

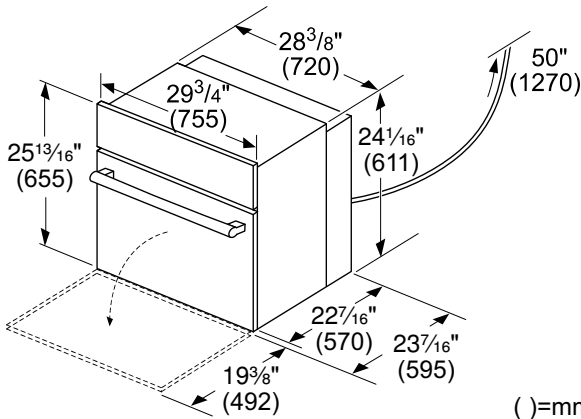
Dimensions for Steam and Convection Oven Units

NOTICES

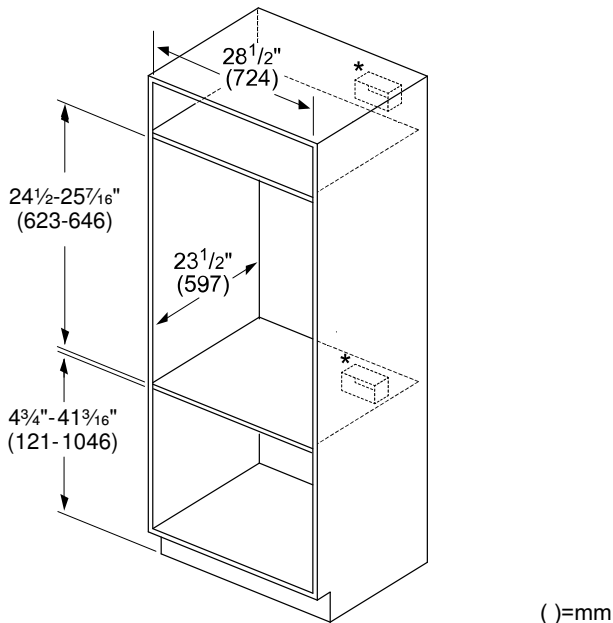
- A 2" diameter hole is required to run conduit to the junction box.
- The cabinet base must be flat and capable of supporting a weight of at least 232 lbs (105 kg).
- Under oven dimensions are provided as a general guideline and may be adjusted as needed based on a particular application. Consult a design professional for optimizing personal preferences.

Steam and Convection Oven Wall Mount Installation

Steam and Convection Oven Bottom Hinge

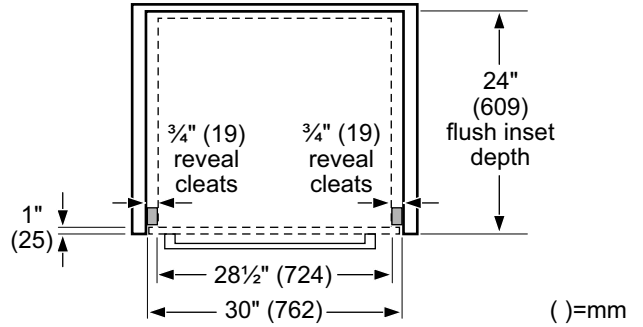


Wall Mount Installation

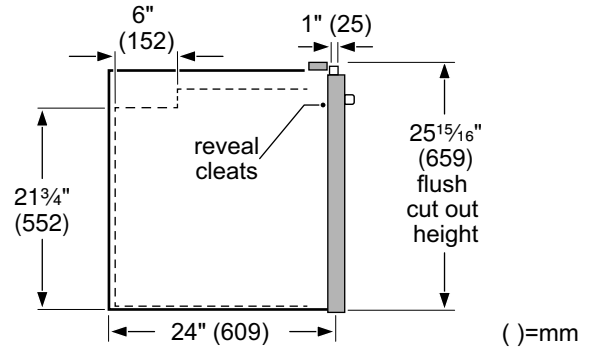


*For single ovens installed into a wall cabinet, the junction box may be located above, beneath, left or right of the unit within range of the power cord.

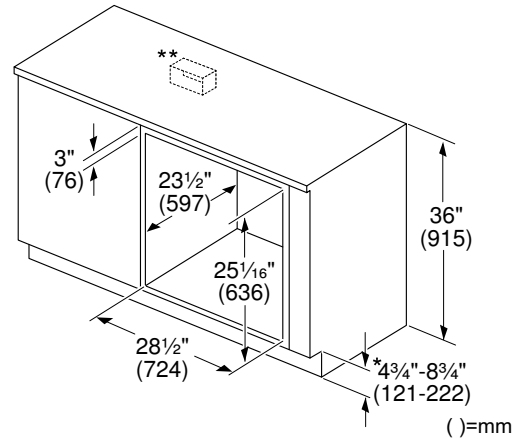
Steam and Convection Oven Flush Mount Installation Top View Bottom Hinge Door



Side View Bottom Hinge



Dimensions for Under Counter Installation



*Includes 3/4" (19 mm) base plate.

**For single ovens installed under a cabinet, the junction box should be located to the right or left of the unit within range of the power cord.

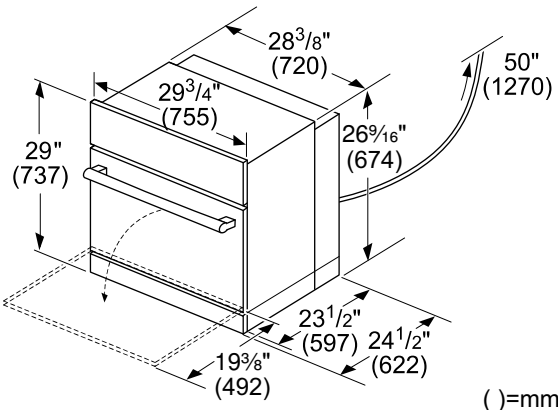
Dimensions for Steam and Convection Oven with Storage Drawer

NOTICES

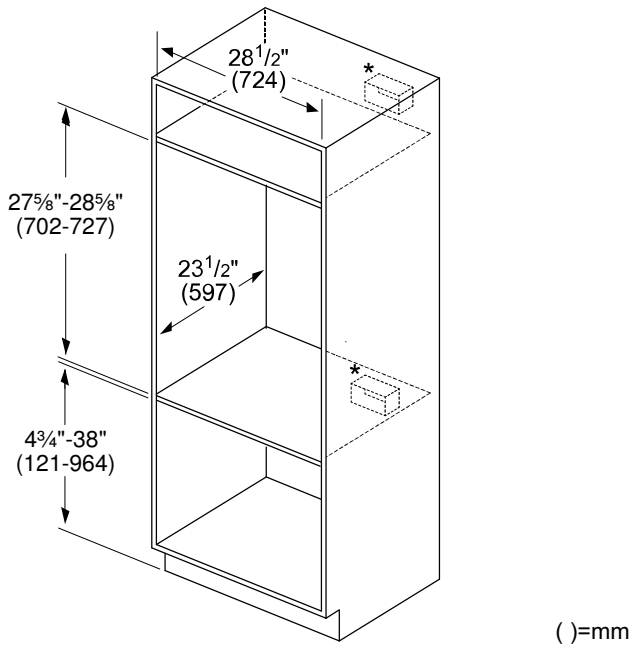
- A 2" diameter hole is required to run conduit to the junction box.
- The cabinet base must be flat and capable of supporting a weight of at least 232 lbs (105 kg).
- Under oven dimensions are provided as a general guideline and may be adjusted as needed based on a particular application. Consult a design professional for optimizing personal preferences.

Steam and Convection Oven with Storage Drawer Wall Mount Installation

Steam and Convection Oven with Storage Drawer



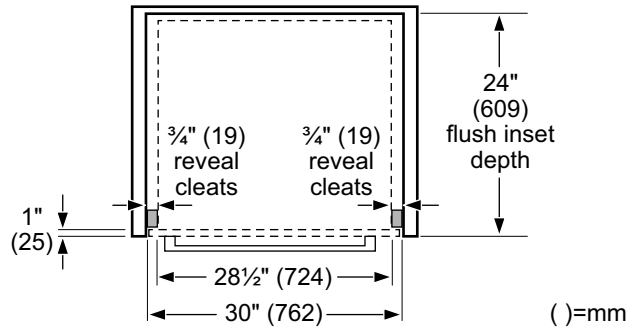
Steam and Convection Oven with Storage Drawer Wall Mount Installation



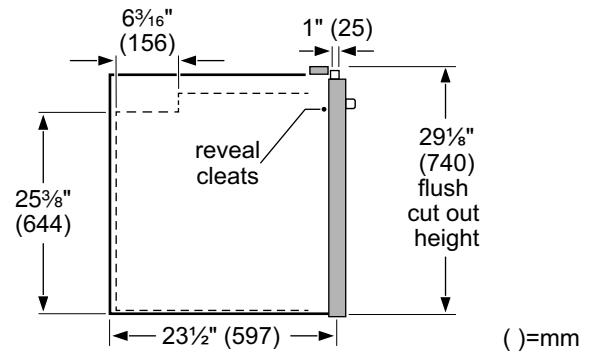
*For single ovens installed into a wall cabinet, the junction box may be located above, beneath, left or right of the unit within range of the power cord.

Steam and Convection Oven with Storage Drawer Flush Mount Installation

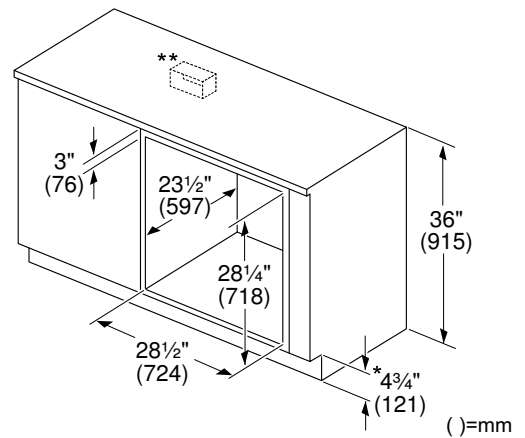
Top View Bottom Hinge Door



Side View- Steam and Convection Oven over Storage Drawer



Steam Oven with Storage Drawer Under-Counter Installation



* Includes 3/4" (19 mm) base plate.

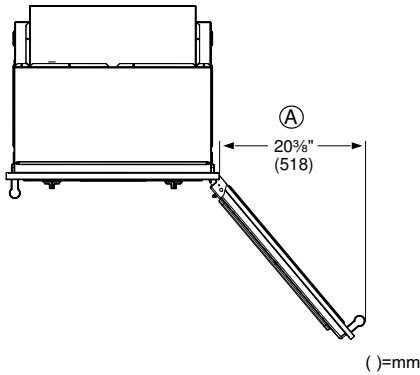
**For single ovens installed under a cabinet, the junction box should be located to the right or left of the unit within range of the power cord.

Dimensions for Double Oven Units

NOTICES

- A 2" diameter hole is required to run conduit to the junction box.
- The cabinet base must be flat and capable of supporting a weight of at least 429 lbs (195 kg).
- Under oven dimensions are provided as a general guideline and may be adjusted as needed based on a particular application. Consult a design professional for optimizing personal preferences.

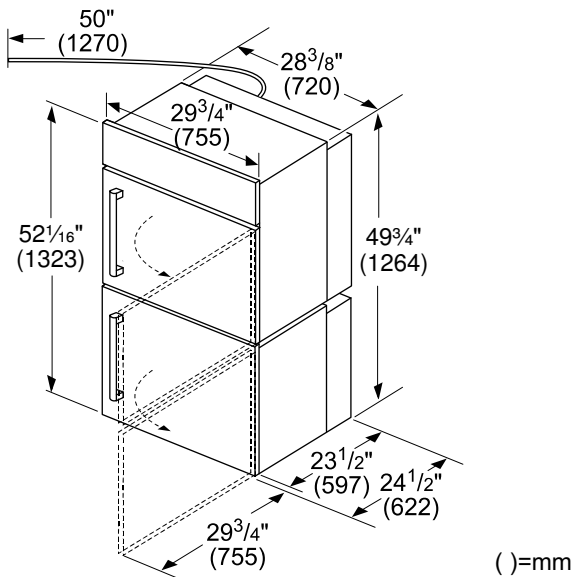
Note: When installing a side hinge oven, leave a minimum 10" (254 mm) clearance to allow the door to open.



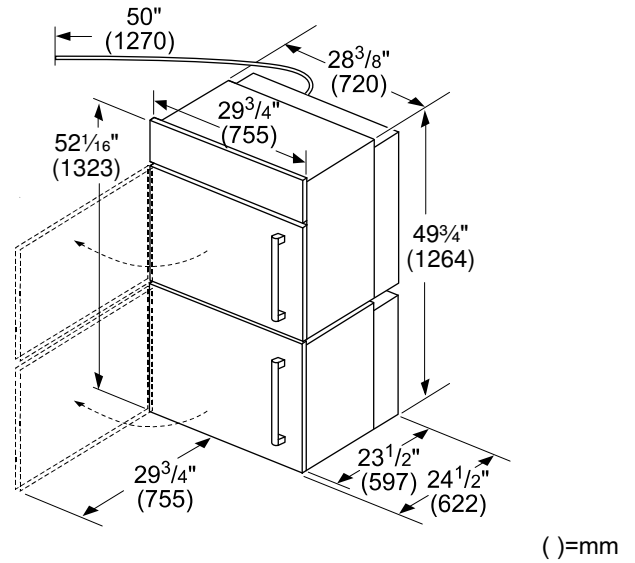
A	Door Fully Open
---	-----------------

Double Oven Wall Mount Installation

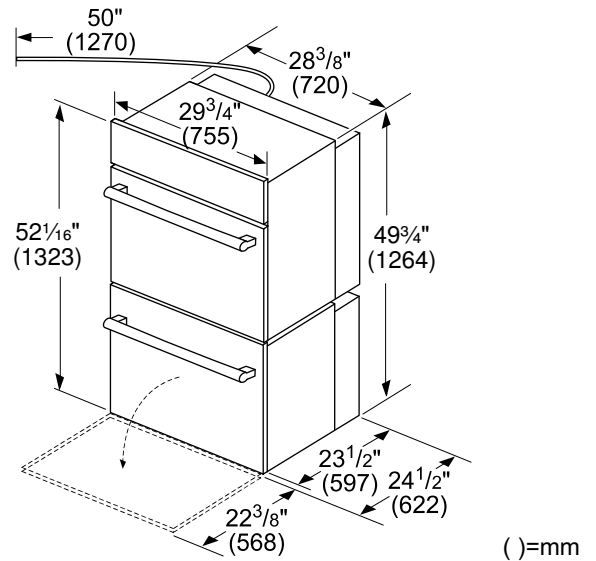
Double Oven Right Hinge



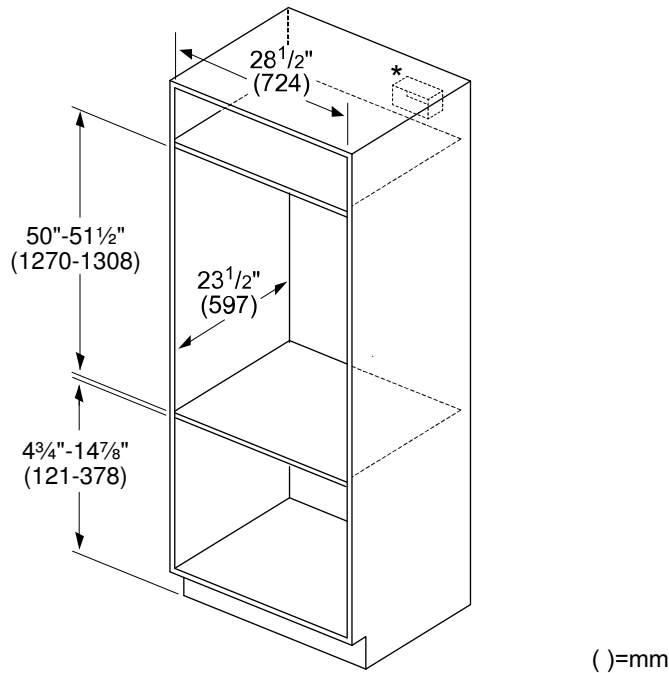
Double Oven Left Hinge



Double Oven Bottom Hinge



Double Oven Wall Mount Installation

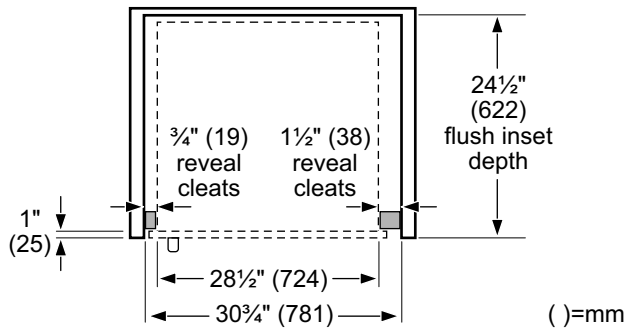


Note: *Junction box may be installed above, right or left of the unit within reach of the power cord.

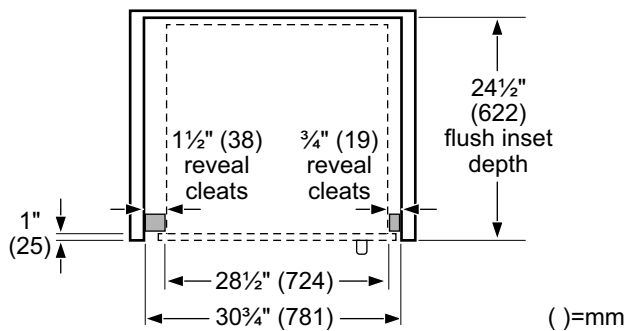
Double Oven Flush Mount Installation

Flush installation requires two side cleats to be attached inside the cabinet frame, recessed from the front.

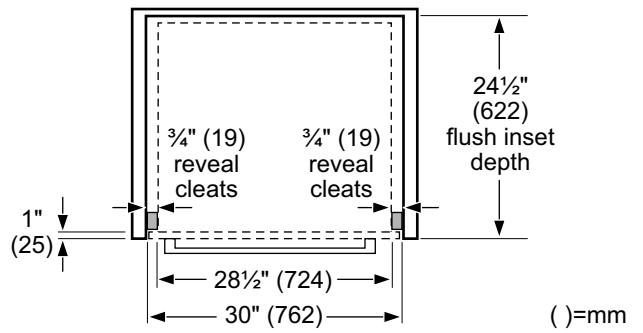
Top View Right Hinge Door



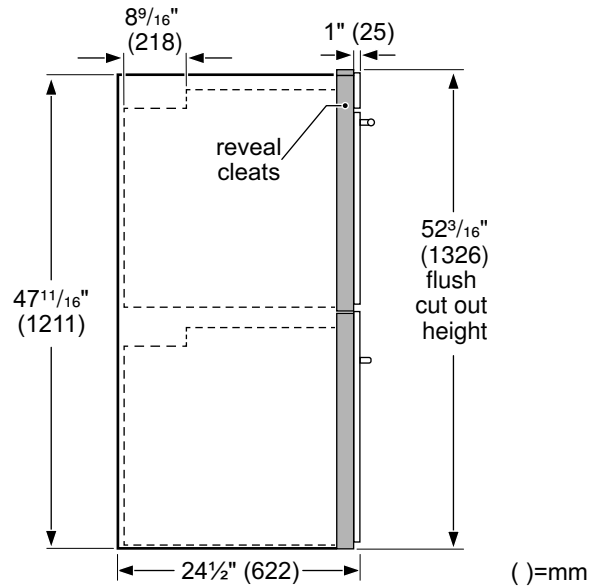
Top View Left Hinge Door



Top View Bottom Hinge Door



Side View-Right Hinge, Left Hinge and Bottom Hinge

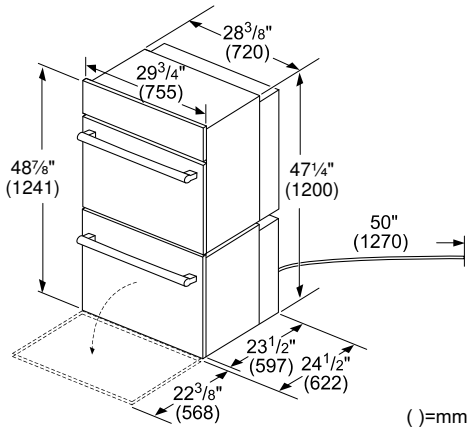


Dimensions for Combination Oven with Steam and Convection Oven Units

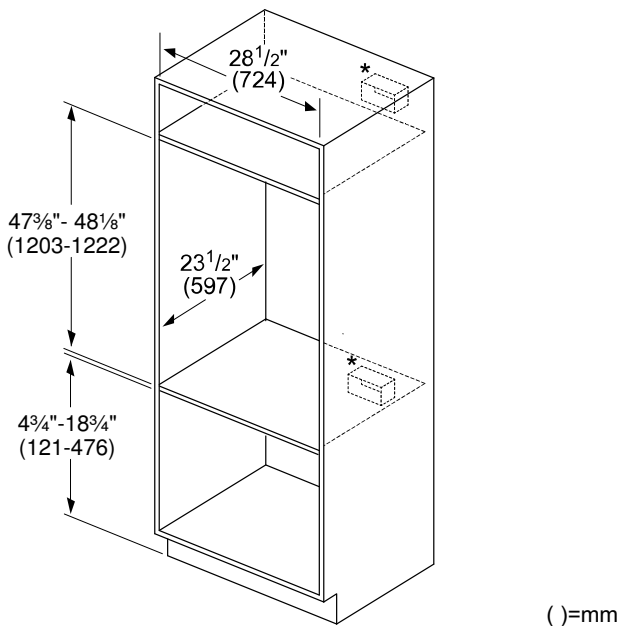
NOTICES

- A 2" diameter hole is required to run conduit to the junction box.
- The cabinet base must be flat and capable of supporting a weight of at least 429 lbs (195 kg).
- Under oven dimensions are provided as a general guideline and may be adjusted as needed based on a particular application. Consult a design professional for optimizing personal preferences.

Combination Oven with Steam and Convection Oven Wall Mount Installation



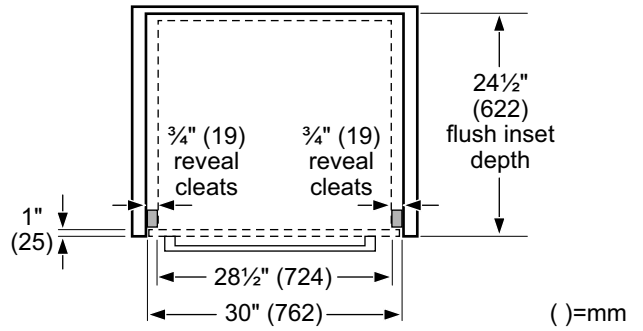
Wall Mount Installation



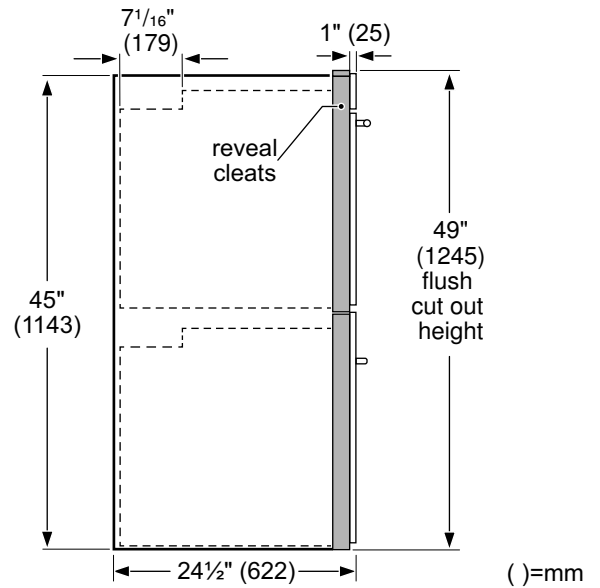
*Junction box may be installed above, beneath, right or left of the unit within range of the power cable.

Combination Oven with Steam and Convection Oven Flush Mount Installation

Top View Bottom Hinge Door



Side View-Combination Oven with Steam and Convection Oven

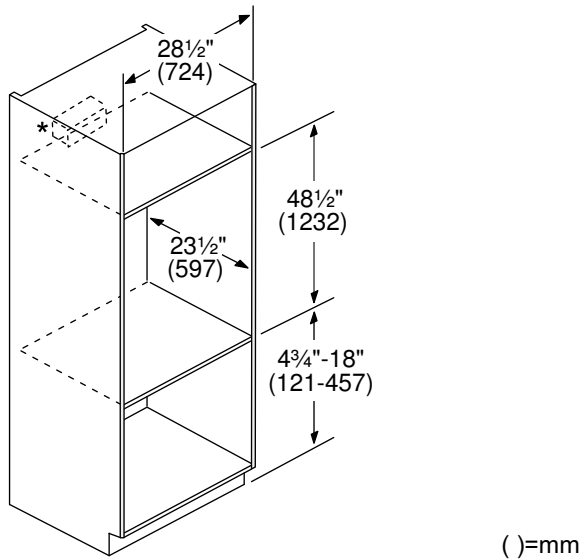
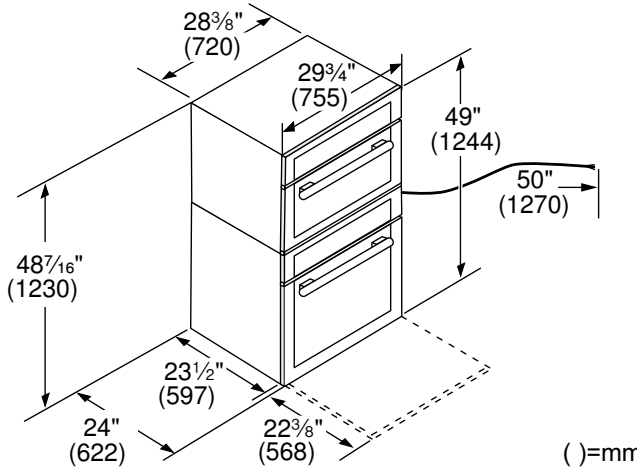


Dimensions for Combination Oven with Microwave or Speed Oven

NOTICES

- A 2" diameter hole is required to run conduit to the junction box.
- The cabinet base must be flat and capable of supporting a weight of at least 322 lbs (146 kg).
- Under oven dimensions are provided as a general guideline and may be adjusted as needed based on a particular application. Consult a design professional for optimizing personal preferences.

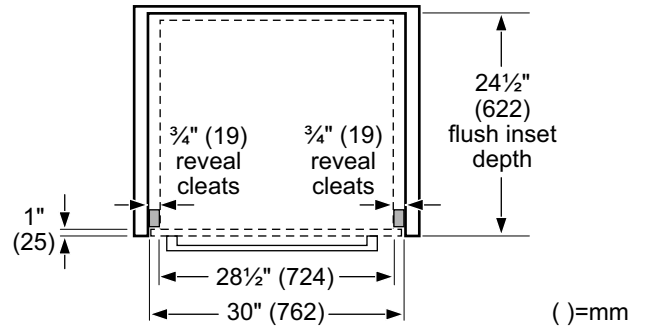
Combination Oven with Microwave or Speed Oven



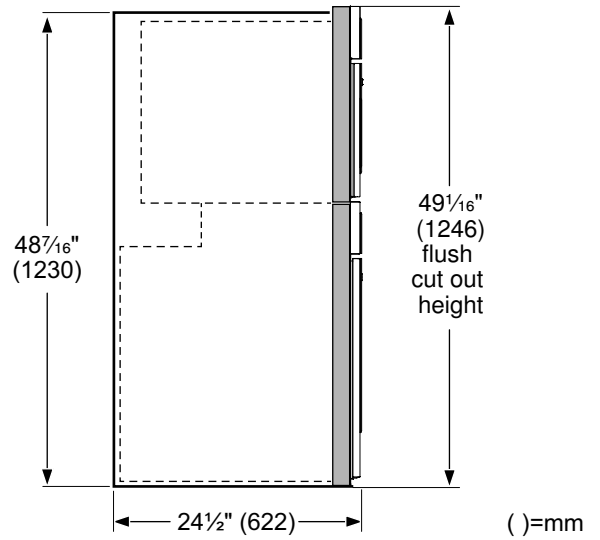
*Junction box may be installed above, beneath, right or left of the unit within range of the power cable.

Combination Oven with Microwave or Speed Oven Flush Mount Installation

Top View Bottom Hinge Door



Side View-Combination Oven with Microwave or Speed Oven

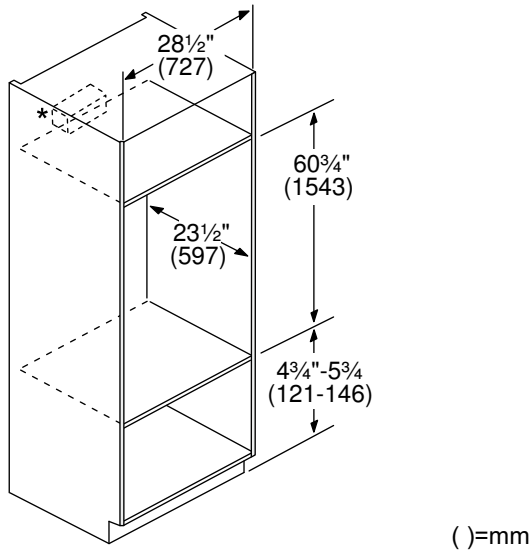
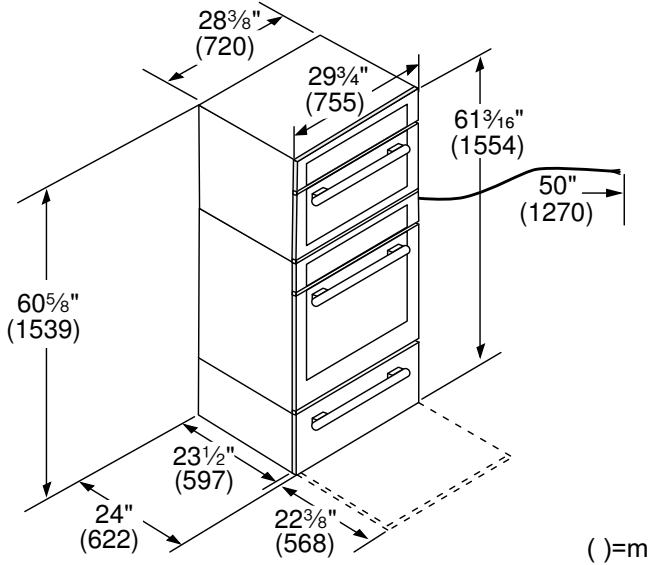


Dimensions for Triple Oven with Speed Oven and Warming Drawer

NOTICES

- A 2" diameter hole is required to run conduit to the junction box.
- The cabinet base must be flat and capable of supporting a weight of at least 429 lbs (195 kg).
- Under oven dimensions are provided as a general guideline and may be adjusted as needed based on a particular application. Consult a design professional for optimizing personal preferences.

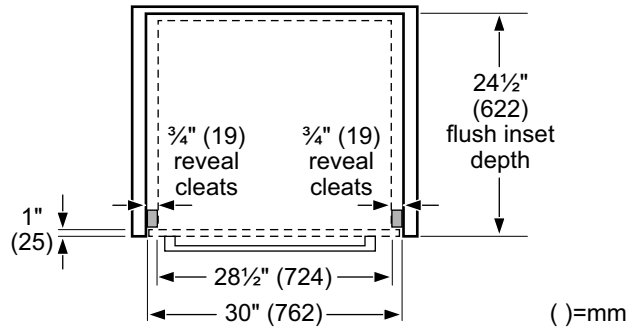
Single Oven with Speed Oven and Warming Drawer



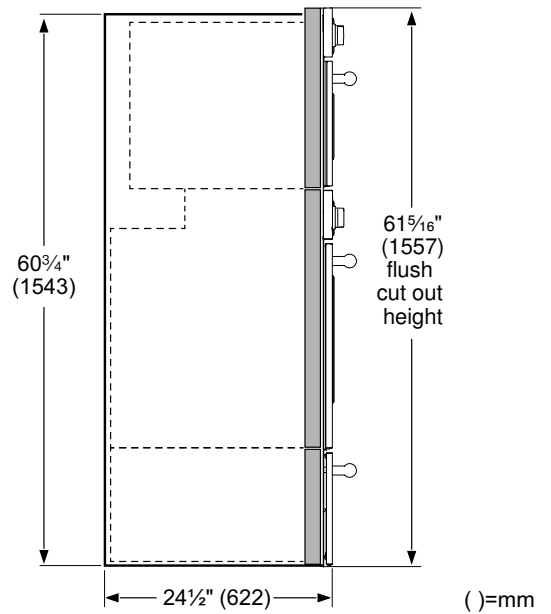
*Junction box may be installed above, right or left of the unit within range of the power cable.

Single Oven with Speed Oven and Warming Drawer Flush Mount Installation

Top View Bottom Hinge Door



Side View-Single Oven with Speed Oven and Warming Drawer



THERMADOR® Support

Service

We realize that you have made a considerable investment in your kitchen. We are dedicated to supporting you and your appliance so that you have many years of creative cooking.

Please do not hesitate to contact our STAR® Customer Support Department if you have any questions or in the unlikely event that your THERMADOR® appliance needs service. Our service team is ready to assist you.

USA

800-735-4328

www.thermador.com/support

Canada

800-735-4328

www.thermador.ca

Parts and Accessories

Parts, filters, descalers, stainless steel cleaners and more can be purchased in the THERMADOR® eShop or by phone.

USA

<http://store.thermador.com/us>

Canada

- If you live in any of the Atlantic provinces, Ontario, or Québec contact:

Marcone

1.800.287.1627

- If you live in any of the Territories, Manitoba, Saskatchewan, Alberta, or British Columbia contact:

Reliable Parts

1.800.663.6060

Table de MATIÈRES

Définitions de sécurité	30	Exigences concernant les armoires	47
IMPORTANTES CONSIGNES DE SÉCURITÉ	31	Profondeur de la poignée de porte	47
Sécurité de manutention des appareils	31	Dimensions de l'appareil et de la découpe des armoires	48
Codes et normes de sécurité	31	Dimensions pour les fours simples	48
Sécurité électrique	31	Dimensions pour un four à vapeur et à convection	49
Sécurité apparentée concernant l'équipement	32	Dimensions pour un four à vapeur et à convection avec tiroir de rangement	50
Avertissement issue de la proposition 65 de l'État de la Californie :	32	Dimensions pour les fours doubles	51
Transport	32	Dimensions pour un four combiné avec four à vapeur et à convection	53
Préparation	33	Dimensions pour un four combiné avec four à micro-ondes ou à micro-ondes à cuisson rapide	55
Numéro de modèles couverts par le présent manuel ..	33	Dimensions pour un four triple avec micro-ondes à cuisson rapide et tiroir-réchaud	56
Avant de commencer	33	Soutien THERMADOR®	57
Liste de vérification de l'installation	34	Dépannage	57
Pour enlever l'emballage	35	Pièces et accessoires	57
Retrait de la bride gauche de l'emballage	35		
Retrait de la bride droite de l'emballage	35		
Installation électrique	35		
Raccordement électrique	36		
Raccordement à quatre fils (privilegié)	36		
Raccordement à trois fils	36		
Raccordement à quatre fils pour four à vapeur	36		
Raccordement à trois fils pour four à vapeur	37		
Installation du four	37		
Pour une installation optimale	37		
Retrait de la porte du four	37		
Mise en place du four dans l'ouverture de l'armoire	40		
Réinstallation des portes de four à charnière inférieure	41		
Alignement des portes de four à charnière latérale	41		
Procédure d'alignement de la porte à charnière latérale	42		
Guide de dépannage la porte à charnière latérale	43		
Opération d'essai	44		
Dépannage	45		
Avant d'appeler le service de réparations	45		
Four simple à charnière latérale	45		
Four simple à charnière inférieure	45		
Four double à charnière latérale	46		
Four double à charnière inférieure	46		

*Cet appareil électroménager
de THERMADOR*

est fait par BSH Home Appliances Ltd.
6696 Financial Drive, Unit 3
Mississauga, ON L5N 7J6

Question ?

1-800-735-4328

www.thermador.ca

Nous attendons de vos nouvelles.

Définitions de sécurité

▲ AVERTISSEMENT

Ceci indique que le non-respect de cet avertissement peut entraîner des blessures graves, voire la mort.

▲ ATTENTION

Ceci indique que le non-respect de cet avertissement peut entraîner des blessures légères ou de gravité moyenne.

AVIS : Ceci indique que la non-conformité à cet avis de sécurité peut entraîner des dégâts matériels ou endommager l'appareil.

Remarque : Ceci vous signale des informations et/ou indications importantes.

IMPORTANTES CONSIGNES DE SÉCURITÉ

LIRE ET CONSERVER CES INSTRUCTIONS

IMPORTANT : CONSERVEZ CES CONSIGNES À L'INTENTION DE L'INSPECTEUR EN ÉLECTRICITÉ.

INSTALLATEUR : PRIÈRE DE LAISSER CES INSTRUCTIONS D'INSTALLATION AVEC CET APPAREIL À L'INTENTION DU PROPRIÉTAIRE.

PROPRIÉTAIRE : PRIÈRE DE CONSERVER CES INSTRUCTIONS POUR POUVOIR VOUS Y RÉFÉRER ULTÉRIEUREMENT.

AVERTISSEMENT

Si l'information de ce guide n'est pas suivie exactement, il peut en résulter un incendie ou un choc électrique causant des dommages à la propriété, des blessures ou la mort.

AVERTISSEMENT

Ne réparez, remplacez, ni ne retirez aucune partie de l'appareil, excepté si les manuels recommandent de le faire. Une installation, un entretien ou une inspection incorrects peuvent occasionner des blessures ou des dommages matériels. Reportez-vous au présent manuel pour obtenir des indications. Toute autre intervention doit être effectuée par un technicien agréé.

Sécurité de manutention des appareils

ATTENTION



- L'appareil est lourd et son déplacement exige au moins deux personnes ou encore un équipement approprié.
- Il est recommandé de faire intervenir trois personnes ou plus pour aider à soulever les fours doubles ou triples afin de les mettre en place.
- Ne pas soulever l'appareil électroménager par la poignée de porte.
- Les surfaces cachées peuvent comporter des arêtes vives. Redoubler de vigilance quand vous passez la main derrière ou sous l'appareil électroménager.

Codes et normes de sécurité

Cet appareil est conforme aux plus récentes versions de l'une ou plus des normes suivantes :

- CAN/CSA C22.2 No. 61 - Cuisinières pour usage ménager (Household Cooking Ranges)
- UL 858 - Cuisinières électriques domestiques (Household Electric Ranges)
- CAN/CSA C22.2 No. 150 - Fours à micro-ondes (Microwave Ovens)
- UL 923 - Appareils de cuisson à micro-ondes (Microwave Cooking Appliances)
- CSA C22.2 No. 64 - Appareils de cuisson domestique et de chauffage des liquides (Household Cooking and Liquid-Heating Appliances)
- UL 1026 - Appareils électriques domestiques pour la cuisson et la préparation des aliments (Electric Household Cooking and Food Serving Appliances)

Il incombe au propriétaire et à l'installateur de déterminer si des exigences et/ou normes additionnelles s'appliquent pour des installations spécifiques.

Sécurité électrique

Avant de brancher le cordon électrique, vérifier que toutes les commandes sont à la position OFF (Arrêt).

S'il y a lieu, conformément au Code national de l'électricité (ou au Code canadien de l'électricité), cet appareil doit être installé sur un circuit de dérivation séparé.

Installateur : indiquez au propriétaire l'emplacement du disjoncteur ou du fusible. Identifiez sa position pour pouvoir le retrouver facilement.

Important : Conservez ces consignes à l'intention de l'inspecteur local en électricité.

Avant l'installation, coupez l'alimentation au panneau de service. Verrouillez le panneau de service pour empêcher que l'alimentation ne soit rétablie par accident.

Consultez la plaque signalétique pour de plus amples renseignements. Consultez la section « Plaque signalétique » dans « Réparation » pour l'emplacement de la plaque signalétique.

Assurez-vous que l'appareil est correctement installé et mis à la terre par un technicien qualifié. L'installation, les raccordements électriques et la mise à la terre doivent être conformes avec tous les codes en vigueur.

⚠ **IMPORTANTES CONSIGNES DE SÉCURITÉ**

LIRE ET CONSERVER CES INSTRUCTIONS

Sécurité apparentée concernant l'équipement

Retirer le ruban adhésif et l'emballage avant d'utiliser l'appareil. Détruire l'emballage après avoir déballé l'appareil. Ne jamais laisser les enfants jouer avec les matériaux de conditionnement.

Ne jamais modifier ni altérer la configuration de l'appareil. Par exemple, ne pas retirer les pieds de nivellement, les panneaux, les couvercles de câblage ou les fixations/vis antibasculement.

Avant d'allumer l'appareil, retirez tout matériel d'emballage ou pellicule adhésive du compartiment de cuisson et de la porte.

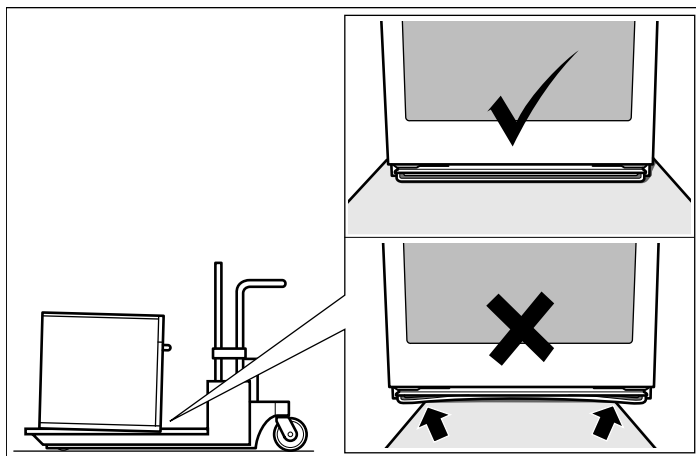
Avertissement issue de la proposition 65 de l'État de la Californie :

AVERTISSEMENT

Ce produit peut vous exposer à des produits chimiques, comme du chlorure de vinyle, reconnus par l'État de la Californie comme causant le cancer, des malformations congénitales ou d'autres effets nocifs sur la reproduction. Pour de plus amples renseignements, consultez www.P65Warnings.ca.gov.

Transport

Pour éviter tout dommage à l'événement du four, utiliser la méthode de transport illustrée ci-dessous.



Préparation

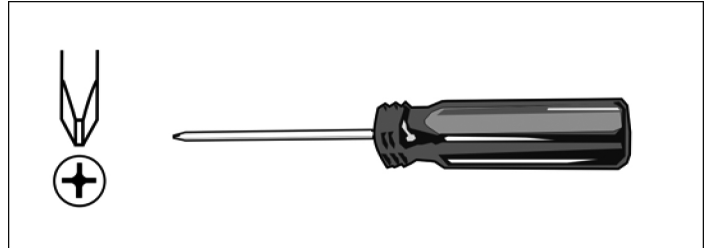
Numéro de modèles couverts par le présent manuel

Modèle	Type	Série
ME301WS	Four simple	Masterpiece
MED301WS	Four simple	Masterpiece
MED301LWS	Four simple	Masterpiece
MED301RWS	Four simple	Masterpiece
PO301W	Four simple	Professional
POD301W	Four simple	Professional
POD301LW	Four simple	Professional
POD301RW	Four simple	Professional
ME302WS	Four double	Masterpiece
MED302WS	Four double	Masterpiece
MED302LWS	Four double	Masterpiece
MED302RWS	Four double	Masterpiece
PO302W	Four double	Professional
POD302W	Four double	Professional
POD302LW	Four double	Professional
POD302RW	Four double	Professional
MEM301WS	Four combiné avec four à micro-ondes	Masterpiece
POM301W	Four combiné avec four à micro-ondes	Professional
MEDMC301WS	Four combiné avec four à micro-ondes à cuisson rapide	Masterpiece
PODMC301W	Four combiné avec four à micro-ondes à cuisson rapide	Professional
MEDMCW31WS	Four triple avec micro-ondes à cuisson rapide et tiroir-réchaud	Masterpiece
PODMCW31W	Four triple avec micro-ondes à cuisson rapide et tiroir-réchaud	Professional
MEDS301WS	Four à vapeur et à convection	Masterpiece
PODS301W	Four à vapeur et à convection	Professional
MEDS302WS	Four combiné avec four à vapeur et à convection	Masterpiece
PODS302W	Four combiné avec four à vapeur et à convection	Professional

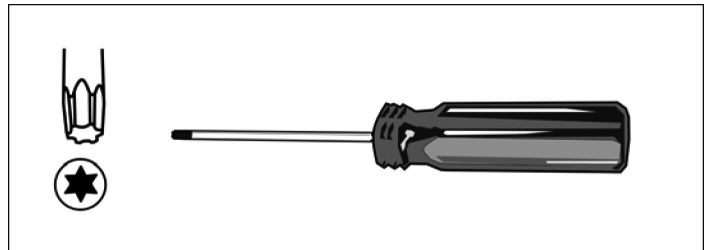
Avant de commencer

Outils et pièces nécessaires

- Tournevis cruciforme #2 (pour installer les vis de la bordure).



- Tournevis cruciforme T20 (pour retirer les vis de l'emballage).



- Mèche de 1/8 po (3,18 mm) et perceuse (pour percer les avant-trous destinés aux vis de la bordure).
- Ruban à mesurer.
- Le port de gants et d'un chandail à manches longues est suggéré (pour protéger les mains et les bras des égratignures).

Pièces comprises

Vis cruciforme (6).

Exigences électriques

La boîte de jonction doit être correctement mise à la terre selon tous les codes applicables.

Liste de vérification de l'installation

Utilisez cette liste de vérification pour vérifier que vous avez terminé chaque étape du processus d'installation. Cela peut vous aider à éviter des erreurs courantes.

Lisez et respectez toujours les instructions d'installation complètes présentées dans ce manuel.

Consultez les instructions détaillées pour chaque étape dans les sections qui suivent cette liste de vérification.

1. Avant d'installer le four, prenez bien soin de vérifier que les dimensions de l'armoire conviennent à l'appareil et que les raccordements électriques requis sont présents. Assurez-vous que le conduit électrique fourni sur l'appareil est en mesure de joindre le point de raccordement.

Section : Exigences sur les dimensions et le caisson

2. Déplacez le four devant l'avant de l'ouverture du caisson.

Section : Retrait de l'emballage

3. Retirez les matériaux d'emballage. Conservez la partie inférieure de l'appareil pour éviter d'endommager le sol.

Section : Retrait de l'emballage

4. Dévissez les vis à tête en étoile (taille T-20) qui maintiennent l'appareil au fond de la boîte.

Section : Retrait de l'emballage

5. Procédez à l'installation électrique.

Section : Installation électrique

6. Retirez la ou les portes du four (uniquement des modèles à charnière inférieure).

Section : Installation du four, « Retrait de la porte du four »

7. L'équipe soulève l'appareil directement dans la découpe du caisson.

Section : Installation du four, « Installation du four dans l'ouverture du caisson »

8. Faites glisser l'unité complètement pour la mettre en place.

Section : Installation du four, « Installation du four dans l'ouverture du caisson »

9. Fixez le four à l'ouverture de l'armoire à l'aide des vis fournies.

Section : Installation du four, « Installation du four dans l'ouverture du caisson »

10. Remettez en place la ou les portes du four.

Section : Installation du four, « Installation du four dans l'ouverture du caisson »

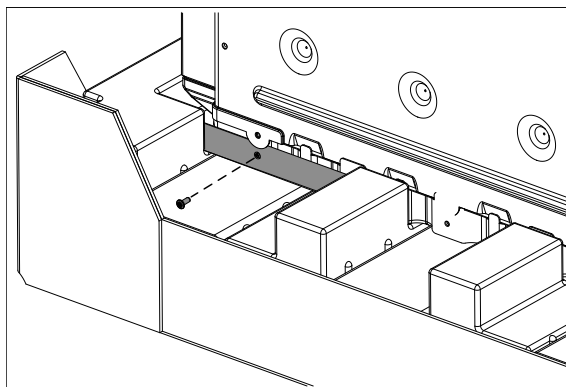
Pour enlever l'emballage

AVIS : Pour éviter d'endommager le plancher, laissez l'unité dans la portion inférieure de l'emballage jusqu'au moment de le placer dans l'ouverture de l'armoire. Ne pas faire glisser l'unité sur le plancher.

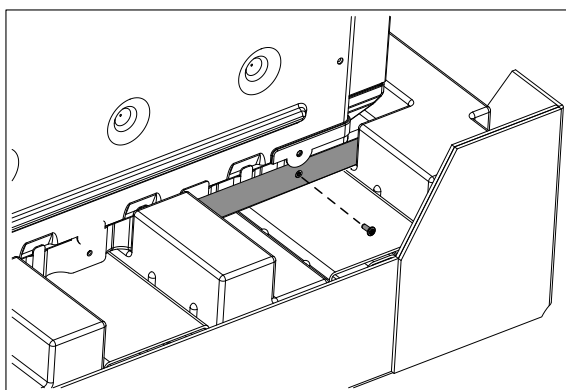
Différents modèles utilisent des matériaux d'emballage différents. Les équerres de fixation, ou brides, peuvent être différentes. La bride reste dans le socle d'emballage.

1. Coupez les sangles sur l'extérieur de la boîte.
2. Retirez la boîte en carton.
3. Retirez tous les panneaux de carton ainsi que la protection de mousse et le bois placés sur le dessus et les côtés.
4. Placez le four (en le laissant sur le socle de transport) devant l'armoire où il doit être installé.
5. Retirez tous les accessoires, les grilles, le matériel d'emballage et la documentation de la cavité du four. Vérifiez le contenu des deux cavités avec un four double.
6. Dévissez les brides d'emballage, tel qu'illustré. Toutes les vis situées près du support de fixation du socle sont de dimension T-20. Il suffit de dévisser la vis qui passe par le trou allongé dans le support de fixation du côté droit et gauche de l'appareil pour le soulever hors du socle de montage.

Retrait de la bride gauche de l'emballage



Retrait de la bride droite de l'emballage



Installation électrique

Tous les modèles de four mentionnés sur la couverture avant du guide d'installation sont à double intensité et désignés pour le branchement sur un réseau électrique monophasé à 4 fils de 208/240 V c.a., 60 Hz.

Modèle	Circuit requis	Watts à 240 V	Circuit requis	Watts à 208 V
MEDS301WS PODS301W	20 A	4100	20 A	3500
ME301WS MED301LWS MED301RWS MED301WS POD301W POD301LW POD301RW POD301W	30 A	6400	30 A	4800
ME302WS PO302W MEDS302WS PODS302W	40 A	9200	40 A	7000

Modèle	Circuit requis	Watts à 240 V	Circuit requis	Watts à 208 V
MED302WS MED302LWS MED302RWS POD302W POD302LW POD302RW	40 A	9600	40 A	7500
MEDMC301WS MEDMCW31WS- MEM301WS PODMC301W PODMCW31W POM301W	50 A	10200	40 A	8300

L'alimentation électrique doit être un courant alternatif monophasé à 4 fils. Installez une boîte de dérivation appropriée (non fournie). Un raccord de conduit homologué UL de calibre approprié doit être utilisé pour fixer correctement le conduit à la boîte de jonction.

Remarque : Les codes locaux peuvent varier; l'installation, les raccordements électriques et la mise à la terre doivent se conformer à tous les codes locaux en vigueur.

Si les codes locaux autorisent la mise à la terre au moyen d'un point neutre d'alimentation électrique, raccordez à la fois le fil neutre blanc et le fil de terre dénudé du four au fil d'alimentation électrique neutre blanc.

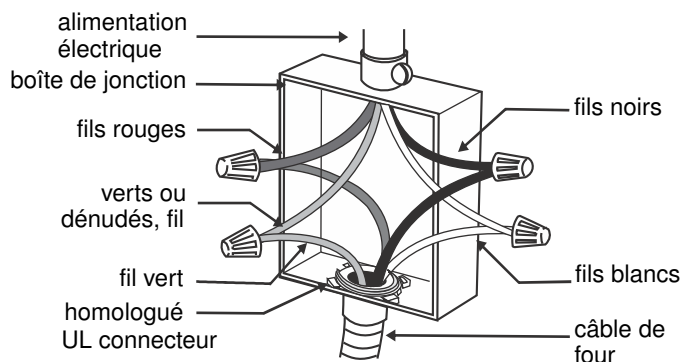
Raccordement électrique

La connexion de circuit terminal à 4 fils est recommandée, mais là où les codes le permettent, la connexion à 3 fils est acceptable.

▲ AVERTISSEMENT

Pour un raccordement à une source d'alimentation triphasée de 120/208 V à 4 ou 5 fils, le conducteur de phase C n'est pas requis pour faire fonctionner l'appareil.

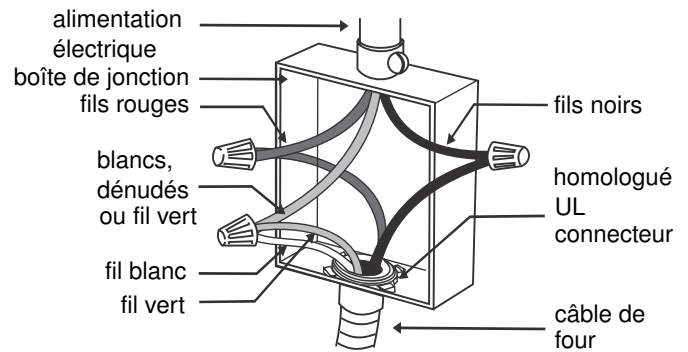
Raccordement à quatre fils (privilégié)



- Raccordez le fil rouge du four au fil d'alimentation électrique rouge (fil sous tension).
- Raccordez le fil noir du four au fil d'alimentation électrique noir (fil sous tension).
- Raccordez le fil neutre blanc du four au fil d'alimentation électrique neutre blanc (pas au fil de mise à la terre dénudé ou vert).
- Raccordez le fil de mise à la terre vert du four au fil de mise à la terre dénudé ou vert de l'alimentation électrique.

Raccordement à trois fils

Neutre mis à la terre

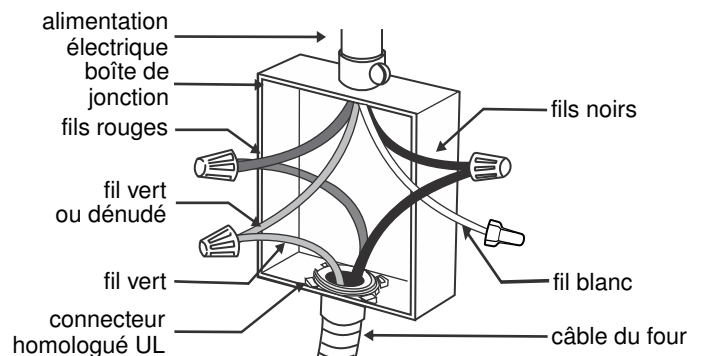


- Raccordez le fil rouge du four au fil rouge dans la boîte de raccordement.
- Raccordez le fil noir du four au fil noir dans la boîte de raccordement.
- Branchez le fil vert de mise à la terre et le fil blanc du four au fil blanc, vert ou dénudé mis à la terre dans la boîte de raccordement.

Le câble de raccordement, au niveau du four, pivote. Faites pivoter le câble de raccordement vers le haut (ou vers le bas) et faites passer celui-ci à travers le trou préparé dans l'armoire pour le fixer à la boîte de raccordement.

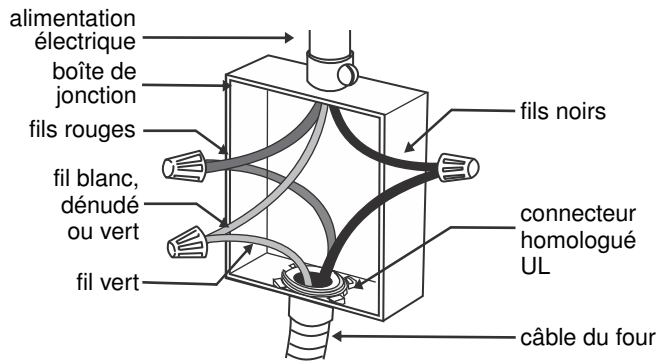
Pour faciliter l'entretien, le conduit flexible ne doit pas être raccourci et doit être acheminé de manière à faciliter le déplacement provisoire du four.

Raccordement à quatre fils pour four à vapeur



- Raccordez le fil rouge du four au fil d'alimentation électrique rouge (fil sous tension).
- Raccordez le fil noir du four au fil d'alimentation électrique noir (fil sous tension).
- Raccordez le fil de mise à la terre vert du four au fil de mise à la terre dénudé ou vert de l'alimentation électrique.
- Pour l'opération du four, un raccordement à un fil neutre (fil blanc) n'est pas essentiel.

Raccordement à trois fils pour four à vapeur



- Raccordez le fil rouge du four au fil rouge dans la boîte de jonction.
- Raccordez le fil noir du four au fil noir dans la boîte de jonction.
- Raccordez le fil vert de mise à la terre du four au fil blanc, vert ou dénudé neutre de la boîte de jonction.

Le câble posé en conduite, quand raccordé au four, pivote. Faites pivoter le câble posé en conduite vers le haut (ou le bas) et faites passer celui-ci à travers le trou préparé dans l'armoire pour le fixer à la boîte de jonction. Pour faciliter l'entretien, le conduit flexible ne doit pas être raccourci et doit être acheminé de manière à faciliter le déplacement provisoire du four.

Installation du four

AVIS : Avant d'installer l'appareil, prendre soin de vérifier la dimension du coffret et les raccordements électriques.

Pour une installation optimale

Deux personnes peuvent avoir de la difficulté à manipuler le four pendant l'installation. Il est recommandé qu'au moins trois personnes soulèvent l'unité pour la mettre en place.

Le retrait de la porte pendant l'installation (pour avoir une meilleure prise et réduire considérablement le poids de l'unité) peut poser problème à moins de suivre attentivement les consignes détaillées à cet effet. Pour faciliter l'installation, veuillez prendre le temps de lire les consignes et suivez-les rigoureusement.

Retrait de la porte du four

Remarque : Seules les portes à charnières inférieures peuvent être enlevées. Ne pas enlever les portes de four à charnière latérale ou à convection vapeur.

▲ ATTENTION

AU RETRAIT DE LA PORTE DU FOUR :

- La porte du four est lourde et fragile. L'enlever à deux mains. Le devant de la porte comporte des éléments en verre. Manipuler avec précaution pour éviter les cassures.
- Saisir uniquement les côtés de la porte du four. Ne pas saisir la poignée, car elle peut pivoter dans la main et causer des dommages ou des blessures.
- Si la porte du four n'est pas saisie fermement et correctement, il y a un risque de blessure ou de dommage à l'appareil.
- Pour éviter toute blessure causée par l'enclenchement soudain du support de charnière, s'assurer que les deux leviers de verrouillage sont bien enclenchés avant d'enlever la porte. En outre, ne pas forcer l'ouverture ou la fermeture de la porte du four, car la charnière risque de s'abîmer et de causer des blessures.
- Ne pas déposer la porte sur des objets acérés ou pointus, car ils risquent de briser la vitre. Poser la porte sur une surface plane et lisse afin qu'elle ne risque pas de tomber.

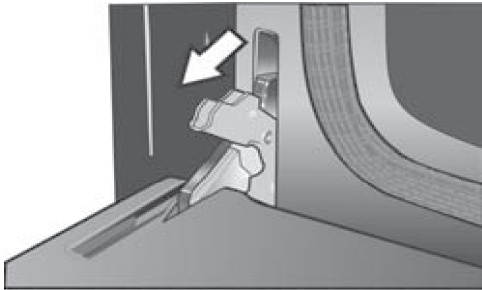
Retirez la porte du four inférieur avant l'installation

Remarque : Ne pas tenter d'enlever les portes du four à micro-ondes, du four à micro-ondes à cuisson rapide ou du four à vapeur et à convection, ni les charnières latérales.

Il est recommandé de retirer la porte du four traditionnel (inférieur) pour réduire le poids de l'appareil et fournir un meilleur accès aux leviers de fermeture situés à l'intérieur du four.

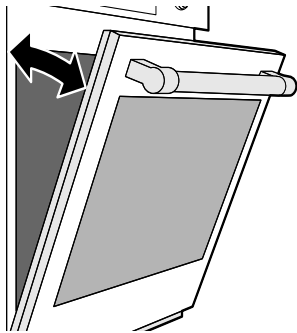
Remarque : S'assurer de lire tous les avertissements et toutes les précautions figurant dans le manuel d'installation concernant le retrait de la porte avant toute tentative de retirer la porte.

1. Ouvrir complètement la porte du four jusqu'à ce qu'elle soit entièrement à l'horizontale.
2. Basculer complètement les leviers de fermeture des charnières vers soi.

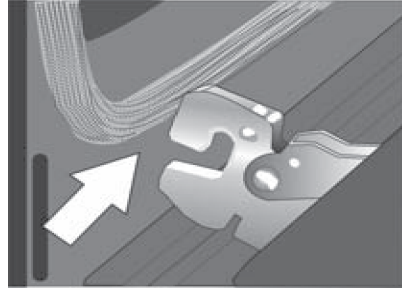


Remarque : Il est parfois nécessaire d'utiliser un outil, tel un tournevis, pour forcer délicatement la partie supérieure du levier pour dégager celui-ci du bâti. Faire attention à ne pas rayer le bâti.

3. Fermer la porte du four jusqu'à ce qu'elle s'accroche sur les leviers d'arrêt des charnières, verrouillant ainsi les charnières au bon angle pour le démontage de la porte. La porte sera ouverte d'environ 7 po (17,8 cm) sur la partie supérieure. Cela a pour effet d'éliminer la tension des ressorts exercée sur les charnières, ce qui permet de soulever aisément la porte.



4. Soulever soigneusement la porte pour la sortir des fentes des charnières. La maintenir fermement; la porte est lourde. Saisir la porte fermement à deux mains en la prenant par les côtés. Ne pas saisir la porte par la poignée. Tout en maintenant l'angle de la porte, soulever la porte à la verticale d'environ 3/4 po (19 mm) pour dégager les charnières de leur logement, puis la tirer vers soi jusqu'à ce que les charnières soient dégagées du bâti du four.



5. Placer la porte sur une surface facilement accessible et stable jusqu'à ce que vous soyez prêt(e) à la remettre en place. Poser la porte sur une serviette ou une section de rembourrage de protection en mousse pour éviter d'endommager la porte ou le sol.



Soulèvement approprié du four

▲ ATTENTION

Porter des gants et des manches longues pour protéger les mains et les avant-bras contre les écorchures, les éraflures ou les coupures pouvant survenir pendant l'opération de soulèvement de l'appareil. Enlever montres et bijoux et porter des chaussures de travail pour se protéger les pieds.

▲ ATTENTION

Trois personnes ou l'équipement approprié sont requis pour soulever de façon sécuritaire le four combiné dans l'ouverture de l'armoire.

AVIS : NE PAS tenter de soulever l'appareil par l'élément supérieur du four.

Recommandations concernant le soulèvement

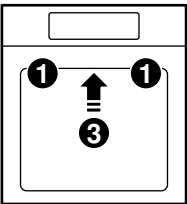
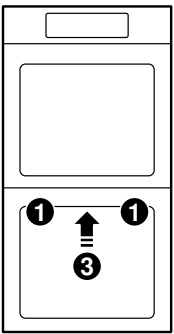
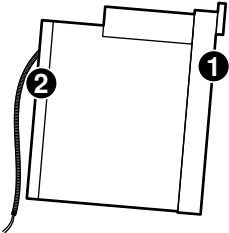
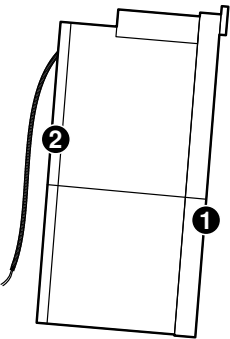
Il existe un rebord en travers de la partie supérieure avant de la cavité du four. Soulevez l'appareil en saisissant ce rebord d'une main après avoir placé l'autre main à l'arrière de l'appareil (pour les personnes qui aident en soulevant simultanément les côtés de l'appareil). Si une troisième personne soulève l'appareil par le devant, elle devra se servir des deux mains pour saisir l'appareil à l'endroit où se trouve ce rebord.

Emplacements des points de soulèvements pour porte à charnière inférieure

Remarque : Il est recommandé de retirer la porte pour réduire le poids de l'appareil et fournir un meilleur accès aux prises situées à l'intérieur du four.

Soulever le four sans la porte selon les lignes directrices ci-dessous.

- Les points de soulèvement (1) à l'avant de l'appareil sont utilisés pour le soulèvement depuis les côtés de l'appareil. Le point de soulèvement (3) à l'avant de l'appareil est utilisé par une troisième personne à laquelle on a recours pour soulever l'appareil.
- Le point de soulèvement (2) à l'arrière de l'appareil indique l'emplacement de la main opposée pour les personnes qui aident à soulever l'appareil depuis les côtés. Ajuster l'emplacement au besoin pour faciliter l'opération de soulèvement de l'appareil.

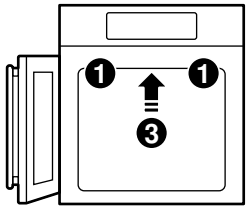
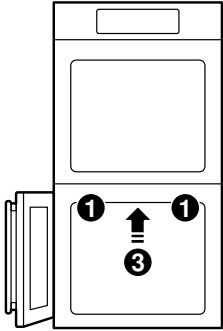
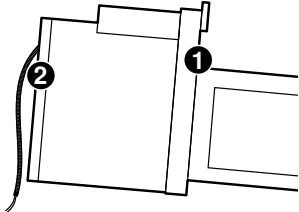
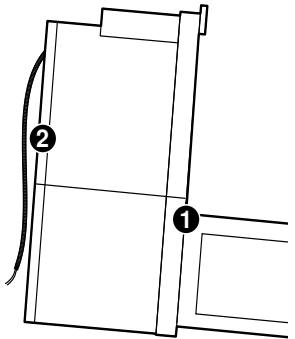
Four simple à charnière inférieure	Four double à charnière inférieure
	
	

Emplacements des points de soulèvements pour porte à charnière latérale

Remarque : Ne pas essayer d'enlever la porte à charnière latérale. L'emplacement des points de soulèvement sont décrits avec la porte ouverte de 90 à 110 degrés.

Soulever le four avec la porte ouverte de 90 à 100 degrés selon les lignes directrices ci-dessous :

- Les points de soulèvement (1) à l'avant de l'appareil sont utilisés pour le soulèvement depuis les côtés de l'appareil. Le point de soulèvement (3) à l'avant de l'appareil est utilisé par une troisième personne à laquelle on a recours pour soulever l'appareil.
- Le point de soulèvement (2) à l'arrière de l'appareil indique l'emplacement de la main opposée pour les personnes qui aident à soulever l'appareil depuis les côtés. Ajuster l'emplacement au besoin pour faciliter l'opération de soulèvement de l'appareil.

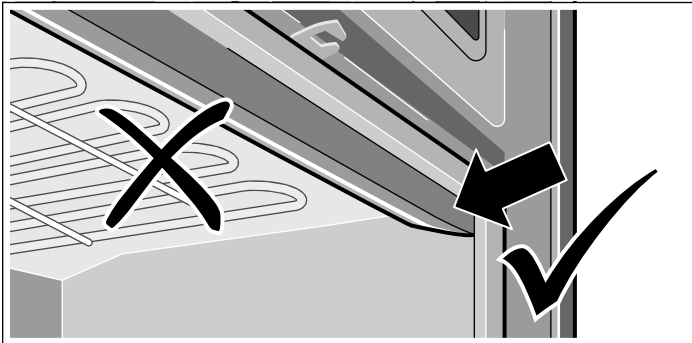
Four simple à charnière latérale	Four double à charnière latérale
	
	

Mise en place du four dans l'ouverture de l'armoire

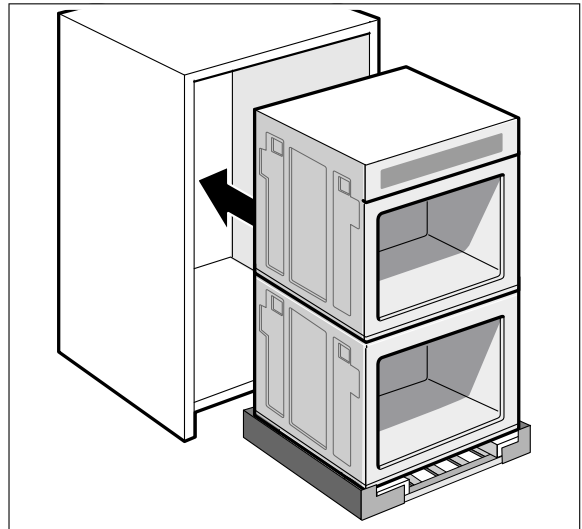
⚠ ATTENTION

- Pour éviter d'endommager le plancher, laissez l'unité dans la partie inférieure de l'emballage jusqu'au moment de la placer dans l'ouverture de l'armoire. Empêchez la base en métal de l'unité d'entrer en contact avec le plancher. Consultez les consignes de manutention pour plus de détails.
- Pour ne pas endommager la porte (et/ou le tiroir-réchaud du devant pour les unités combinées), évitez de soulever, tirer ou pousser l'unité par la poignée de la porte du four ou la poignée du tiroir-réchaud pendant l'installation.
- Il est recommandé de porter des gants et un chandail à manches longues pour protéger les mains et les avant-bras des écorchures et des égratignures qui peuvent survenir en soulevant l'unité. Il vaut mieux enlever les montres et les bijoux et porter des souliers de travail au cours de l'installation pour protéger vos pieds.

En soulevant l'appareil pour le mettre en place, éviter de saisir l'élément supérieur pour éviter de l'abîmer. Voir l'illustration suivante pour connaître le point de soulèvement approprié.



1. L'appareil et la partie inférieure de l'emballage (palette) doivent être positionnés près de l'armoire et devant son ouverture avant de commencer à soulever l'appareil pour le mettre en place.



2. Soulevez ou glissez l'appareil dans l'ouverture de l'armoire en empêchant le socle d'entrer en contact avec le sol.
3. Guidez l'appareil directement vers l'arrière dans l'ouverture de l'armoire. Poussez l'appareil tout droit jusqu'à ce que la garniture du four soit à 2 po (5 cm) avant d'affleurer avec la paroi de l'armoire. Faites attention de ne pas pincer le conduit flexible entre le four et la paroi arrière de l'armoire. Si nécessaire, guidez le conduit flexible dans le trou d'accès de la paroi ou de l'armoire en veillant à ce qu'il ne fasse pas obstacle à l'encastrement complet de l'appareil à l'intérieur de l'armoire. Le four doit être droit et de niveau, sans inclinaison.
4. Encastrez l'appareil jusqu'au fond de l'ouverture de l'armoire. L'avant de l'appareil doit affleurer avec la face avant de l'armoire.
5. Insérez les vis fournies dans les trous taraudés de la garniture (2 vis pour les fours simples et 4 vis pour les fours doubles ou combinés). On recommande de percer des avant-trous pour les vis de la garniture.

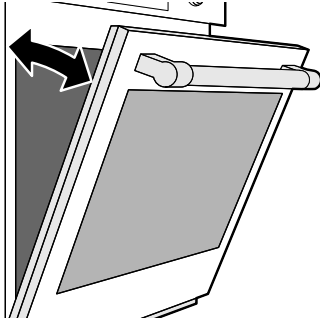
Pour assurer le bon fonctionnement de la porte et du four, les vis doivent être insérées sur le devant de la garniture latérale pour les portes traditionnelles à charnière inférieure et sur le côté de la garniture latérale pour les portes à charnière latérale.

6. Réinstallation de la ou des portes du four selon les directives suivantes.

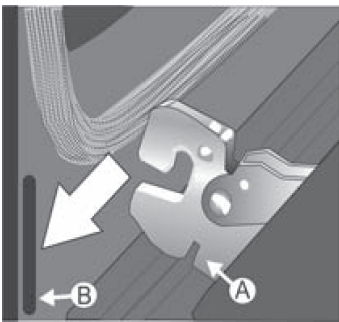
Réinstallation des portes de four à charnière inférieure

Pour réinstaller la porte du four :

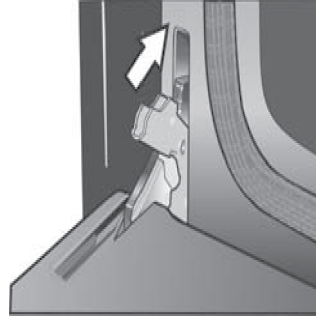
1. En tenant fermement la porte des deux mains, la saisir de chaque côté. **Ne pas saisir la porte par la poignée.**
2. Incliner légèrement la porte vers soi, jusqu'à ce que sa partie supérieure s'ouvre d'environ 7 po (18 cm).



3. Glisser les charnières dans leurs logements jusqu'en butée, puis baisser la porte en ligne droite. L'angle de la porte peut nécessiter un léger ajustement pour permettre d'engager les charnières convenablement et d'abaisser la porte en place. La porte devrait s'abaisser d'environ 3/4 po (19 mm) et s'arrêter. Si ce n'est pas le cas, les charnières ne sont pas convenablement engagées et la porte pourrait tomber si elle est relâchée.
4. Ouvrir entièrement la porte du four sur 90 degrés. Si elle ne s'abaisse pas au complet à 90 degrés, les charnières seraient éventuellement mal insérées. La porte doit être droite et non de travers.



5. Pousser les loquets à levier sur les deux charnières vers le haut et l'avant, jusqu'à ce qu'ils s'enclenchent dans logements, affleurant à l'avant du four.



6. Fermer la porte délicatement. Elle devrait bien se fermer. Fermer et ouvrir délicatement la porte du four à plusieurs reprises pour s'assurer qu'elle est correctement et solidement installée.

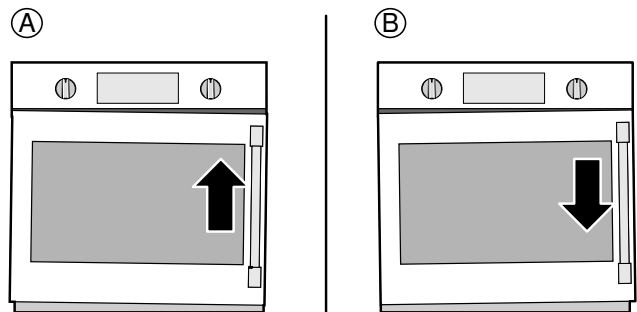
Alignement des portes de four à charnière latérale

Remarque : Aligner les portes de four à charnière latérale uniquement après son installation permanente dans le caisson de l'armoire.

Conseil : L'espace entre le haut de la porte du four fermée et le panneau de commande (ou de la porte supérieure pour la cavité inférieure d'un four double) doit être uniforme d'un bout à l'autre.

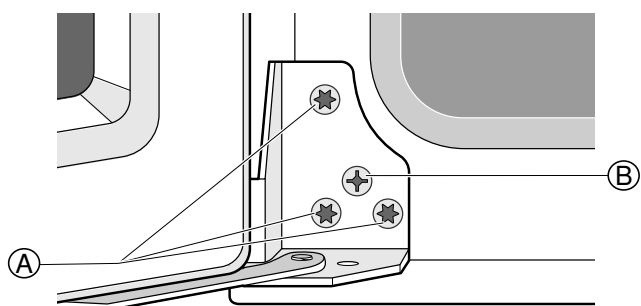
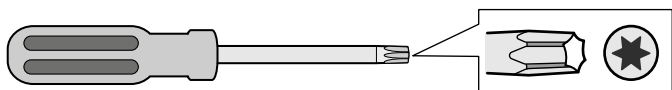
Pour aligner une porte à charnière latérale :

1. Vérifier si les portes de four à charnière latérale sont correctement alignées.
La porte doit se fermer d'elle-même sans heurt lorsque l'ergot s'emboîte avec le rouleau à la fermeture de la porte.
2. Fig. A : La porte est trop basse si la charnière latérale est au-dessus du niveau. On devrait ressentir un petit heurt quand l'ergot touche au rouleau de réalignement.
3. Fig. B : La porte est trop haute si la gâche est au-dessus du niveau. Vous sentirez un petit heurt entre l'ergot et le pêne. La porte doit être abaissée du côté du pêne.



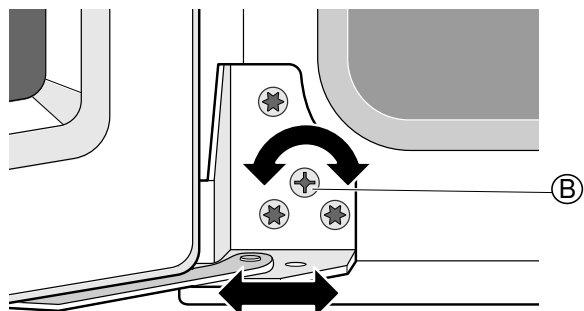
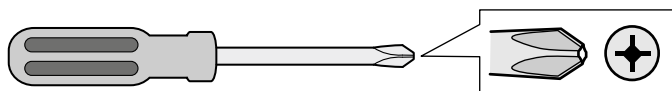
Procédure d'alignement de la porte à charnière latérale

1. Ouvrir la porte à environ 135 degrés.
2. Avec un tournevis Torx T20, dévisser les trois vis (A) de la charnière la plus longue. Faire 1 ou 2 tours complets.



Remarque : Tous les réglages sont effectués uniquement sur la charnière la plus longue. La charnière supérieure est fixe et ne peut pas être réglée.

3. Avec un tournevis Philips no 2, tourner la vis à came (B) vers la droite ou la gauche pour régler la position de la charnière dans la direction souhaitée.



Remarque : Un déplacement (gauche ou droit) de 1 mm de la charnière haussera ou abaissera la porte d'environ 1,5 mm au niveau du pêne.

4. Resserrer les vis avant de mettre à l'essai la fermeture de la porte. Faire attention de ne pas trop serrer les vis.
5. Vérifier le bon alignement de la porte. Répéter la procédure de réglage au besoin.

Guide de dépannage la porte à charnière latérale

Guide de dépannage pour porte à charnière latérale

Problème	Renseignements supplémentaires	Explications	Suggestion
La porte ne se ferme pas seule et est difficile à ouvrir.	Le rebord latéral à l'intérieur de la porte (du côté de la poignée de la porte) semble toucher à la garniture latérale de l'appareil.	En raison de l'installation, la garniture latérale semble être trop loin vers l'intérieur.	<ul style="list-style-type: none">• Vérifier l'installation de l'appareil dans l'armoire. Essayer de déplacer l'appareil dans l'armoire en direction des charnières. Cela permettra à la garniture latérale, nuisant à la fermeture, de se dégager.• Ajuster l'emplacement des vis de la garniture latérale pour la maintenir loin de la porte.• Vérifier l'ouverture dans l'armoire. S'assurer qu'elle n'est pas trop étroite. Élargir l'espace (découpe) au besoin.
La porte ne reste pas fermée.	Il est très facile d'ouvrir la porte. Très peu d'efforts sont nécessaires.	Le mécanisme du pêne à l'intérieur de la porte est resté coincé par inadvertance à l'ouverture de la porte.	<ul style="list-style-type: none">• Pour replacer le mécanisme, fermer complètement la porte. Avec la porte fermée, appuyer fermement sur la poignée de la porte pour remboîter le mécanisme.• Ouvrir de nouveau la porte pour vérifier son fonctionnement.

La porte ne se ferme pas sans heurt sur l'ergot. Une fois fermée, la porte s'ouvre sans incident.

- À la fermeture la porte sur l'ergot, la porte s'élève d'elle-même.
- Vous sentirez une légère résistance lorsque les rouleaux (à l'intérieur de la porte) touchent à la pointe de l'ergot et relèvent la porte.
- Si la porte doit s'élever de façon importante, elle ne se fermera plus d'elle-même et vous aurez besoin de pousser pour bien la fermer.

- La porte est trop basse pour permettre aux rouleaux de s'insérer correctement sur l'ergot.
- Consulter la section *Alignement de la porte à charnière latérale* pour connaître les directives.

- Consulter la *Procédure d'alignement de la porte à charnière latérale* pour élever la porte du côté de la poignée jusqu'à ce qu'elle se ferme au sans heurt.
- La porte devrait s'ouvrir et se fermer d'elle-même sans heurt, sans émettre de bruit ni présenter de résistance.

La porte ne se ferme pas sans heurt sur l'ergot. Une fois fermée, la porte peut sembler « accrocher » au moment de l'ouvrir.

Au moment d'ouvrir la porte, vous sentez une résistance et la porte peut même refuser de s'ouvrir. Le même type de résistance se fait ressentir au moment de la fermeture.

- La porte est trop élevée pour permettre aux rouleaux de s'insérer correctement sur l'ergot.
- Consulter la section *Alignement de la porte à charnière latérale* pour connaître les directives.

- Appuyer vers le bas sur la poignée alors que vous ouvrez la porte.
- Consulter la *Procédure d'alignement de la porte à charnière latérale* pour abaisser la porte du côté de la poignée.
- La porte devrait s'ouvrir sans accroc puis se fermer d'elle-même sans heurt, sans émettre de bruit ni présenter de résistance.

Opération d'essai

1. Mettez sous tension au disjoncteur.
2. Essayez le mode four.
Sélectionnez le mode BAKE (cuisson). Consultez le manuel d'utilisation et d'entretien pour les instructions de fonctionnement détaillées.
3. Vérifiez que l'éclairage du four s'allume et que le four se met à préchauffer.
4. Essayez le verrouillage de la porte.
Réglez de mode SELF CLEAN (nettoyage auto). Confirmez que la porte se verrouille lorsque l'icône de verrouillage s'affiche à l'écran.
5. Dans le cas d'un four double, testez également le deuxième four.
6. Si l'un des tests n'aboutit pas comme prévu ci-dessus, communiquez avec le service après-vente pour obtenir de l'aide. Sinon, l'installation est terminée à ce moment-ci.

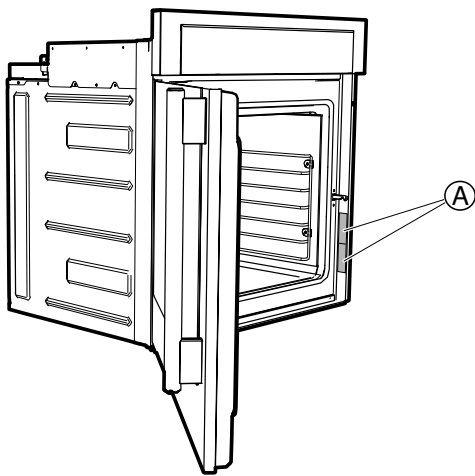
Dépannage

Avant d'appeler le service de réparations

Ne pas retirer la plaque signalétique. Cela pourrait annuler la garantie du produit.

Four simple à charnière latérale

Les plaques signalétiques (A) se trouvent sur le côté opposé de la charnière de porte. Pour les portes à charnière gauche, les plaques signalétiques se trouveront sur la garniture de porte, du côté droit. Pour les portes à charnière droite, elles se trouveront sur la garniture de porte, du côté gauche.



Emplacement de la plaque signalétique

A	Plaque signalétique
---	---------------------

Numéro de modèle et numéro FD

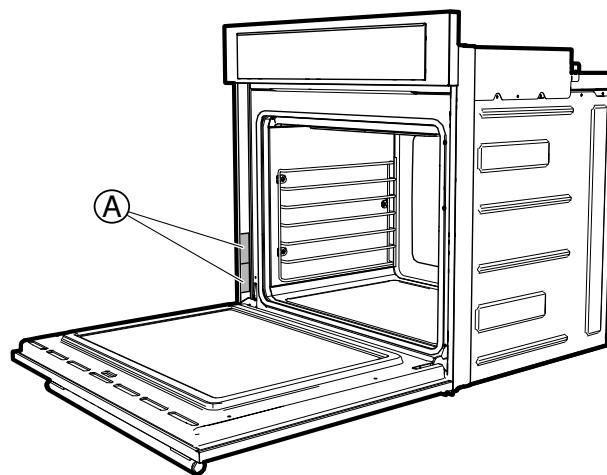
Le numéro de modèle et le numéro FD de l'appareil électroménager figurent sur la plaque signalétique. Prendre ces numéros en note dans l'espace ci-dessous pour économiser du temps, au cas où l'appareil électroménager aurait besoin de réparations.

No de modèle	No FD
Thermador Service après-vente	800-735-4328

Conserver votre facture ou votre contrat aux fins de validation de garantie si jamais vous avez besoin d'une réparation.

Four simple à charnière inférieure

Les plaques signalétiques (A) se trouvent sur le côté gauche de la garniture de porte.



Emplacement de la plaque signalétique

A	Plaque signalétique
---	---------------------

Numéro de modèle et numéro FD

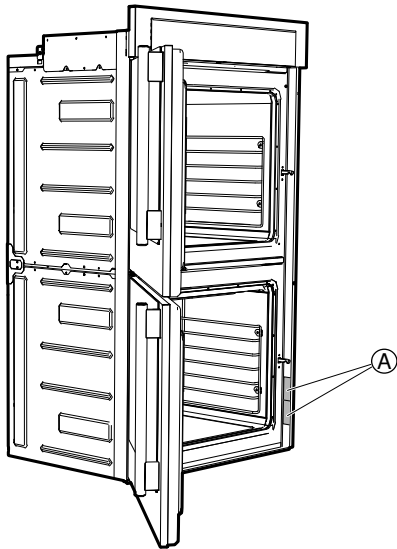
Le numéro de modèle et le numéro FD de l'appareil électroménager figurent sur la plaque signalétique. Prendre ces numéros en note dans l'espace ci-dessous pour économiser du temps, au cas où l'appareil électroménager aurait besoin de réparations.

No de modèle	No FD
Thermador Service après-vente	800-735-4328

Conserver votre facture ou votre contrat aux fins de validation de garantie si jamais vous avez besoin d'une réparation.

Four double à charnière latérale

Les plaques signalétiques (A) se trouvent sur le côté opposé de la charnière de porte. Pour les portes à charnière gauche, les plaques signalétiques se trouveront sur la garniture de porte, du côté droit. Pour les portes à charnière droite, elles se trouveront sur la garniture de porte, du côté gauche.



Emplacement de la plaque signalétique

A	Plaque signalétique
---	---------------------

Numéro de modèle et numéro FD

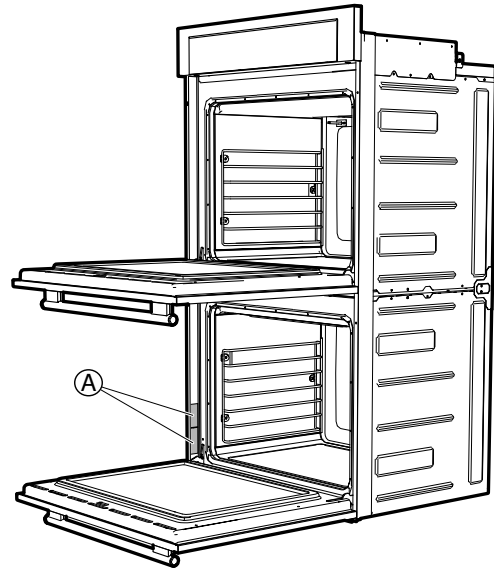
Le numéro de modèle et le numéro FD de l'appareil électroménager figurent sur la plaque signalétique. Prendre ces numéros en note dans l'espace ci-dessous pour économiser du temps, au cas où l'appareil électroménager aurait besoin de réparations.

No de modèle	No FD
Thermador Service après-vente	800-735-4328

Conserver votre facture ou votre contrat aux fins de validation de garantie si jamais vous avez besoin d'une réparation.

Four double à charnière inférieure

Les plaques signalétiques (A) se trouvent sur le côté gauche de la garniture de porte, de la cavité inférieure du four.



Emplacement de la plaque signalétique

A	Plaque signalétique
---	---------------------

Numéro de modèle et numéro FD

Le numéro de modèle et le numéro FD de l'appareil électroménager figurent sur la plaque signalétique. Prendre ces numéros en note dans l'espace ci-dessous pour économiser du temps, au cas où l'appareil électroménager aurait besoin de réparations.

No de modèle	No FD
Thermador Service après-vente	800-735-4328

Conserver votre facture ou votre contrat aux fins de validation de garantie si jamais vous avez besoin d'une réparation.

Exigences concernant les armoires

Les matériaux de l'armoire doivent être en mesure de supporter la chaleur élevée associée à l'utilisation d'un four. Il incombe au propriétaire de vérifier la compatibilité des matériaux de l'armoire avant l'installation et l'utilisation du four.

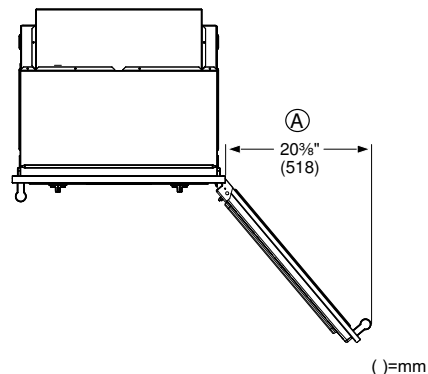
Les dimensions sous le four sont fournies à titre de ligne directrice générale et peuvent être ajustées pour s'adapter à un besoin particulier. Consultez un professionnel en design pour optimiser les préférences personnelles.

Les exigences en matière d'armoires varient selon le modèle à installer. Veuillez consulter le chapitre « Dimension de l'appareil et du caisson » pour connaître les détails concernant votre modèle.

Tous les modèles exigent :

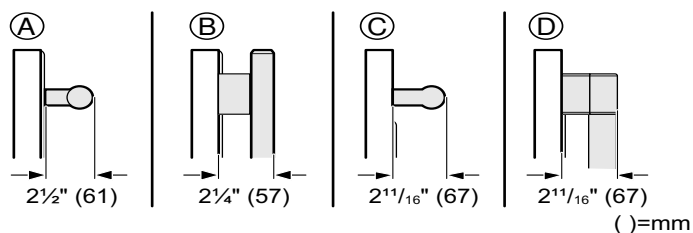
- Un espace de 1/4 po (6,4 mm) entre le côté du four et un mur adjacent ou une porte d'armoire est nécessaire pour une installation à l'extrémité d'une série d'armoires.
- Un trou de 2 po (5 cm) de diamètre est nécessaire pour passer le conduit allant vers la boîte de jonction.
- La boîte de jonction doit être installée en respectant les emplacements précisés. Vous les trouverez dans les directives d'installation avec tous les détails pour chaque dimensions.
- La base de l'armoire doit être plane et en mesure de soutenir le poids du four lorsqu'il est en utilisation (variable selon le modèle, maximum de 429 lb / 195 kg). Vérifiez le poids approprié du modèle dans les **CONSIGNES** au début de la section de chaque modèle.
- Assurez-vous de maintenir le dégagement minimum recommandé de 1/4 po (6 mm) de chaque côté de la porte du four avec les armoires, les portes d'armoire, les murs, etc. afin d'éviter tout contact secondaire avec la porte du four lors de son ouverture complète.
- Assurez-vous que la structure du plancher sous les armoires prend correctement en charge tout le poids du four. On recommande d'installer deux (2) glissières de 2 x 4 allant de la façade à la paroi arrière de l'armoire et qu'elles soient bien appuyées dans l'armoire. Les glissières doivent être assez distancées sous toute la largeur du four afin qu'elles puissent soutenir les bords gauche et droite du socle du four.

Remarque : Lors de l'installation d'un four à charnière latérale, laisser un dégagement d'au moins 10 po (254 mm) pour permettre l'ouverture de la porte.



A	Porte complètement ouverte
---	----------------------------

Profondeur de la poignée de porte



A	Poignée des appareils de la série Masterpiece
B	Poignée pour porte à charnière latérale de série Masterpiece
C	Poignée des appareils de série Professional
D	Poignée pour porte à charnière latérale de série Professional

Remarque : Poignée en saillie de la section extérieure de la porte. Exclue l'épaisseur de la porte.

Dimensions de l'appareil et de la découpe des armoires

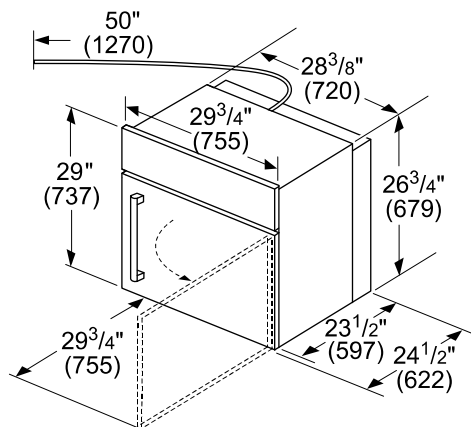
Dimensions pour les fours simples

AVIS

- Un trou de 2 po (5 cm) de diamètre est nécessaire pour passer le conduit allant vers la boîte de jonction.
- La base du caisson de l'armoire doit être plane et prendre en charge un poids d'au moins 232 lb (105 kg).
- Les dimensions sous le four sont fournies à titre de ligne directrice générale et peuvent être ajustées pour s'adapter à un besoin particulier. Consultez un professionnel en design pour optimiser les préférences personnelles.

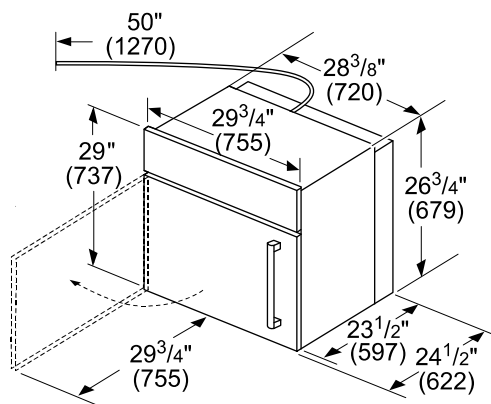
Installation murale d'un four simple

Four simple à charnière latérale droite



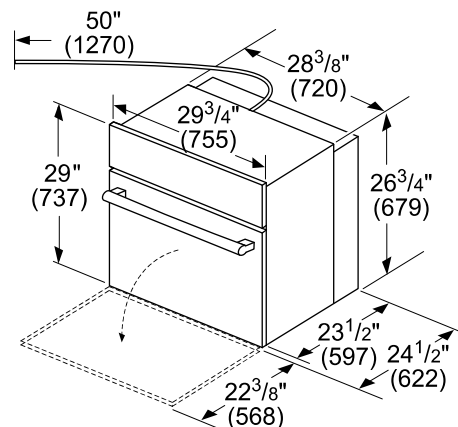
()=mm

Four simple à charnière latérale gauche



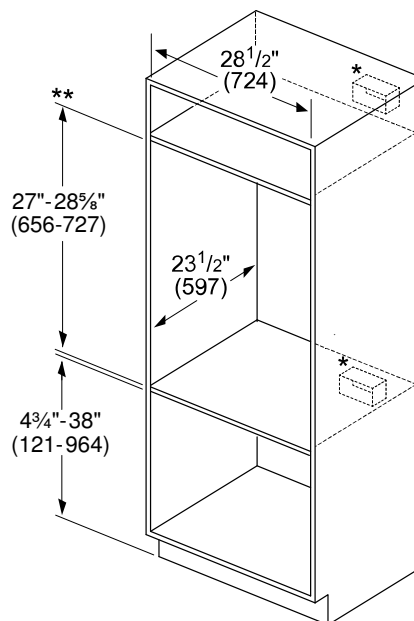
()=mm

Four simple à charnière inférieure



()=mm

Installation murale d'un four simple



()=mm

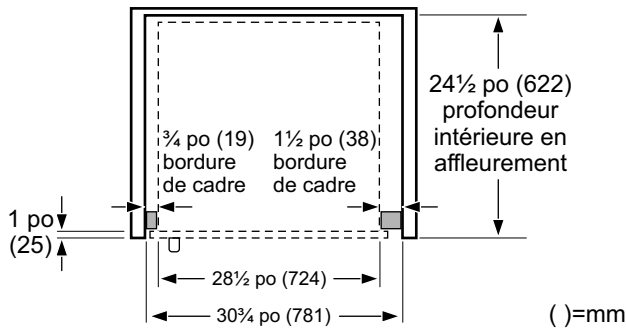
*Pour les fours simples installés dans une armoire murale, la boîte de jonction peut être située au-dessus, dessous, à gauche ou à droite de l'appareil, à portée du cordon d'alimentation.

**Pour les fours installés dans une armoire murale, le chevauchement du panneau de commandes est d'au moins ³/₈ po (10 mm) à 1¹/₄ po max. (25 mm).

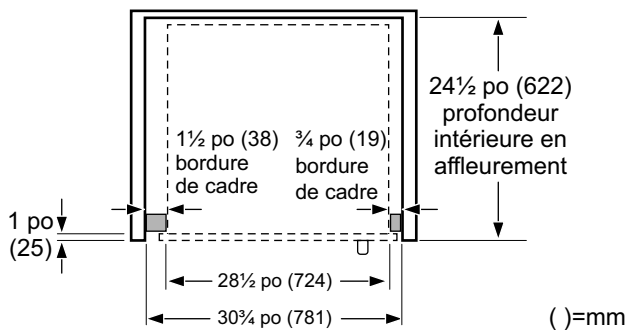
Installation murale affleurante d'un four simple

Pour une installation affleurée, il est nécessaire de fixer deux cales latérales à l'intérieur du cadre de l'armoire, décalées de l'avant.

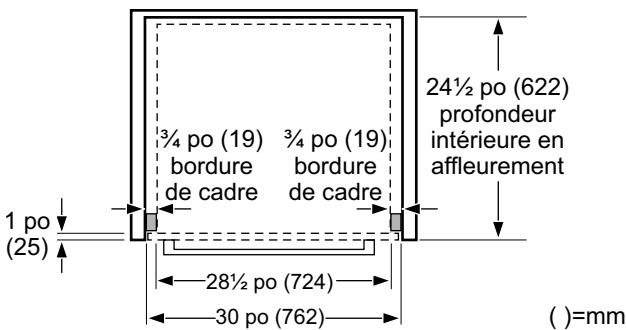
Vue du dessus porte à charnière latérale droite



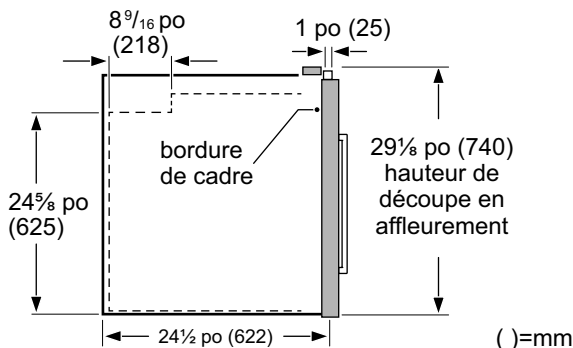
Vue du dessus porte à charnière latérale gauche



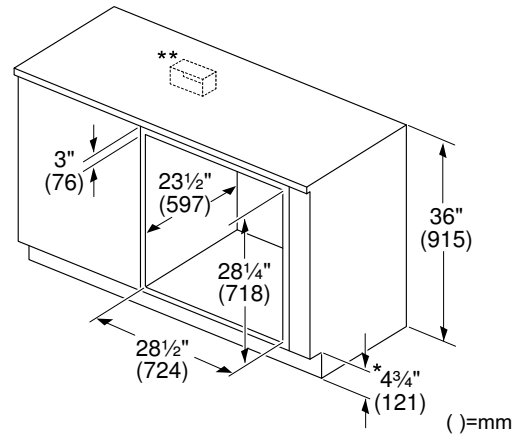
Vue du dessus porte à charnière inférieure



Vue de profil charnières latérales droite et gauche et charnière inférieure



Dimensions pour une installation sous le plan de travail



* Comprend un socle de 3/4 po (19 mm).

***Pour les fours simples installés sous une armoire, la boîte de jonction doit être située à gauche ou à droite de l'appareil, à portée du cordon d'alimentation.

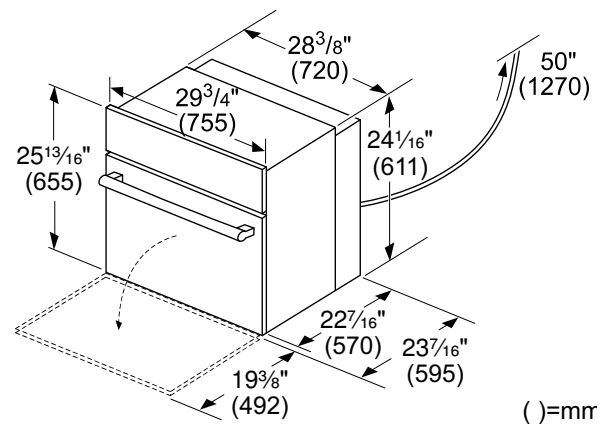
Dimensions pour un four à vapeur et à convection

AVIS

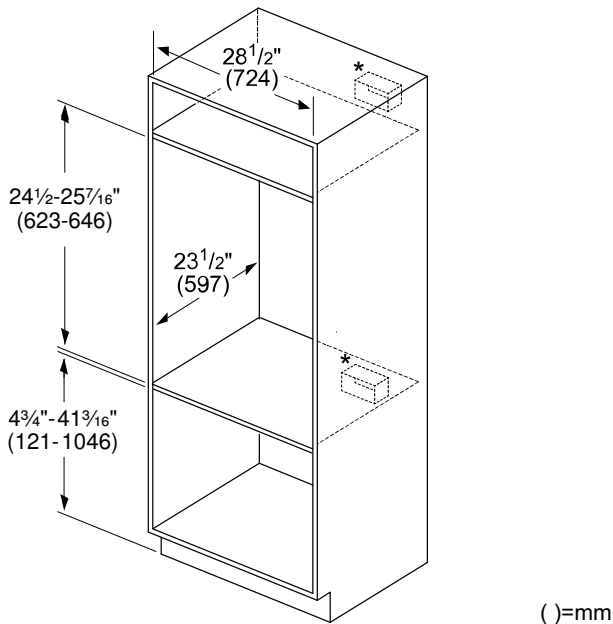
- Un trou de 2 po (5 cm) de diamètre est nécessaire pour passer le conduit allant vers la boîte de jonction.
- La base du caisson de l'armoire doit être plane et prendre en charge un poids d'au moins 232 lb (105 kg).
- Les dimensions sous le four sont fournies à titre de ligne directrice générale et peuvent être ajustées pour s'adapter à un besoin particulier. Consultez un professionnel en design pour optimiser les préférences personnelles.

Installation murale d'un four à vapeur et à convection

Four à vapeur et à convection à charnière inférieure



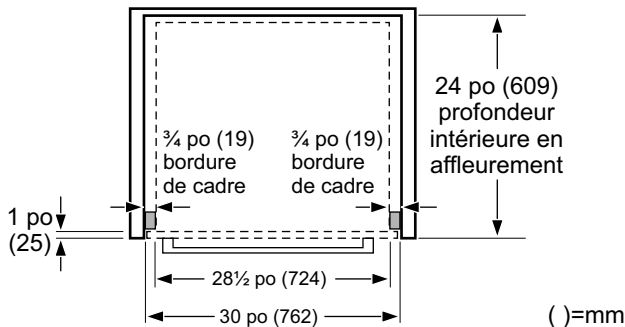
Installation murale



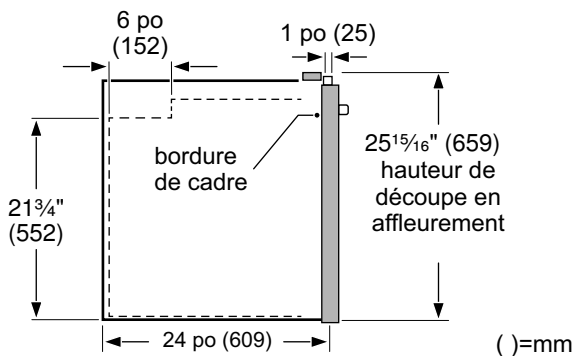
*Pour les fours simples installés dans une armoire murale, la boîte de jonction peut être située au-dessus, dessous, à gauche ou à droite de l'appareil, à portée du cordon d'alimentation.

Installation murale affleurante d'un four à vapeur et à convection

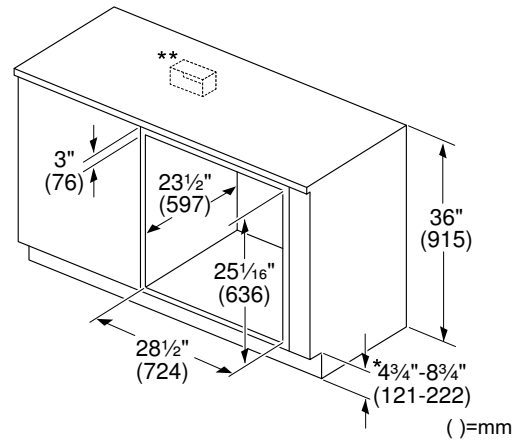
Vue du dessus; porte à charnière inférieure



Vue de profil; porte à charnière inférieure



Dimensions pour une installation sous le plan de travail



*Comprend un socle de 3/4 po (19 mm).

***Pour les fours simples installés sous une armoire, la boîte de jonction doit être située à gauche ou à droite de l'appareil, à portée du cordon d'alimentation.

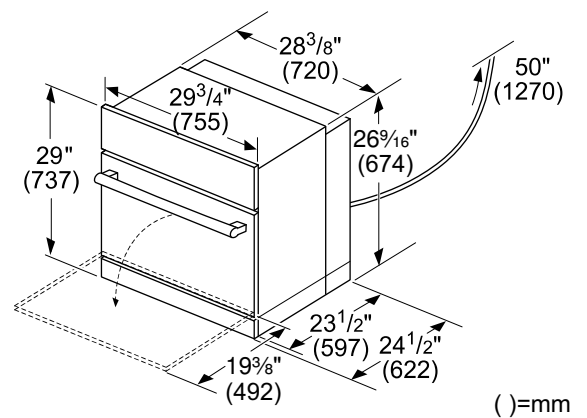
Dimensions pour un four à vapeur et à convection avec tiroir de rangement

AVIS

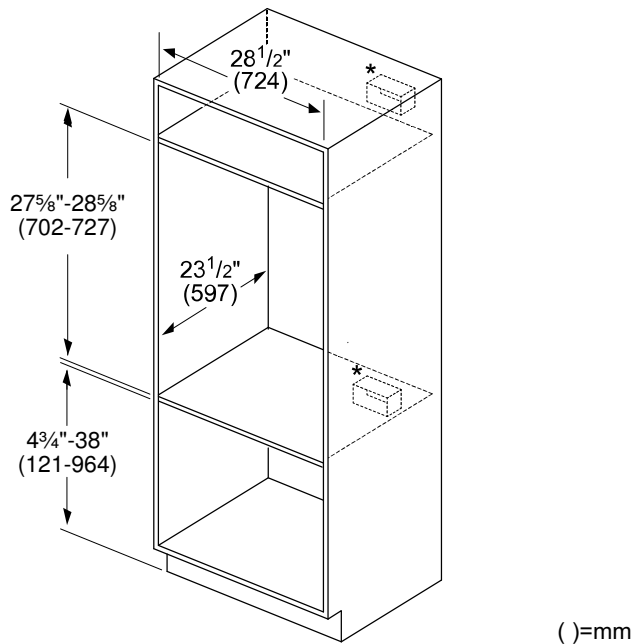
- Un trou de 2 po (5 cm) de diamètre est nécessaire pour passer le conduit allant vers la boîte de jonction.
- La base du caisson de l'armoire doit être plane et prendre en charge un poids d'au moins 232 lb (105 kg).
- Les dimensions sous le four sont fournies à titre de ligne directrice générale et peuvent être ajustées pour s'adapter à un besoin particulier. Consultez un professionnel en design pour optimiser les préférences personnelles.

Installation murale d'un four à vapeur et à convection avec tiroir de rangement

Four à vapeur et à convection avec tiroir de rangement



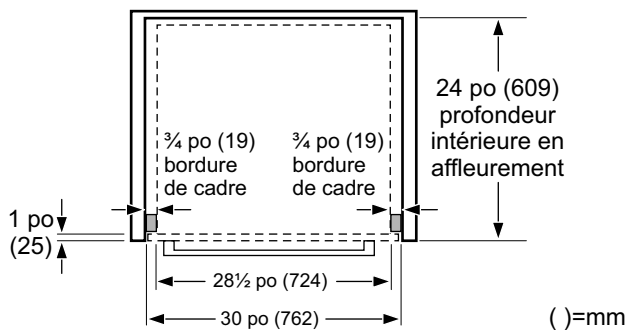
Installation murale d'un four à vapeur et à convection avec tiroir de rangement



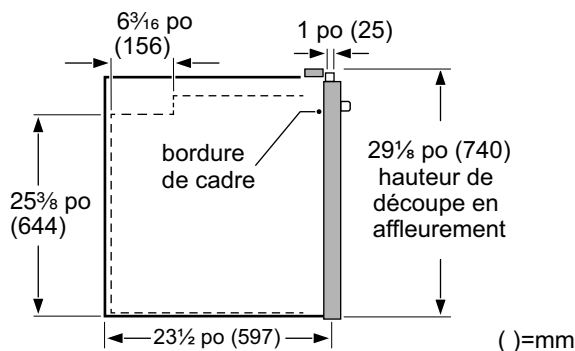
*Pour les fours simples installés dans une armoire murale, la boîte de jonction peut être située au-dessus, dessous, à gauche ou à droite de l'appareil, à portée du cordon d'alimentation.

Installation murale affleurante d'un four à vapeur et à convection avec tiroir de rangement

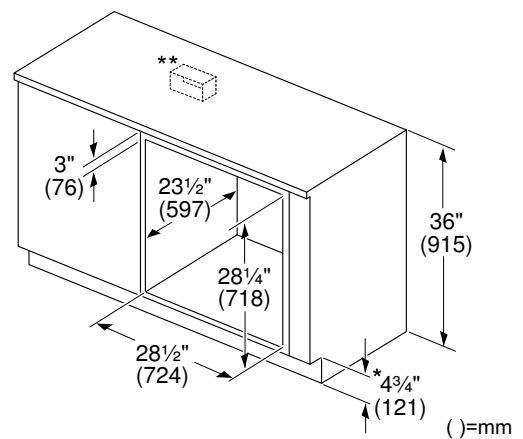
Vue du dessus; porte à charnière inférieure



Vue de profil; four à vapeur et à convection au-dessus d'un tiroir de rangement



Installation d'un four à vapeur avec tiroir de rangement sous le plan de travail



* Comprend un socle de 3/4 po (19 mm).

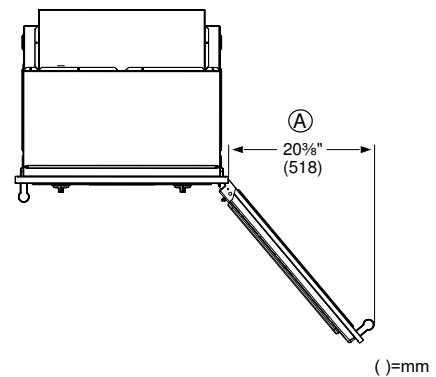
***Pour les fours simples installés sous une armoire, la boîte de jonction doit être située à gauche ou à droite de l'appareil, à portée du cordon d'alimentation.

Dimensions pour les fours doubles

AVIS

- Un trou de 2 po (5 cm) de diamètre est nécessaire pour passer le conduit allant vers la boîte de jonction.
- La base du caisson de l'armoire doit être plane et capable de prendre en charge un poids d'au moins 429 lb (195 kg).
- Les dimensions sous le four sont fournies à titre de ligne directrice générale et peuvent être ajustées pour s'adapter à un besoin particulier. Consultez un professionnel en design pour optimiser les préférences personnelles.

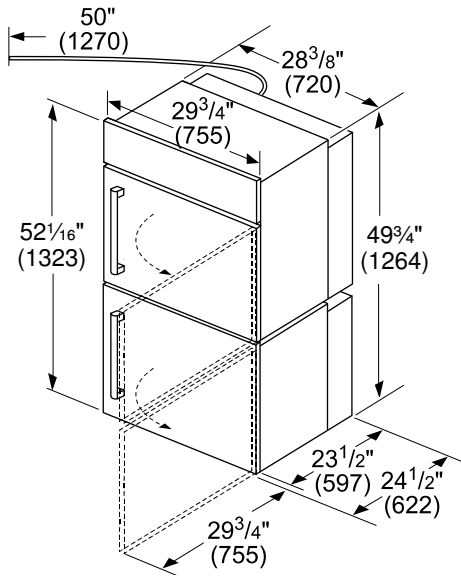
Remarque : Lors de l'installation d'un four à charnière latérale, laisser un dégagement d'au moins 10 po (254 mm) pour permettre l'ouverture de la porte.



A | Porte complètement ouverte

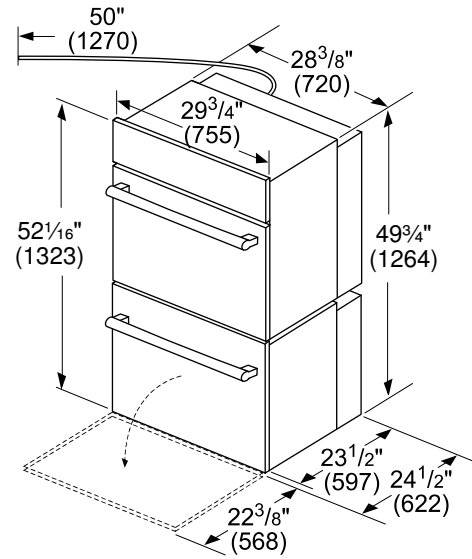
Installation murale d'un four double

Four double à charnière latérale droite



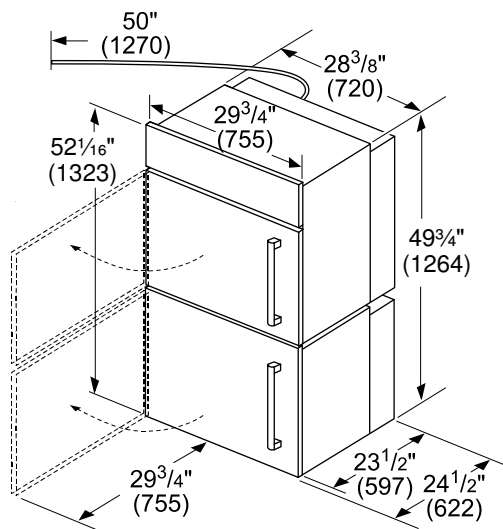
()=mm

Four double à charnière inférieure



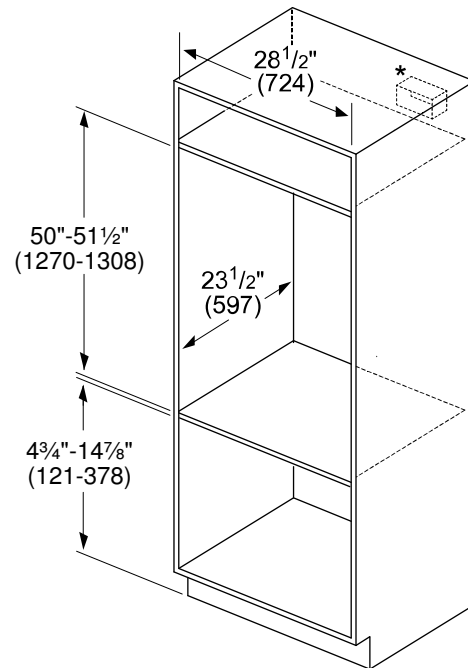
()=mm

Four double à charnière latérale gauche



()=mm

Installation murale d'un four double



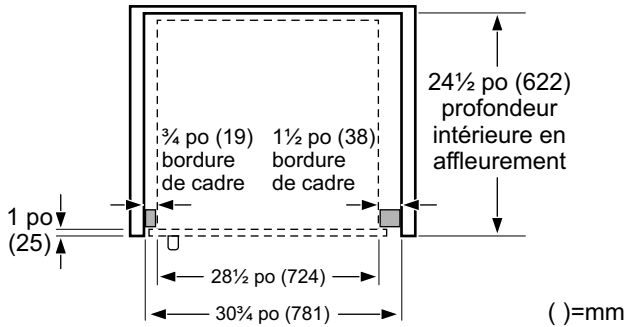
()=mm

Remarque : *La boîte de jonction peut être installée au-dessus, à gauche ou à droite de l'appareil, à portée du cordon d'alimentation.

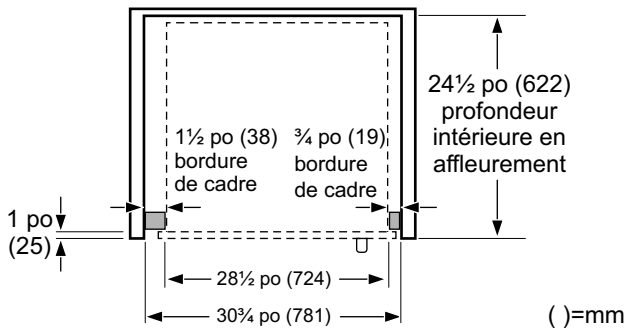
Installation murale affleurante d'un four double

Pour une installation affleurée, il est nécessaire de fixer deux cales latérales à l'intérieur du cadre de l'armoire, décalées de l'avant.

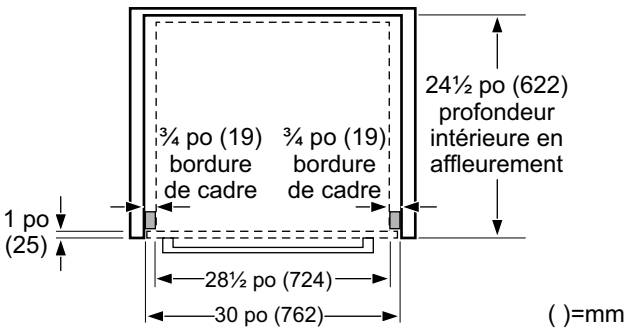
Vue du dessus porte à charnière latérale droite



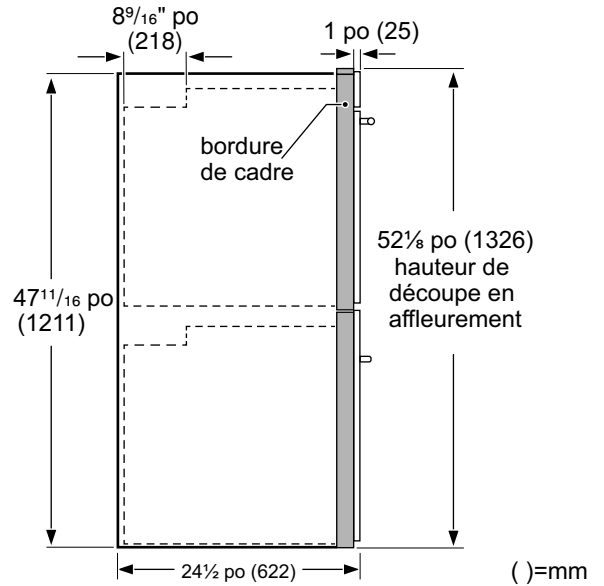
Vue du dessus porte à charnière latérale gauche



Vue du dessus porte à charnière inférieure



Vue de profil charnières latérales droite et gauche et charnière inférieure

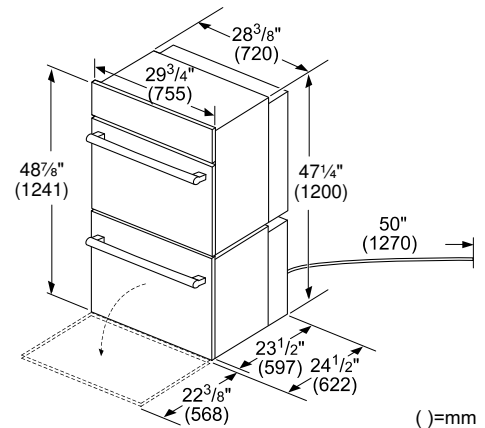


Dimensions pour un four combiné avec four à vapeur et à convection

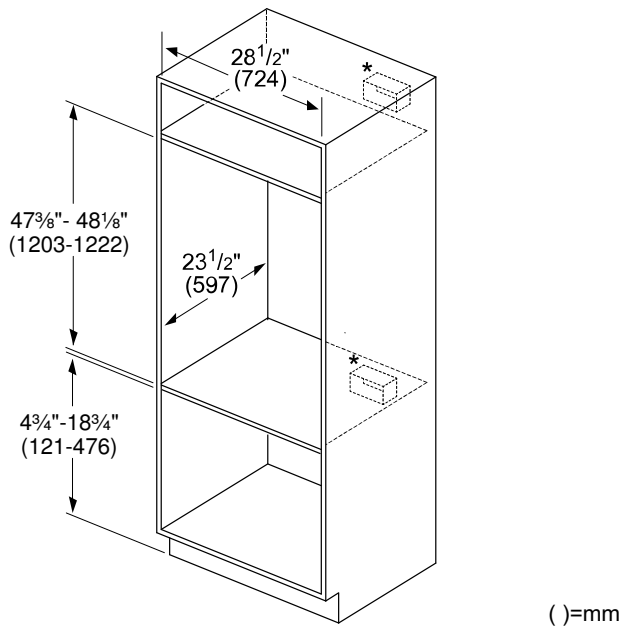
AVIS

- Un trou de 2 po (5 cm) de diamètre est nécessaire pour passer le conduit allant vers la boîte de jonction.
- La base du caisson de l'armoire doit être plane et capable de prendre en charge un poids d'au moins 429 lb (195 kg).
- Les dimensions sous le four sont fournies à titre de ligne directrice générale et peuvent être ajustées pour s'adapter à un besoin particulier. Consultez un professionnel en design pour optimiser les préférences personnelles.

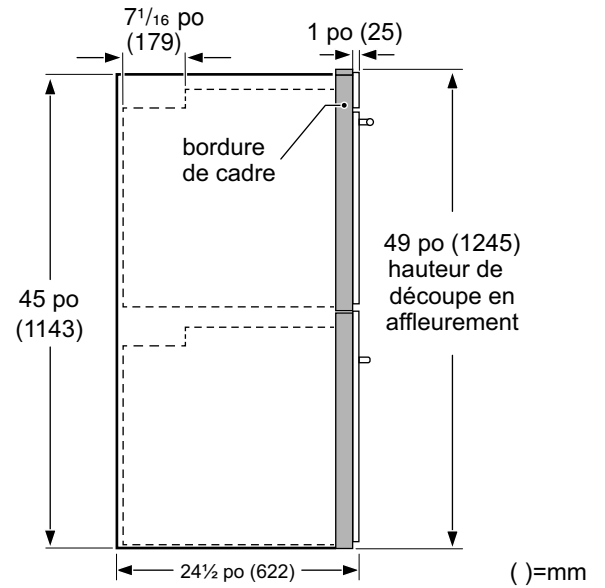
Installation murale d'un four combiné avec four à vapeur et à convection



Installation murale



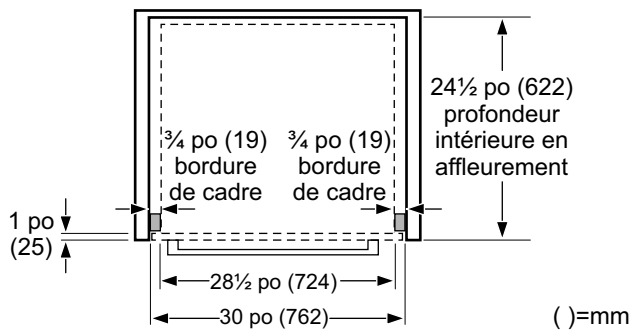
Vue de profil four combiné avec four à vapeur et à convection



*La boîte de jonction peut être installée au-dessus, dessous, à gauche ou à droite de l'appareil, à portée du câble d'alimentation.

Installation murale affleurante d'un four combiné avec four à vapeur et à convection

Vue du dessus porte à charnière inférieure

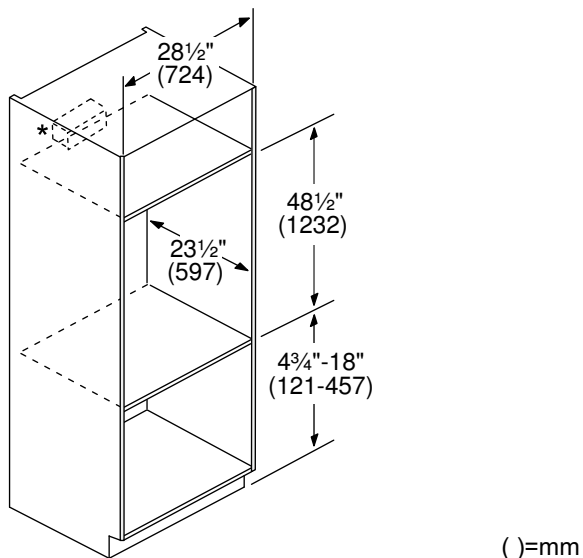
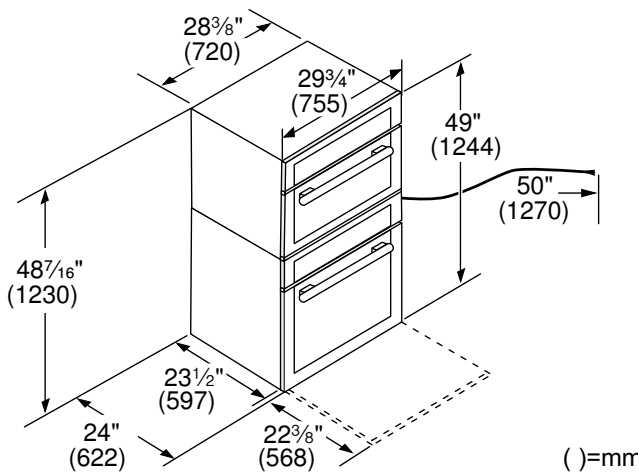


Dimensions pour un four combiné avec four à micro-ondes ou à micro-ondes à cuisson rapide

AVIS

- Un trou de 2 po (5 cm) de diamètre est nécessaire pour passer le conduit allant vers la boîte de jonction.
- La base du caisson de l'armoire doit être plane et capable de prendre en charge un poids d'au moins 322 lb (146 kg).
- Les dimensions sous le four sont fournies à titre de ligne directrice générale et peuvent être ajustées pour s'adapter à un besoin particulier. Consultez un professionnel en design pour optimiser les préférences personnelles.

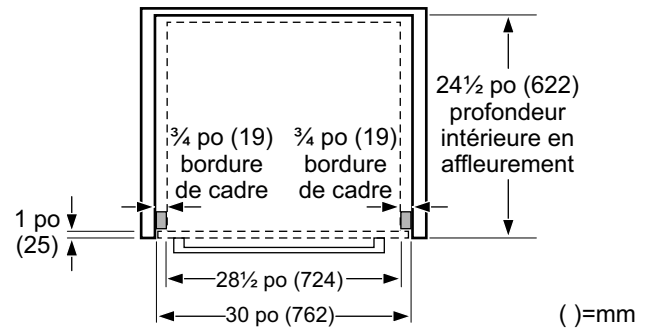
Four combiné avec four à micro-ondes ou à micro-ondes à cuisson rapide



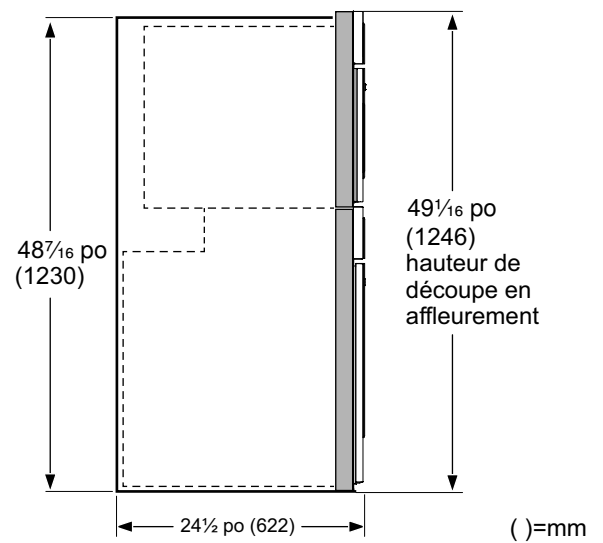
*La boîte de jonction peut être installée au-dessus, dessous, à gauche ou à droite de l'appareil, à portée du câble d'alimentation.

Installation affleurante d'un four combiné avec four à micro-ondes ou à micro-ondes à cuisson rapide

Vue du dessus porte à charnière inférieure



Vue de profil four combiné avec four à micro-ondes ou à micro-ondes à cuisson rapide

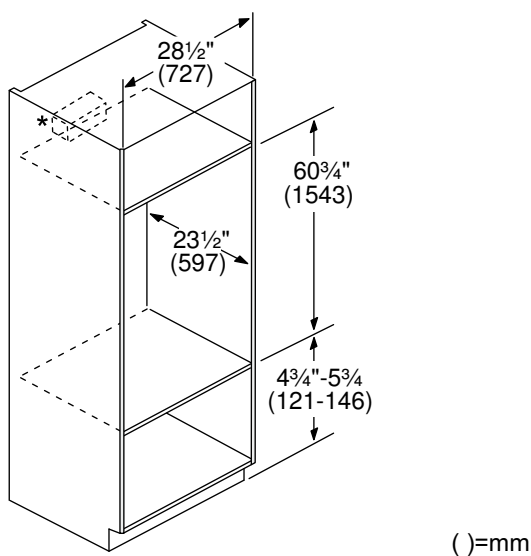
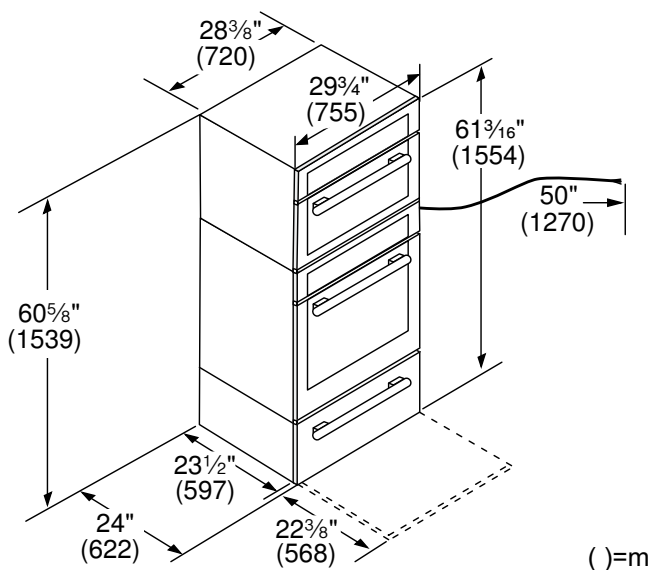


Dimensions pour un four triple avec micro-ondes à cuisson rapide et tiroir-réchaud

AVIS

- Un trou de 2 po (5 cm) de diamètre est nécessaire pour passer le conduit allant vers la boîte de jonction.
- La base du caisson de l'armoire doit être plane et capable de prendre en charge un poids d'au moins 429 lb (195 kg).
- Les dimensions sous le four sont fournies à titre de ligne directrice générale et peuvent être ajustées pour s'adapter à un besoin particulier. Consultez un professionnel en design pour optimiser les préférences personnelles.

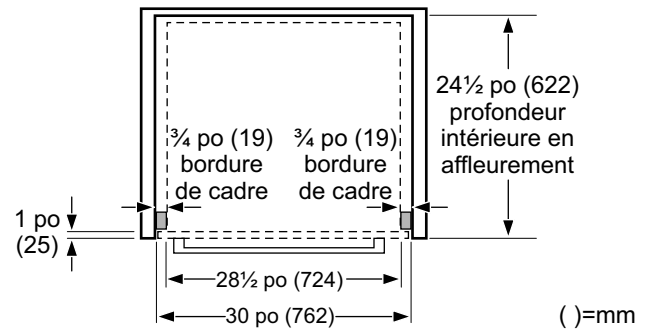
Four simple avec micro-ondes à cuisson rapide et tiroir-réchaud



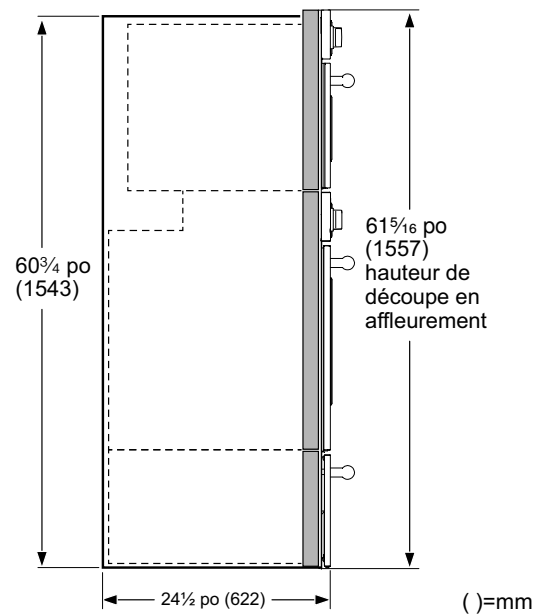
*La boîte de jonction peut être installée au-dessus, à gauche ou à droite de l'appareil, à portée du câble d'alimentation.

Installation affleurante d'un four simple avec micro-ondes à cuisson rapide et tiroir-réchaud

Vue du dessus porte à charnière inférieure



Vue de profil four simple avec micro-ondes à cuisson rapide et tiroir-réchaud



Soutien THERMADOR®

Dépannage

Nous sommes conscients que vous avez investi des sommes considérables dans votre cuisine. Nous nous engageons à vous offrir, ainsi qu'à votre appareil, un service de dépannage qui vous permettra de profiter de votre cuisine pendant de nombreuses années.

N'hésitez pas à communiquer avec notre service à la clientèle STAR® si vous avez des questions ou dans l'éventualité peu probable où votre appareil THERMADOR® nécessiterait de l'entretien. Notre équipe de dépannage se fera un plaisir de vous aider.

États-Unis

800-735-4328

www.thermador.com/support

Canada

800-735-4328

www.thermador.ca

Pièces et accessoires

Pour vous procurer des pièces, des filtres, du détartrant, des produits nettoyants pour l'acier inoxydable et autres, rendez-vous sur la boutique en ligne THERMADOR® ou communiquez avec nous par téléphone.

États-Unis

<http://store.thermador.com/us>

Canada

- Si vous résidez dans les provinces de l'Atlantique, en Ontario ou au Québec, communiquer avec :

Marcone

1.800-287-1627

- Si vous résidez dans un territoire, au Manitoba, en Saskatchewan, en Alberta ou en Colombie-Britannique, communiquer avec :

Reliable Parts

800-663-6060

ÍNDICE

Definiciones de seguridad	59	Horno sencillo, bisagra lateral	74
INSTRUCCIONES DE SEGURIDAD IMPORTANTES ...	60	Horno sencillo, bisagra inferior	74
Seguridad de manejo del electrodoméstico	60	Horno doble, bisagra lateral	75
Códigos y normas de seguridad	60	Horno doble, bisagra inferior	75
Seguridad con la electricidad	60	Requisitos del gabinete	76
Seguridad de los equipos relacionados	61	Profundidad del asa de la puerta	76
Advertencia en virtud de la Proposición 65 del estado de California:	61	Dimensiones del electrodoméstico y del hueco para el gabinete	77
Transporte	61	Medidas para unidades de horno sencillo	77
Preparación	62	Medidas para unidades de horno de vapor y convección	78
Números de los modelos incluidos en este manual	62	Medidas para hornos de convección y vapor con cajón de almacenamiento	79
Antes de empezar	62	Medidas para unidades de horno doble	80
Lista de verificación de instalación	63	Medidas para unidades de horno combinado con horno de vapor y convección	82
Quitar el embalaje	64	Medidas del horno combinado con microondas u horno rápido	84
Extraer la placa de fijación de embalaje del lateral izquierdo	64	Medidas del horno triple con horno rápido y cajón calentaplatos	85
Extraer la placa de fijación de embalaje del lateral derecho	64	Soporte técnico de THERMADOR®	86
Instalación eléctrica	65	Servicio técnico	86
Conexión eléctrica	65	Piezas y accesorios	86
Conexión de cuatro cables (preferida)	65		
Conexión de tres cables	66		
Conexión de cuatro cables para horno de cocción al vapor	66		
Conexión de tres cables para horno de cocción al vapor	66		
Instalar el horno	67		
Para una mejor instalación	67		
Retirar la puerta del horno	67		
Colocar el horno en la abertura del gabinete	69		
Volver a reinstalar las puertas de los hornos con bisagra inferior	70		
Alinear las puertas de los hornos con bisagras laterales	71		
Procedimiento de alineación de las puertas con bisagra lateral	71		
Guía de solución de problemas para puertas con bisagra lateral	72		
Funcionamiento de prueba	73		
Servicio	74		
Antes de llamar al servicio técnico	74		

Este electrodoméstico de THERMADOR

es hecho por
BSH Home Appliances Corporation
1901 Main Street, Suite 600
Irvine, CA 92614

¿Preguntas?

1-800-735-4328

www.thermador.com

¡Con gusto lo atenderemos!

Definiciones de seguridad

▲ ADVERTENCIA

Esto indica que pueden producirse heridas graves o incluso la muerte si no se cumple con esta advertencia.

▲ ATENCION

Esto indica que pueden producirse heridas leves o moderadas si no se cumple con esta advertencia.

AVISO: Esto indica que pueden producirse daños en el aparato o en los bienes si no se cumple con este aviso.

Nota: Esto alerta sobre información o sugerencias importantes.

⚠ INSTRUCCIONES DE SEGURIDAD IMPORTANTES

LEA Y CONSERVE ESTAS INSTRUCCIONES

IMPORTANTE: CONSERVAR ESTAS INSTRUCCIONES PARA QUE LAS USE EL INSPECTOR DE ELECTRICIDAD LOCAL.

INSTALADOR: DEJAR ESTAS INSTRUCCIONES DE INSTALACIÓN JUNTO A LA UNIDAD PARA EL PROPIETARIO.

PROPIETARIO: CONSERVAR ESTAS INSTRUCCIONES PARA REFERENCIA FUTURA.

ADVERTENCIA

Si no sigue la información de este manual exactamente, se puede ocasionar un incendio o una descarga eléctrica que puede causar daños materiales o lesiones personales.

ADVERTENCIA

No reparar, sustituir ni quitar ninguna pieza del electrodoméstico a menos que se recomiende de forma específica en los manuales. Una instalación, servicio o mantenimiento inadecuados pueden causar lesiones o daños materiales. Consultar este manual para recibir ayuda. Todos los demás servicios debe realizarlos un agente autorizado.

Seguridad de manejo del electrodoméstico

ATENCIÓN



- La unidad es pesada y se requieren al menos dos personas o un equipo adecuado para trasladarla.
- Si se trata de hornos dobles y triples, se necesitan tres personas o más para levantar la unidad y colocarla en su sitio.
- No levantar el aparato tomándolo de la manija de la puerta.
- Las superficies ocultas pueden tener bordes afilados. Proceder con cuidado al intentar sujetar el electrodoméstico por la parte trasera o desde abajo.

Códigos y normas de seguridad

Este electrodoméstico cumple con la última versión de una o varias de las siguientes normas:

- CAN/CSA C22.2 No. 61 - Estufas de uso doméstico (Household Cooking Ranges)
- UL 858 - Estufas eléctricas de uso doméstico (Household Electric Ranges)
- CAN/CSA C22.2 N.º 150 - Hornos de microondas (Microwave Ovens)
- UL 923 - Electrodomésticos de cocción por microondas (Microwave Cooking Appliances)
- CSA C22.2 N.º 64 - Electrodomésticos para cocinar y para calentar líquidos de uso doméstico (Household Cooking and Liquid-Heating Appliances)
- UL 1026 - Electrodomésticos para cocinar y para servir alimentos eléctricos de uso doméstico (Electric Household Cooking and Food Serving Appliances)

Es responsabilidad del propietario y del instalador determinar si se aplican otros requisitos o normas en instalaciones específicas.

Seguridad con la electricidad

Antes de enchufar un cable eléctrico, asegurarse de que todos los controles se encuentren en la posición OFF (apagado).

Si el Código Nacional Eléctrico (o el Código Eléctrico Canadiense) así lo exige, este aparato debe instalarse en un circuito derivado por separado.

Instalador: mostrar al propietario la ubicación del breaker o del fusible. Marcarlo para recordar más fácilmente.

Importante: Conservar estas instrucciones para que las use el inspector de electricidad local.

Antes de realizar la instalación, desconectar la alimentación eléctrica en el panel de servicio. Bloquear el panel de servicio para impedir que se conecte accidentalmente la alimentación eléctrica.

Para obtener más información, consultar la etiqueta de clasificación. Ver «Etiqueta de clasificación» en «Servicio» para ver la ubicación de la etiqueta de clasificación.

Asegurarse de que el aparato está correctamente instalado y conectado a tierra por un técnico calificado. La instalación, las conexiones eléctricas y la conexión a tierra deben cumplir con todas las normas correspondientes.

⚠ INSTRUCCIONES DE SEGURIDAD IMPORTANTES

LEA Y CONSERVE ESTAS INSTRUCCIONES

Seguridad de los equipos relacionados

Retire toda la cinta y el embalaje antes de usar el electrodoméstico. Destruya el embalaje después de desembalar el electrodoméstico. Nunca deje que los niños jueguen con el material de embalaje.

Nunca modifique ni altere la construcción del electrodoméstico. Por ejemplo, no retire las patas niveladoras, paneles, cubiertas para cables ni soportes/tornillos antivuelco.

Antes de encender el electrodoméstico, retirar cualquier material de embalaje o lámina adhesiva del compartimento de cocción y de la puerta.

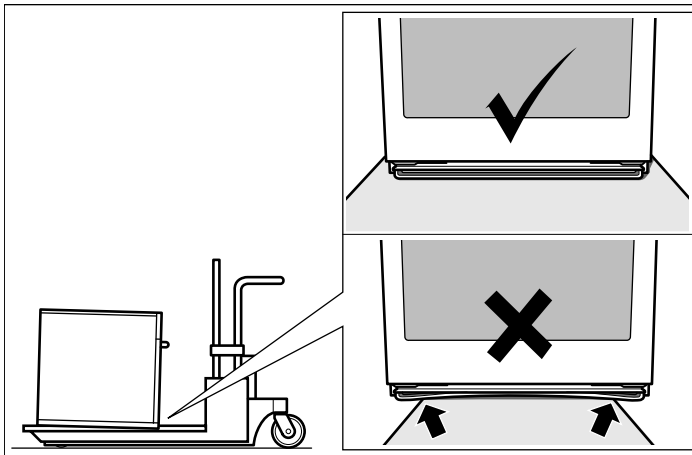
Advertencia en virtud de la Proposición 65 del estado de California:

ADVERTENCIA

Este producto puede exponerlo a sustancias químicas, incluyendo cloruro de vinilo, que el estado de California sabe que provocan cáncer, defectos congénitos u otro daño reproductivo. Para obtener más información, ir a la página web: www.P65Warnings.ca.gov.

Transporte

Para evitar el daño a la abertura del horno, utiliza el método del transporte mostrado en el dibujo abajo.



Preparación

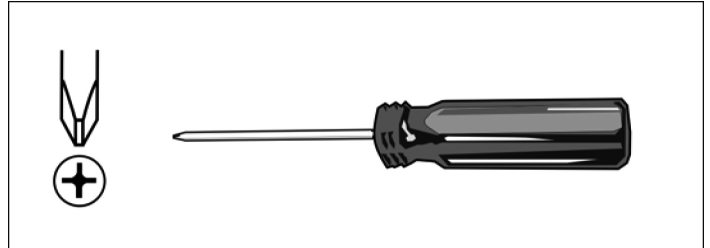
Números de los modelos incluidos en este manual

Modelo	Tipo	Serie
ME301WS	Horno sencillo	Masterpiece
MED301WS	Horno sencillo	Masterpiece
MED301LWS	Horno sencillo	Masterpiece
MED301RWS	Horno sencillo	Masterpiece
PO301W	Horno sencillo	Profesional
POD301W	Horno sencillo	Profesional
POD301LW	Horno sencillo	Profesional
POD301RW	Horno sencillo	Profesional
ME302WS	Horno doble	Masterpiece
MED302WS	Horno doble	Masterpiece
MED302LWS	Horno doble	Masterpiece
MED302RWS	Horno doble	Masterpiece
PO302W	Horno doble	Profesional
POD302W	Horno doble	Profesional
POD302LW	Horno doble	Profesional
POD302RW	Horno doble	Profesional
MEM301WS	Horno combinado con microondas	Masterpiece
POM301W	Horno combinado con microondas	Profesional
MEDMC301WS	Horno combinado con horno rápido	Masterpiece
PODMC301W	Horno combinado con horno rápido	Profesional
MEDMCW31WS	Horno triple con horno rápido y cajón calienta-platos	Masterpiece
PODMCW31W	Horno triple con horno rápido y cajón calienta-platos	Profesional
MEDS301WS	Horno de vapor y convección	Masterpiece
PODS301W	Horno de vapor y convección	Profesional
MEDS302WS	Horno combinado con horno de vapor y convección	Masterpiece
PODS302W	Horno combinado con horno de vapor y convección	Profesional

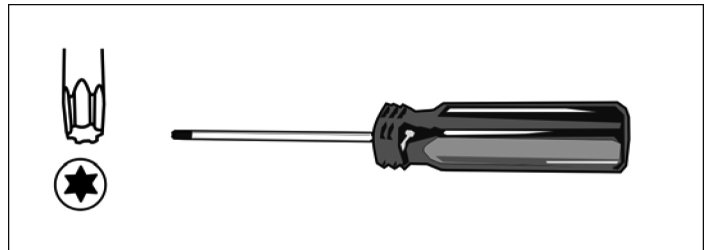
Antes de empezar

Herramientas y piezas necesarias

- Destornillador con cabeza Phillips n.º 2 (para instalar tornillos de la moldura).



- Destornillador con cabeza de estrella T20 (para retirar tornillos de transporte).



- Taladro y broca de taladro de 1/8 pulg. (para perforar orificios piloto para los tornillos de la moldura).
- Cinta métrica.
- Se recomienda el uso de guantes y mangas largas (para ayudar a proteger las manos y los brazos de los raspones).

Piezas incluidas

Tornillos con cabeza Phillips (6).

Requisitos de potencia

La caja de conexiones debe tener la conexión a tierra de acuerdo con todas las normas aplicables.

Lista de verificación de instalación

Usar esta lista de comprobación para verificar que se ha completado cada paso del proceso de instalación. Esto puede ayudarle a evitar errores comunes.

Siempre leer y seguir todas las instrucciones de instalación de este manual.

Consultar las instrucciones detalladas de cada paso en las secciones que van después de esta lista de verificación.

1. Antes de instalar el horno, asegurarse de comprobar que las dimensiones del gabinete son correctas para la unidad y que están presentes las conexiones eléctricas necesarias. Asegurarse de que el tubo conduit pasacables suministrado con la unidad pueda llegar al punto de conexión.

Sección: Dimensiones y requisitos del gabinete

2. Mover la unidad del horno y colocarlo justo delante del espacio del gabinete.

Sección: Quitar el embalaje

3. Quitar los materiales de embalaje, pero dejar el embalaje de la parte inferior de la unidad para evitar dañar el piso.

Sección: Quitar el embalaje

4. Quitar los tornillos Torx T20 (de punta de estrella) que sujetan la unidad a la base del cartón.

Sección: Quitar el embalaje

5. Realizar la instalación eléctrica.

Sección: Instalación eléctrica

6. Retirar la puerta o puertas del horno (bisagra inferior solamente).

Sección: Instalar el horno, «Retirar la puerta del horno»

7. Levantar en equipo la unidad e introducirla directamente al espacio del gabinete.

Sección: Instalar el horno, «Colocar el horno en la abertura del gabinete»

8. Deslizar la unidad hasta su sitio.

Sección: Instalar el horno, «Colocar el horno en la abertura del gabinete»

9. Sujetar la unidad del horno al espacio del gabinete con los tornillos suministrados.

Sección: Instalar el horno, «Colocar el horno en la abertura del gabinete»

10. Volver a montar la puerta o puertas del horno.

Sección: Instalar el horno, «Colocar el horno en la abertura del gabinete»

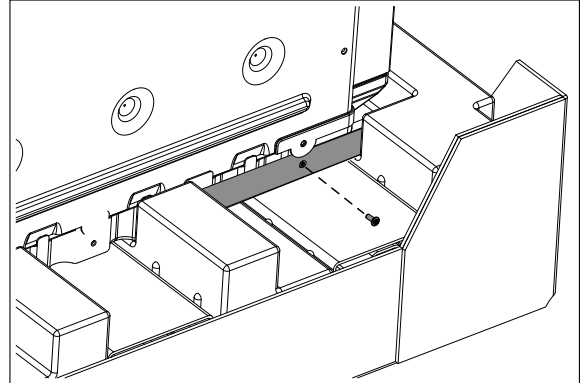
Quitar el embalaje

AVISO: Para evitar que se dañe su piso, mantenga la unidad en su base de embalaje hasta que esté lista para ser colocada en la abertura del gabinete. No arrastre la unidad por el piso.

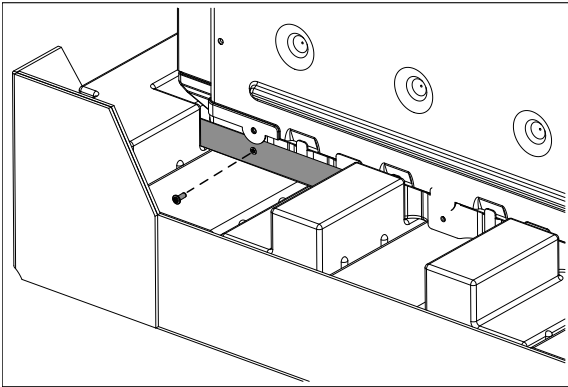
Los diversos modelos utilizan diferentes materiales de embalaje. Las placas de fijación reales pueden tener un aspecto diferente. La placa de fijación permanece en la base del embalaje.

1. Cortar los flejes del exterior de la caja.
2. Sacar la caja de cartón.
3. Retirar todo el embalaje de cartón, espuma y madera de la parte superior y lateral.
4. Colocar el horno (dejándolo en la base de envío) delante del gabinete en el que se va a instalar.
5. Extraer todos los accesorios, rejillas, materiales de embalaje y documentación de la cavidad del horno. Revisar ambas cavidades si se trata de un horno doble.
6. Desatornillar la unidad de las placas de fijación del embalaje como se indica en la imagen. Los tornillos junto a la placa de fijación de instalación de la base son Torx medida T20. Solo hay que extraer un tornillo que pasa por el orificio longitudinal de la placa de fijación de instalación en los laterales derecho e izquierdo de la unidad para poder levantar la unidad de la base de instalación.

Extraer la placa de fijación de embalaje del lateral derecho



Extraer la placa de fijación de embalaje del lateral izquierdo



Instalación eléctrica

Todos los modelos de horno cuentan con la clasificación dual en la tapa frontal, y han sido diseñados para conectarse a 208/240V CA, 60 Hz, a una red de alimentación monofásica de 4 cables.

Modelo	Circuito requerido	Vatios @ 240v	Circuito requerido	Vatios @ 208v
MEDS301WS PODS301W	20 A	4100	20 A	3500
ME301WS MED301LWS MED301RWS MED301WS POD301W POD301LW POD301RW POD301W	30 A	6400	30 A	4800
ME302WS PO302W MEDS302WS PODS302W	40 A	9200	40 A	7000
MED302WS MED302LWS MED302RWS POD302W POD302LW POD302RW	40 A	9600	40 A	7500
MEDMC301WS MEDMCW31WS- MEM301WS PODMC301W PODMCW31W POM301W	50 A	10200	40 A	8300

El suministro eléctrico debe ser de corriente alterna monofásica, de 4 cables. Instalar una caja para conductos conduit adecuada (no viene incluida). Debe utilizarse un conector para tubos conduit pasacables de tamaño adecuado, incluido en el listado de UL, para unir correctamente el tubo conduit a la caja de conexiones.

Nota: Las normas locales pueden variar. La instalación, las conexiones eléctricas y la conexión a tierra deben cumplir con todas las normas locales vigentes.

Si las normas locales permiten efectuar la conexión a tierra a través del conductor neutral de la red de suministro, conectar el cable blanco neutral y la puesta a tierra del horno con el cable blanco neutral de la red de suministro.

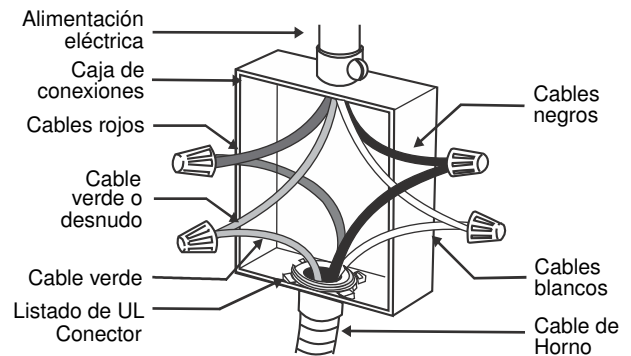
Conexión eléctrica

La conexión del circuito con cuatro hilos es preferible pero donde los códigos locales lo permiten, se acepta también una conexión con tres hilos.

⚠ ADVERTENCIA

Si se conecta a una fuente de alimentación trifásica de 4 o 5 hilos y 120/208 V, el conductor de fase C no es necesario para el funcionamiento del aparato.

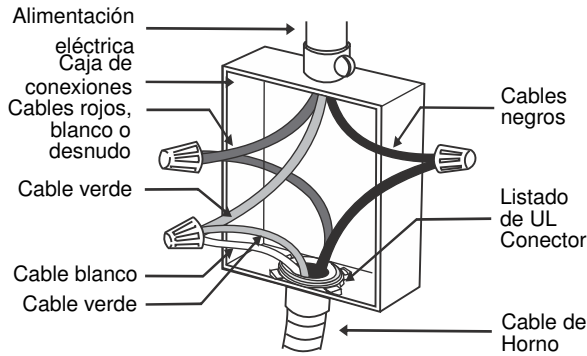
Conexión de cuatro cables (preferida)



- Conectar el cable rojo del horno al cable rojo del suministro eléctrico (cable con corriente).
- Conectar el cable negro del horno al cable negro del suministro eléctrico (cable con corriente).
- Conectar el cable neutro blanco del horno al cable neutro blanco del suministro eléctrico (no al cable de conexión a tierra desnudo o verde).
- Conectar el cable de conexión a tierra verde del horno al cable de conexión a tierra desnudo o verde del suministro eléctrico.

Conexión de tres cables

Neutro con conexión a tierra

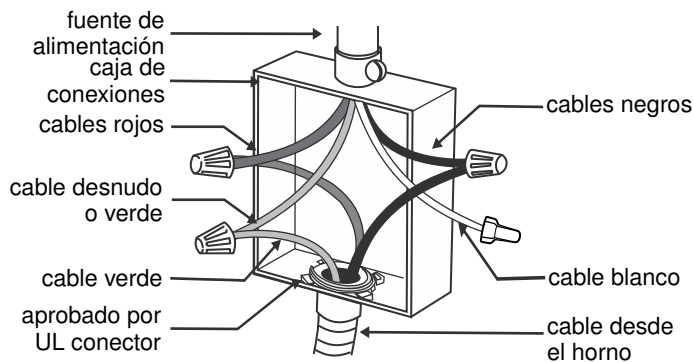


- Conectar el cable rojo del horno al cable rojo en la caja de conexiones.
- Conectar el cable negro del horno al cable negro en la caja de conexiones.
- Conectar tanto el cable de conexión a tierra verde como el cable blanco del horno al cable neutro desnudo, blanco o verde en la caja de conexiones.

El cable del conduit, donde está conectado en el horno, gira. Girar el cable del conduit hacia arriba (o hacia abajo) y dirigirlo a través del orificio preparado en el gabinete para fijarlo en la caja de conexiones.

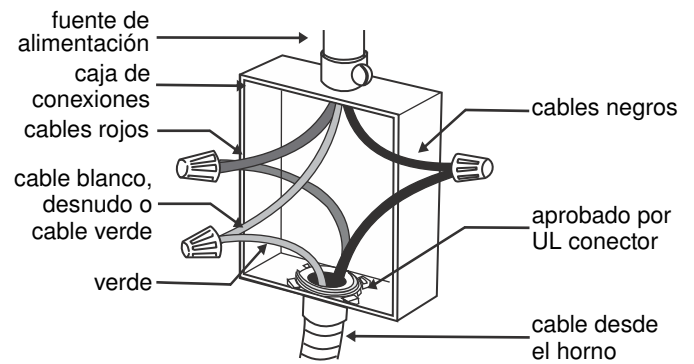
Para mantener la capacidad de servicio, el conduit flexible no se debe acortar y se debe extender para permitir la retirada temporal del horno.

Conexión de cuatro cables para horno de cocción al vapor



- Conectar el cable rojo del horno al cable rojo del suministro eléctrico (cable con corriente).
- Conectar el cable negro del horno al cable negro del suministro eléctrico (cable con corriente).
- Conectar el cable de conexión a tierra verde del horno al cable de conexión a tierra desnudo o verde del suministro eléctrico.
- Para el funcionamiento del horno no es necesario conectar el cable neutro (cable blanco).

Conexión de tres cables para horno de cocción al vapor



- Conectar el cable rojo del horno al cable rojo en la caja de conexiones.
- Conectar el cable negro del horno al cable negro en la caja de conexiones.
- Conectar el cable de conexión a tierra verde del horno al cable neutro desnudo, blanco o verde en la caja de conexiones.

El tubo pasacables, en su punto de conexión con el horno, gira. Girar el tubo pasacables hacia arriba (o hacia abajo) y dirigirlo a través del orificio preparado en el gabinete para fijarlo en la caja de conexiones.

Para mantener la capacidad de servicio, el tubo pasacables flexible no se debe acortar y se debe extender de tal forma que permita una retirada temporal del horno.

Instalar el horno

AVISO: Antes de instalar el aparato, asegúrese de verificar las dimensiones del gabinete y las conexiones eléctricas.

Para una mejor instalación

Durante la instalación, puede resultarles difícil a dos personas manipular el horno. Se recomienda que haya tres o más personas disponibles para ayudar a levantar la unidad a su lugar.

Retirar la puerta del horno durante la instalación (para tener los agarres necesarios y reducir en forma significativa el peso de la unidad) puede resultar engorroso, a menos que se sigan atentamente las instrucciones detalladas para retirar la puerta. Tómese un tiempo para leer y seguir las instrucciones proporcionadas para una mejor experiencia de instalación.

Retirar la puerta del horno

Nota: Solo se pueden quitar las puertas con bisagra inferior. No quitar las puertas con bisagra lateral o las puertas de los hornos de convección.

⚠ ATENCION

AL QUITAR LA PUERTA DEL HORNO:

- La puerta del horno es pesada y frágil. Usar las dos manos para quitar la puerta del horno. La parte frontal de la puerta tiene componentes de cristal. Manipularlos con cuidado para evitar romperlos.
- Agarrar solo los laterales de la puerta del horno. No agarrar la manija ya que puede resbalar en la mano y causar daños o lesiones.
- Si no se agarra la puerta del horno con firmeza y adecuadamente podrían producirse lesiones personales o daños en el producto.
- Para evitar lesiones al cerrarse bruscamente la placa de fijación de la bisagra, asegurarse de que las dos palancas de bloqueo estén colocadas firmemente antes de quitar la puerta. No forzar la apertura o el cierre de la puerta del horno: la bisagra podría dañarse y se podrían producir lesiones.
- No dejar la puerta extraída sobre objetos afilados o puntiagudos, ya que se podría romper el cristal. Colocar la puerta en una superficie plana y suave posicionada para que no pueda caerse.

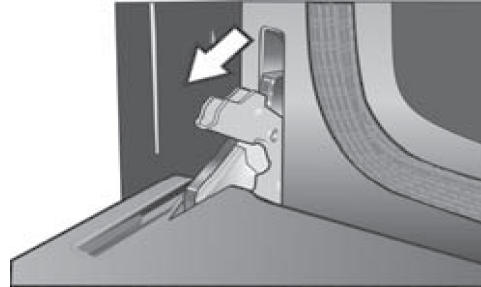
Quitar la puerta del horno inferior antes de la instalación.

Nota: No quitar las puertas de microondas, hornos rápidos, bisagras laterales, ni hornos de convección y vapor.

Se recomienda quitar la puerta del horno tradicional (inferior) para ayudar a reducir el peso de la unidad y proporcionar un acceso más fácil a las palancas de bloqueo que se encuentran en el interior del horno.

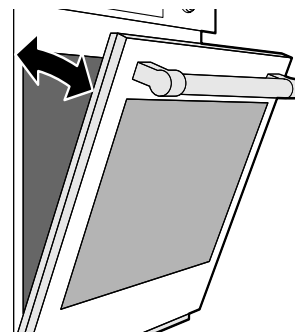
Nota: Asegurarse de leer todas las advertencias y precauciones del manual de instalación sobre el desmontaje de la puerta antes de intentar quitarla.

1. Abrir la puerta completamente y ponerla en su posición horizontal.
2. Voltear las palancas de bloqueo de las bisagras hacia uno mismo.

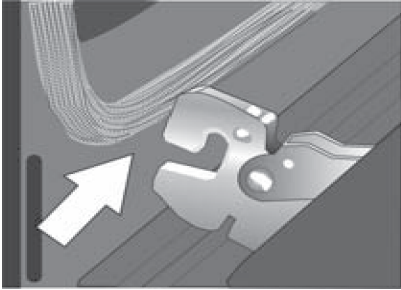


Nota: Puede ser necesario utilizar una herramienta como un desarmador para separar con cuidado la parte superior de la palanca fuera de la carcasa. Tener cuidado para evitar rayar la carcasa.

3. Cerrar la puerta del horno hasta que se enganche en las palancas de tope de la bisagra, bloqueando las bisagras en el ángulo adecuado para extraer la puerta. La puerta se abrirá aprox. 7 pulgadas en la parte superior. Esto libera la tensión del muelle de las bisagras para que la puerta se pueda extraer con facilidad.



4. Levantar con cuidado la puerta y sacarla de las ranuras de las bisagras. Sostener con firmeza; la puerta es pesada. Usar ambas manos para sujetarla con firmeza por ambos lados. No sujetar la puerta por la agarradera. Mantener el ángulo de la puerta, elevar la puerta recta aprox. 3/4" para sacar las bisagras de las ranuras y después jalar de ella hacia uno hasta que las bisagras hayan salido de la carcasa del horno.



5. Colocar la puerta en una ubicación adecuada y estable hasta estar preparado para volver a instalarla. Colocar la puerta sobre una toalla o sección de relleno para embalajes de espuma protectora para evitar daños a la puerta o al piso.



Levantar correctamente el horno de funcionamiento combinado

⚠ ATENCION

Ponerse guantes y una camiseta de manga larga para protegerse de manos y los antebrazos contra abrasiones, posibles arañazos o cortadas. Quitarse cualquier reloj o joya y llevar zapatos de trabajo para protegerse los pies.

⚠ ATENCION

Se necesitan tres personas o el equipo adecuado para levantar de forma segura el horno combinado hasta la abertura del gabinete.

AVISO: NO intentar levantar la unidad sosteniendo la pieza superior del horno.

Recomendaciones de levantamiento

Hay un reborde en todo el frontal superior de la cavidad del horno. Para levantarlo, agarrar este reborde con una mano y colocar la otra mano en la parte trasera de la unidad (con los ayudantes levantando desde los laterales de la unidad). Si hay un tercer ayudante que levanta desde el frontal, ambas manos deben sostener esta zona del reborde para levantarlo.

Puntos de agarre, puerta con bisagra inferior

Nota: Se recomienda quitar la puerta del horno para reducir el peso de la unidad y proporcionar un acceso más fácil a los asideros que se encuentran en el interior del horno.

Proceder a levantar el horno siguiendo las instrucciones de abajo una vez que se haya quitado la puerta

- Los puntos de agarre (1) en el frontal de la unidad están para levantar la unidad por los lados. El punto de agarre (3) en el frontal de la unidad está para que una tercera persona ayude a levantar la unidad.
- Los puntos de agarre (2) en la parte trasera de la unidad muestran la posición de la mano contraria para los ayudantes que levanten desde los laterales de la unidad. Ajustar la posición según sea necesario para levantarla más fácil.

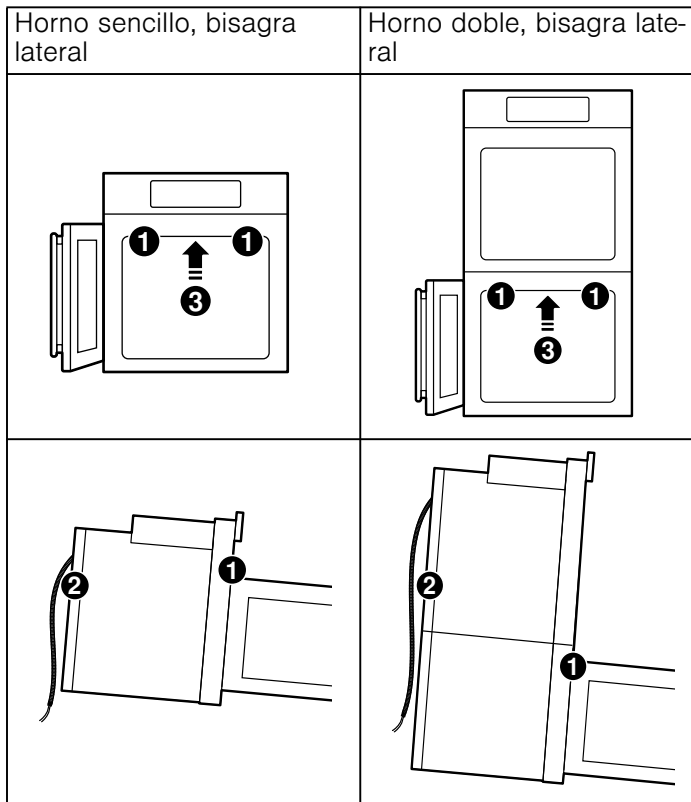
Horno sencillo, bisagra inferior	Horno doble, bisagra inferior

Puntos de agarre, puerta con bisagra lateral

Nota: No tratar de quitar la puerta con bisagra lateral.
(Los puntos de agarre son indicados para un ángulo de apertura de puerta de 90-110°).

Proceder a levantar el horno siguiendo las instrucciones de abajo con la puerta abierta en un ángulo de 90-110°:

- Los puntos de agarre (1) en el frontal de la unidad están para levantar la unidad por los lados. El punto de agarre (3) en el frontal de la unidad está para que una tercera persona ayude a levantar la unidad.
- Los puntos de agarre (2) en la parte trasera de la unidad muestran la posición de la mano contraria para los ayudantes que levanten desde los laterales de la unidad. Ajustar la posición según sea necesario para levantarla más fácil.

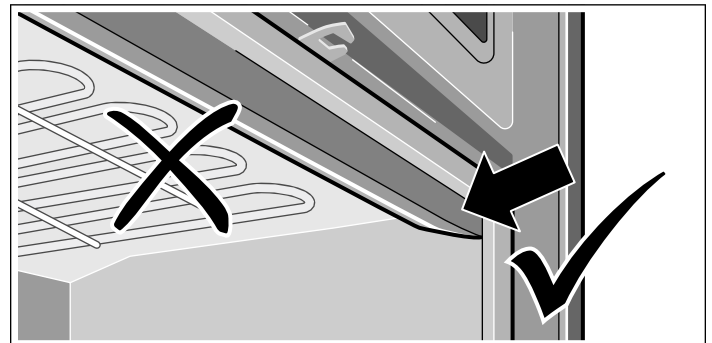


Colocar el horno en la abertura del gabinete

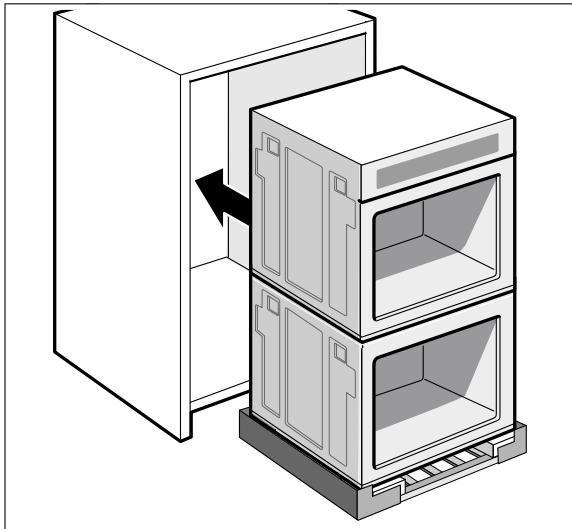
⚠ ATENCION

- Para evitar posibles daños en el piso, mantenga la unidad en su embalaje original hasta el momento inmediatamente anterior a colocar la unidad directamente en la apertura del gabinete. Evite que la base de metal de la unidad entre en contacto con el piso. Vea las siguientes instrucciones de manipulación para obtener información detallada.
- Para evitar daños en la puerta (y/o en el frente del cajón calentador para unidades combinadas) no levante, jale ni empuje la unidad durante la instalación con el asa de la puerta del horno o el asa del cajón calentador como punto de sujeción.
- Use guantes y mangas largas para proteger las manos y los antebrazos de abrasiones y posibles raspones durante el proceso de levantamiento. Quítese los relojes y las joyas, y use zapatos de trabajo durante la instalación para protegerse los pies.

Al levantar la unidad para colocarla en su sitio, evitar agarrar el elemento superior para evitar dañarlo. Ver en la siguiente ilustración el punto de levantamiento correcto.



1. La unidad y el material de embalaje bajo ella (palet) deben colocarse justo delante de la abertura del gabinete antes de comenzar a levantar la unidad para ponerla en su sitio.



2. Levantar o deslizar la unidad hasta el espacio del gabinete sin permitir que la base de la unidad entre en contacto con el piso.
3. Guiar la unidad directamente al espacio del gabinete. Empujar la unidad hacia adentro hasta que el borde del horno sobresalga unas 2 pulgadas del gabinete. Tener cuidado con no aplastar el tubo pasacables flexible entre el horno y la pared trasera del gabinete. Si es necesario, introducir el tubo conduit flexible por la pared o por el orificio de acceso del gabinete, de modo que no impida empujar la unidad hasta el fondo del espacio del gabinete. El horno debe estar recto y nivelado, no torcido.
4. Empujar la unidad hasta el fondo del espacio del gabinete hasta que su borde frontal quede al mismo nivel que el frontal del gabinete.
5. Atornillar los tornillos suministrados en los orificios roscados de la moldura (2 tornillos para hornos sencillos, 4 tornillos para hornos dobles/combinados). Se recomienda taladrar orificios de guía para los tornillos de la moldura.

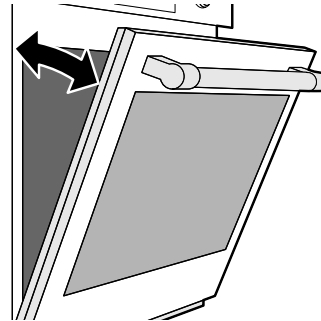
Para garantizar un correcto funcionamiento de la puerta y del horno, los tornillos deben de colocarse en el lado de la cara de la moldura lateral si se trata de una puerta tradicional con bisagra inferior, o en el lateral de la moldura si es una puerta con bisagra lateral.

6. Sustituir la puerta o puertas del horno según las siguientes instrucciones.

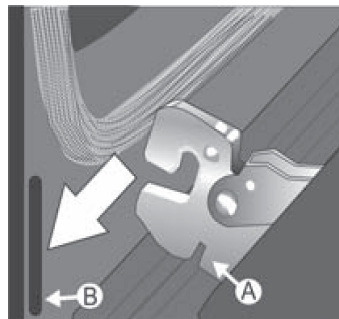
Volver a reinstalar las puertas de los hornos con bisagra inferior

Para cambiar la puerta del horno:

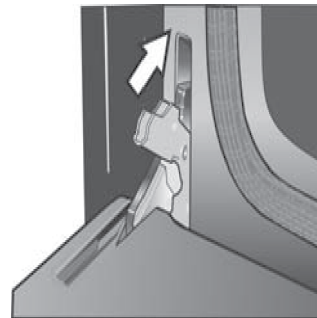
1. Sujetando la puerta con firmeza con ambas manos, tomarla por los lados. **No sujetarla por la manija.**
2. Inclinar la puerta de nuevo ligeramente hacia uno hasta que se abra aprox. 7" en la parte superior.



3. Deslizar las bisagras en las ranuras tanto como sea posible y después bajar la puerta recta hacia abajo. Puede ser necesario ajustar el ángulo de la puerta ligeramente para permitir que las bisagras encajen adecuadamente y la puerta baje hasta su lugar. La puerta debe bajar aproximadamente 3/4" y detenerse. De no ser así, las bisagras no se han enganchado correctamente y la puerta podría caer al soltarla.
4. Bajar la puerta hasta su posición de 90°, totalmente abierta. Si la puerta no se puede bajar hasta un ángulo de 90°, las bisagras no están bien puestas. La puerta debe quedar recta, no torcida.



5. Presionar las palancas de ambas bisagras hacia arriba y adelante hasta que queden bloqueadas en la ranura y alineadas con el frente del cuerpo del horno.



6. Cerrar la puerta con cuidado. Debería cerrarse completamente. Abrir y cerrar la puerta con cuidado varias veces para asegurarse de que está colocada correctamente y de forma segura.

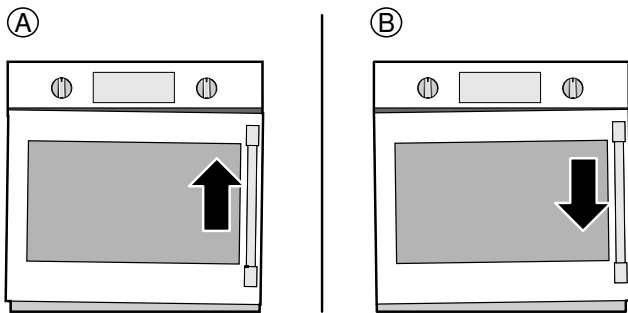
Alinear las puertas de los hornos con bisagras laterales

Nota: No alinear las puertas de los hornos con bisagras laterales hasta que la unidad esté completamente instalada en el gabinete.

Consejo: El espacio que queda entre la parte de arriba de la puerta del horno cerrada y el panel de control (o la puerta superior, si se trata de la cavidad inferior de un horno doble) debe ser igual en ambos lados.

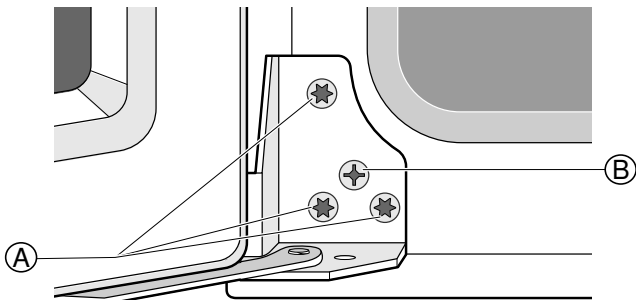
Para alinear una puerta con bisagra lateral:

1. Comprobar si la puerta de horno con bisagra lateral está bien alineada.
La puerta debería cerrarse sola con suavidad cuando el rodillo encaja en el gancho al cerrarse la puerta.
2. Fig. A: La puerta está demasiado baja si el lado de la bisagra está por encima del nivel. Se percibe un golpe cuando el gancho entra en contacto con el rodillo de alineación.
3. Fig. B: La puerta está demasiado baja si el lado del cierre está por encima del nivel. Se percibirá una interferencia entre el gancho y su enganche. Se tiene que bajar la puerta en el lado del cierre.



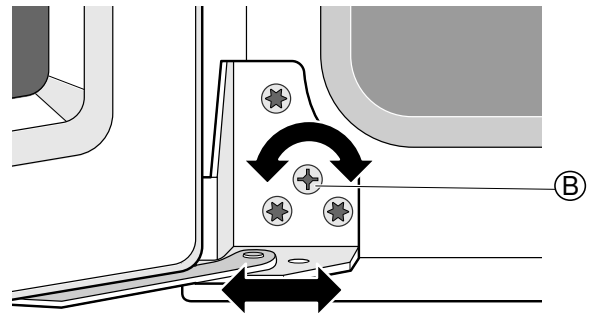
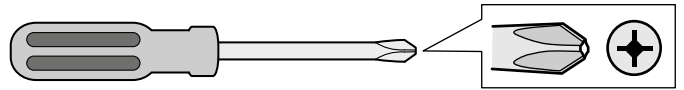
Procedimiento de alineación de las puertas con bisagra lateral

1. Abrir la puerta hasta un ángulo de aprox. 135°.
2. Mediante un desarmador Torx T20, aflojar los tres tornillos (A) de la bisagra inferior con 1 o 2 vueltas completas.



Nota: Todos los ajustes se hacen utilizando solamente la bisagra inferior. La bisagra superior está fija y no se puede ajustar.

3. Mediante un desarmador Phillips #2, girar el tornillo de leva (B) hacia el lado derecho o izquierdo para ajustar la posición de la bisagra en la dirección deseada.



Nota: 1 mm de movimiento de la bisagra (a la izquierda o a la derecha) hará que la puerta se mueva hacia arriba o hacia abajo aproximadamente 1.5 mm en el cierre.

4. Volver a apretar los tornillos antes de cerrar la puerta para probarla. Tener cuidado para no apretarlos demasiado.
5. Comprobar que la puerta está bien alineada. Repetir el proceso de ajuste en caso necesario.

Guía de solución de problemas para puertas con bisagra lateral

Guía de solución de problemas para puertas con bisagra lateral

Problema	Información adicional	Explicación	Sugerencia
La puerta no se cierra y es difícil de abrir.	Al parecer, el borde lateral de la puerta interior (en el lado de la manija) hace contacto con la moldura lateral de la unidad.	La instalación hace que la moldura lateral se empuje demasiado hacia adentro.	<ul style="list-style-type: none">• Comprobar la instalación de la unidad en el gabinete. Probar a mover la unidad en el gabinete hacia el lado de las bisagras para permitir que la moldura lateral que provoca el problema se abra.• Ajustar la ubicación de los tornillos de la moldura lateral para mantenerla separada de la puerta.• Comprobar que la abertura del gabinete no sea demasiado estrecha. Ampliar el espacio en caso necesario.
La puerta no permanece cerrada.	Se necesita muy poca fuerza para abrir la puerta.	El mecanismo de cierre interno de la puerta se activó accidentalmente mientras la puerta estaba abierta.	<ul style="list-style-type: none">• Para volver a encajar el mecanismo, cerrar la puerta completamente y, mientras está cerrada, empujar la manija de la puerta firmemente hasta que el mecanismo vuelva a encajar.• Abrirla para probar.

La puerta no se cierra suavemente encajando en el gancho. Una vez cerrada, la puerta se abre sin problemas.

- Cuando se cierra la puerta hacia el gancho, la puerta se levanta.
- Se percibe un ligero golpe cuando el rodillo (interno de la puerta) choca con la punta del gancho y levanta la puerta.
- Si la puerta tiene que levantarse considerablemente, ya no se podrá cerrar sola y necesitará que alguien la empuje para cerrarse totalmente.

- La puerta está alineada demasiado abajo para encajar correctamente con el gancho.
- Consultar la sección sobre la *alineación de las puertas con bisagra lateral* para obtener instrucciones.

- Consultar la sección *Procedimiento de alineación de las puertas con bisagra lateral* para levantar el lado de la manija hasta que la puerta se cierre con facilidad.
- La puerta debería abrirse y poder cerrarse sola suavemente sin oír ni sentir ninguna interferencia.

La puerta no se cierra suavemente encajando en el gancho. Una vez cerrada, puede parecer que la puerta se queda pegada al intentar abrirla.

Al intentar abrir la puerta, se siente un interferencia que agarra la puerta y puede impedir que se abra. Se siente una interferencia similar al cerrarla.

- La puerta está alineada demasiado arriba para encajar correctamente con el gancho.
- Consultar la sección sobre la *alineación de las puertas con bisagra lateral* para obtener instrucciones.

- Hacer presión hacia abajo en la manija al jalar.
- Consultar la sección *Procedimiento de alineación de las puertas con bisagra lateral* para bajar el lado de la manija.
- La puerta debería abrirse y poder cerrarse sola suavemente sin oír ni sentir ninguna interferencia.

Funcionamiento de prueba

1. Conectar la energía en el breaker.
2. Probar el modo horno.
Seleccionar el modo BAKE (horneado). Consultar el Manual de Uso y Cuidado para obtener instrucciones detalladas del funcionamiento.
3. Verificar que la luz del horno se encienda y que el horno comience a precalentar.
4. Probar el cierre de la puerta.
Seleccionar el modo SELF CLEAN (autolimpieza). Confirmar que cuando la puerta se bloquea aparece el símbolo de bloqueo en el display.
5. Si se está instalando un horno doble, probar el segundo horno también.
6. Si alguna de las pruebas no resulta como se explicó anteriormente, contactar con el servicio técnico para obtener ayuda. O si todo está bien, la instalación se ha completado en este momento.

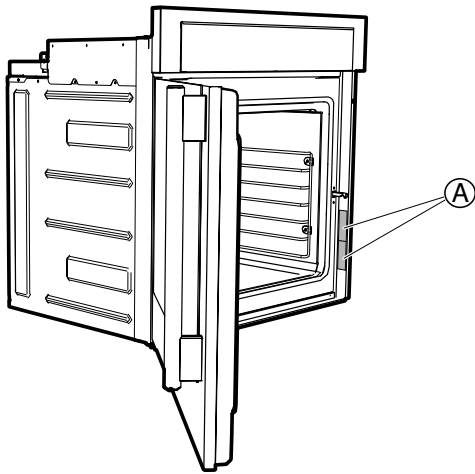
Servicio

Antes de llamar al servicio técnico

No quitar la etiqueta de clasificación, ya que hacerlo podría invalidar la garantía del producto.

Horno sencillo, bisagra lateral

Las etiquetas de clasificación (A) están en el lado opuesto a la bisagra de la puerta. En las puertas con bisagra a la izquierda, las etiquetas de clasificación están en la moldura del lado derecho de la puerta. En las puertas con bisagra a la derecha, las etiquetas de clasificación están en la moldura del lado izquierdo de la puerta.



Ubicación de la etiqueta de clasificación

A	Etiqueta de clasificación
---	---------------------------

Número de modelo y número FD

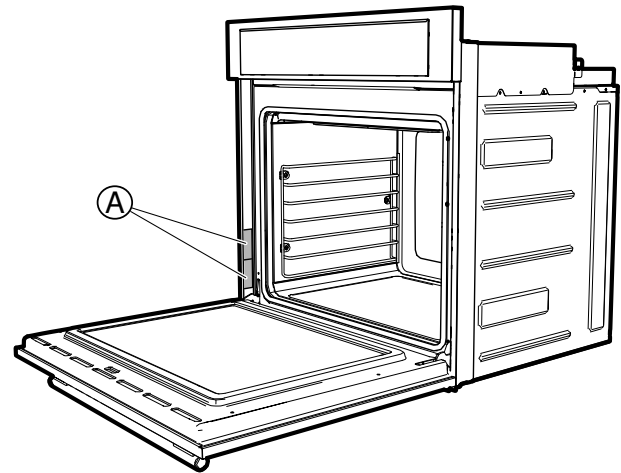
El número de modelo y el número FD del electrodoméstico se pueden ver en la etiqueta de clasificación. Apuntar esos números en el espacio para ahorrar tiempo en caso de que el electrodoméstico necesite servicio técnico.

Modelo #	FD #
Thermador Servicio de Asistencia Técnica	800-735-4328

Conservar la factura o los documentos de compra que confirmen la validación de la garantía, en caso de que el aparato necesite ser reparado.

Horno sencillo, bisagra inferior

Las etiquetas de clasificación (A) están en el lado izquierdo de la moldura de la puerta.



Ubicación de la etiqueta de clasificación

A	Etiqueta de clasificación
---	---------------------------

Número de modelo y número FD

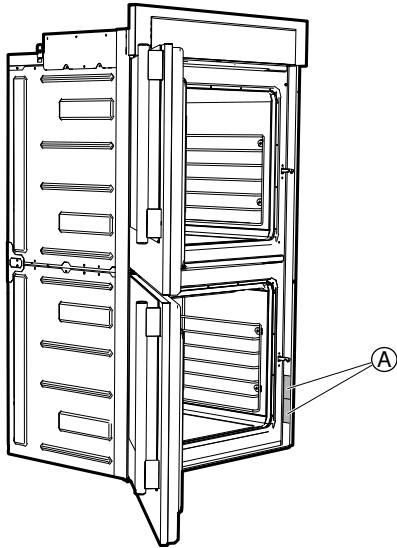
El número de modelo y el número FD del electrodoméstico se pueden ver en la etiqueta de clasificación. Apuntar esos números en el espacio para ahorrar tiempo en caso de que el electrodoméstico necesite servicio técnico.

Modelo #	FD #
Thermador Servicio de Asistencia Técnica	800-735-4328

Conservar la factura o los documentos de compra que confirmen la validación de la garantía, en caso de que el aparato necesite ser reparado.

Horno doble, bisagra lateral

Las etiquetas de clasificación (A) están en el lado opuesto a la bisagra de la puerta. En las puertas con bisagra a la izquierda, las etiquetas de clasificación están en la moldura del lado derecho de la puerta. En las puertas con bisagra a la derecha, las etiquetas de clasificación están en la moldura del lado izquierdo de la puerta.



Ubicación de la etiqueta de clasificación

A	Etiqueta de clasificación
---	---------------------------

Número de modelo y número FD

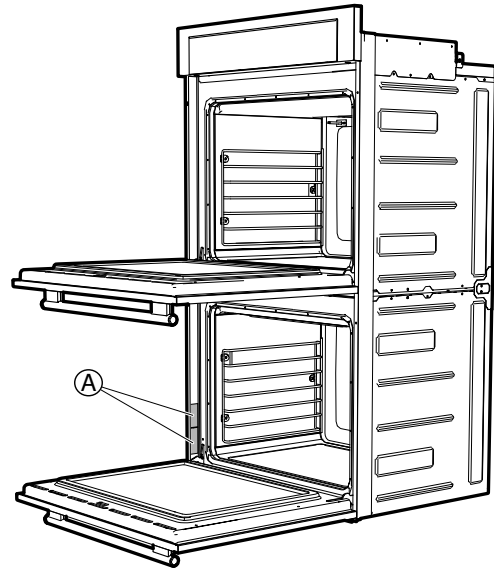
El número de modelo y el número FD del electrodoméstico se pueden ver en la etiqueta de clasificación. Apuntar esos números en el espacio para ahorrar tiempo en caso de que el electrodoméstico necesite servicio técnico.

Modelo #	FD #
Thermador Servicio de Asistencia Técnica	800-735-4328

Conservar la factura o los documentos de compra que confirmen la validación de la garantía, en caso de que el aparato necesite ser reparado.

Horno doble, bisagra inferior

Las etiquetas de clasificación (A) están en el lado izquierdo de la moldura de la puerta de la cavidad del horno inferior.



Ubicación de la etiqueta de clasificación

A	Etiqueta de clasificación
---	---------------------------

Número de modelo y número FD

El número de modelo y el número FD del electrodoméstico se pueden ver en la etiqueta de clasificación. Apuntar esos números en el espacio para ahorrar tiempo en caso de que el electrodoméstico necesite servicio técnico.

Modelo #	FD #
Thermador Servicio de Asistencia Técnica	800-735-4328

Conservar la factura o los documentos de compra que confirmen la validación de la garantía, en caso de que el aparato necesite ser reparado.

Requisitos del gabinete

Los materiales del gabinete deben ser resistentes a las altas temperaturas que conlleva el uso de un horno. El propietario es el responsable de comprobar la idoneidad de los materiales del gabinete antes de la instalación y utilización del horno.

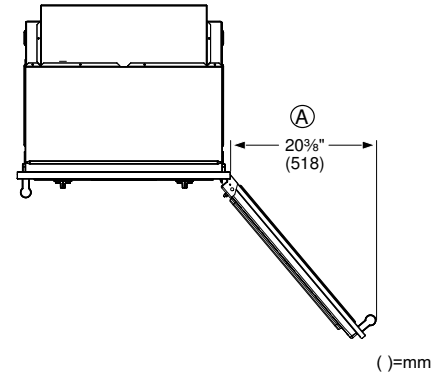
Las dimensiones de debajo del horno son orientativas y se pueden ajustar en función de las necesidades de cada aplicación particular. Consultar a un profesional del diseño para optimizarlas según las preferencias personales.

Los requisitos del gabinete son distintos en función del modelo que se va a instalar. Consultar el capítulo acerca de las *dimensiones del electrodoméstico y del espacio para el gabinete* para obtener más información sobre el modelo concreto.

Requisitos aplicables a todos los modelos:

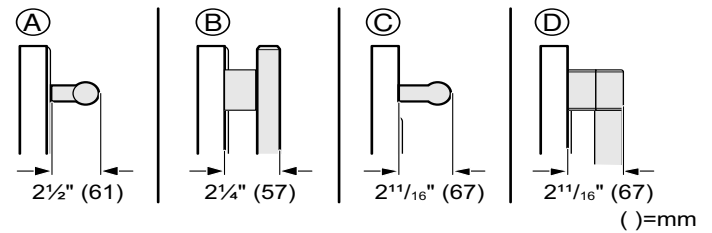
- Separación de 1/4" (6.4 mm) entre el costado del horno y una pared adyacente o una puerta de gabinete cuando se instala en el extremo de la serie de gabinetes.
- Se necesita un orificio de 2" para pasar el tubo pasacables que va a la caja de conexiones.
- La caja de conexiones debe instalarse de acuerdo con las ubicaciones especificadas, que se pueden encontrar en las instrucciones de instalación correspondientes a las medidas específicas.
- La base del gabinete debe ser plana y capaz de soportar el peso del horno cuando esté en uso (varía en función del modelo, 429 libras como máximo [195 kg]). Consultar el peso apropiado para el modelo en la zona de **AVISOS** al principio de la sección dedicada a cada modelo.
- Asegurarse de que quede un espacio de separación mínimo de 1/4" (6 mm) a ambos lados de la puerta del horno con respecto a los gabinetes, puertas, paredes, etc. adyacentes para evitar que choquen accidentalmente con la puerta del horno en algún punto de su recorrido al abrirse o cerrarse.
- Asegurarse de que la estructura del piso del gabinete soporte adecuadamente todo el peso del horno desde abajo. Se recomienda la instalación de (2) guías de 2x4 que vayan de la parte frontal a la parte posterior del gabinete y que dispongan del soporte adecuado dentro de este. La separación entre las guías debe corresponder con la anchura del aparato para que sobre ellas se apoyen los bordes izquierdo y derecho de la base del horno.

Nota: Al instalar un horno con bisagra lateral, dejar como mínimo un espacio de 10" (254 mm) para permitir que la puerta se abra.



A	Puerta totalmente abierta
---	---------------------------

Profundidad del asa de la puerta



A	Asa de la serie Masterpiece
B	Asa de los hornos de bisagra lateral de la serie Masterpiece
C	Asa de la serie Professional
D	Asa de los hornos de bisagra lateral de la serie Professional

Nota: Medida en que sobresale el asa del exterior de la puerta. No incluye el grosor de la puerta.

Dimensiones del electrodoméstico y del hueco para el gabinete

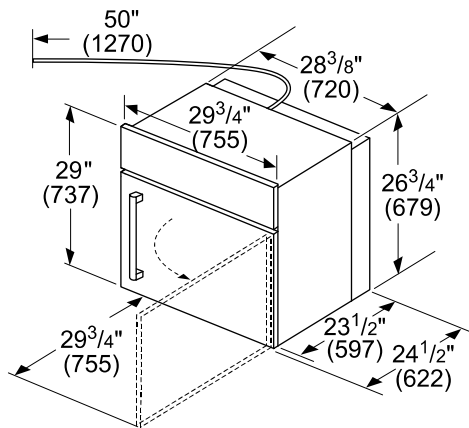
Medidas para unidades de horno sencillo

AVISO

- Se necesita un agujero de 2" para el tubo conduit pasacables que va a la caja de conexiones.
- La base del gabinete debe ser plana y capaz de soportar un peso de, al menos, 232 libras (105 kg).
- Las dimensiones de debajo del horno son orientativas y se pueden ajustar en función de las necesidades de cada aplicación particular. Consultar a un profesional del diseño para optimizarlas según las preferencias personales.

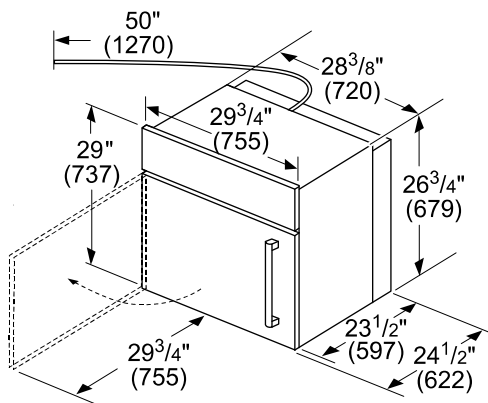
Instalación en pared del horno individual

Horno individual, bisagra a la derecha



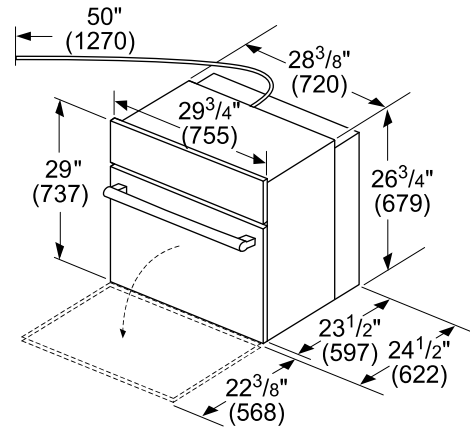
()=mm

Horno individual, bisagra a la izquierda



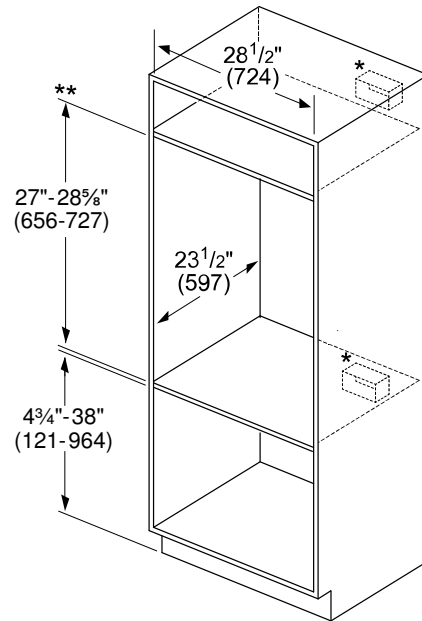
()=mm

Horno individual, bisagra inferior



()=mm

Instalación en pared del horno individual



()=mm

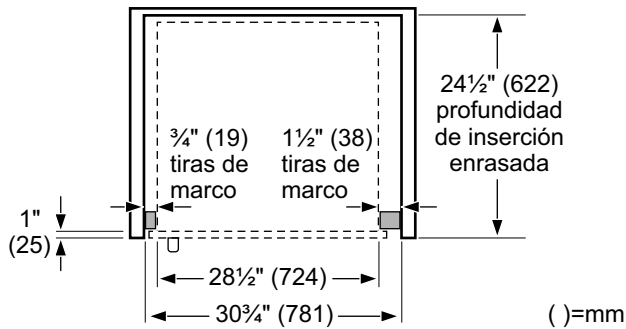
*En el caso de hornos individuales instalados en gabinetes de pared, la caja de conexiones puede estar ubicada encima, debajo, a la izquierda o a la derecha de la unidad siempre que esté al alcance del cable eléctrico.

**Para instalar el horno en un gabinete de pared, la superposición del panel de control es de un mínimo de ³/₈" (10 mm) a un máximo de 1¹/₄" (25 mm).

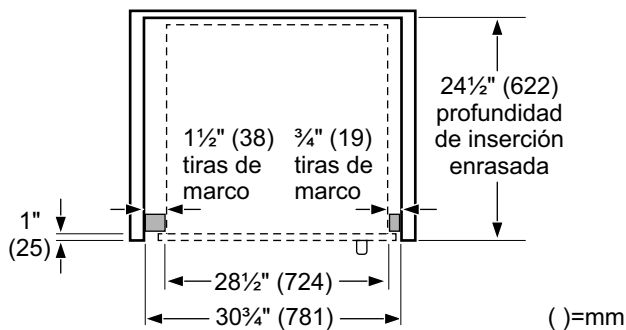
Instalación enrasada del horno individual

La instalación enrasada necesita dos refuerzos laterales fijados dentro del marco del gabinete, empotrados desde la parte delantera.

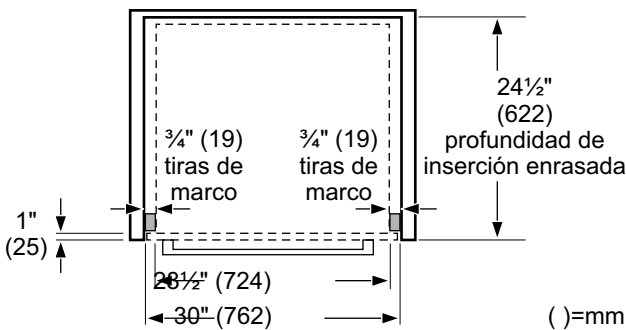
Puerta con bisagra a la derecha, vista superior



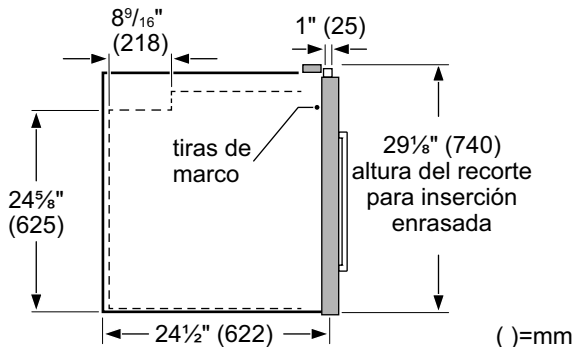
Puerta con bisagra a la izquierda, vista superior



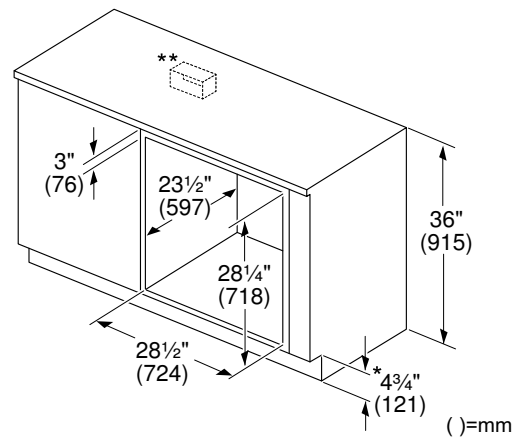
Puerta con bisagra inferior, vista superior



Vista lateral: bisagras a la derecha, izquierda e inferior



Medidas para la instalación debajo de la cubierta



* Incluye una placa de base de $\frac{3}{4}$ " (19 mm).

**En el caso de hornos sencillos instalados debajo de la cubierta, la caja de conexiones debe estar ubicada a la izquierda o a la derecha de la unidad, al alcance del cable eléctrico.

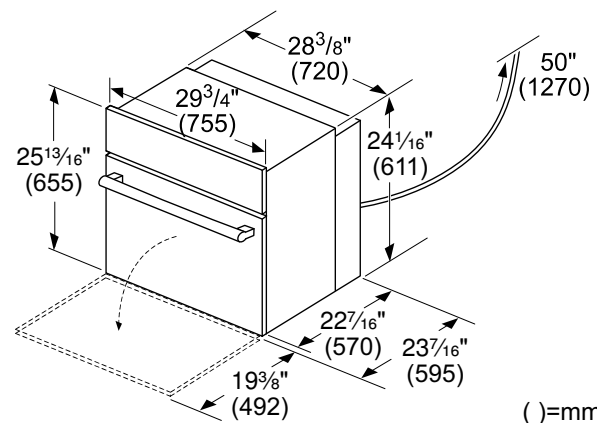
Medidas para unidades de horno de vapor y convección

AVISO

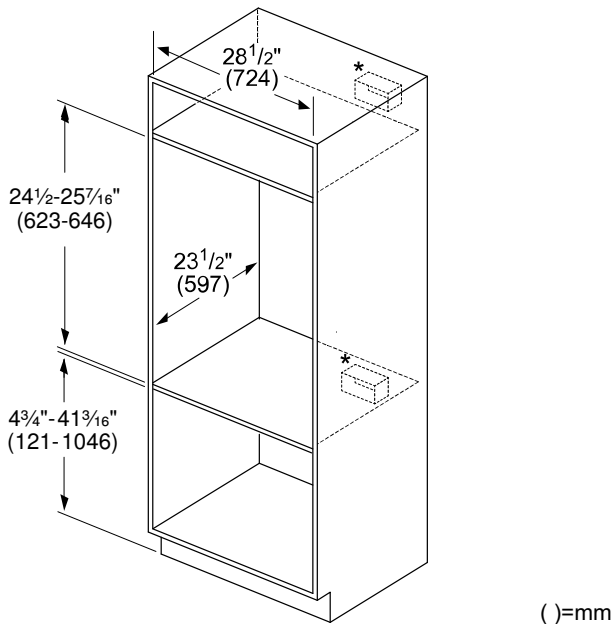
- Se necesita un agujero de 2" para el tubo conduit pasacables que va a la caja de conexiones.
- La base del gabinete debe ser plana y capaz de soportar un peso de, al menos, 232 libras (105 kg).
- Las dimensiones de debajo del horno son orientativas y se pueden ajustar en función de las necesidades de cada aplicación particular. Consultar a un profesional del diseño para optimizarlas según las preferencias personales.

Instalación en pared del horno de convección y vapor

Horno de vapor y convección con bisagra inferior



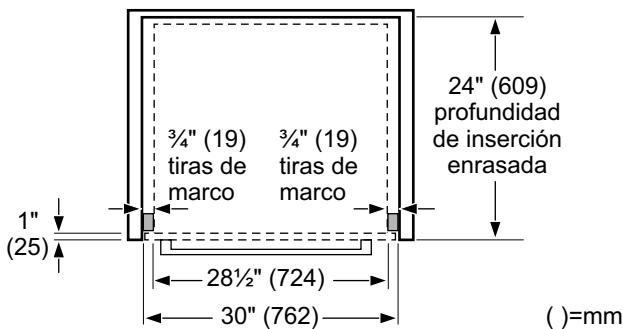
Instalación en pared



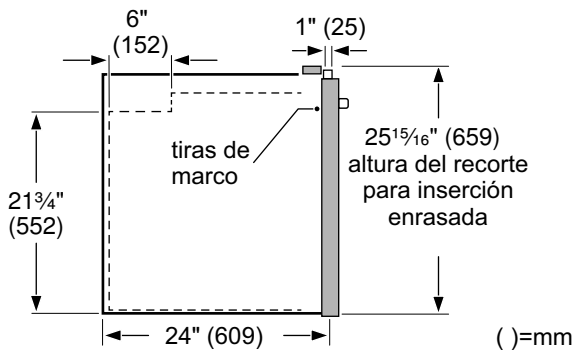
*En el caso de hornos sencillos instalados en gabinetes de pared, la caja de conexiones puede estar ubicada encima, debajo, a la izquierda o a la derecha de la unidad siempre que esté al alcance del cable eléctrico.

Instalación enrasada del horno de convección y vapor

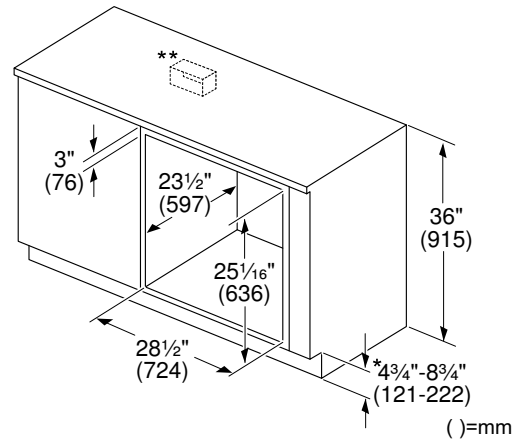
Puerta con bisagra inferior, vista superior



Puerta con bisagra inferior, vista lateral



Medidas para la instalación debajo de la cubierta



*Incluye una placa de base de 3/4" (19 mm).

**En el caso de hornos sencillos instalados debajo de la cubierta, la caja de conexiones debe estar ubicada a la izquierda o a la derecha de la unidad, al alcance del cable eléctrico.

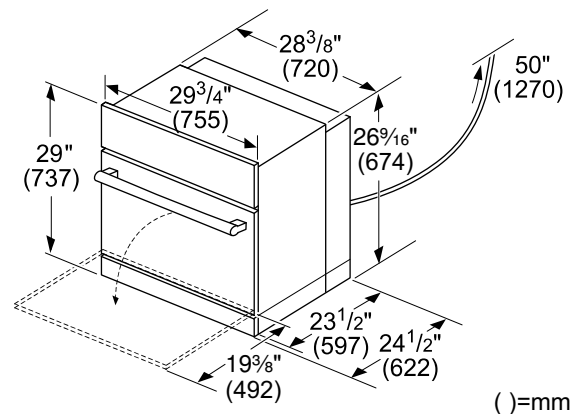
Medidas para hornos de convección y vapor con cajón de almacenamiento

AVISO

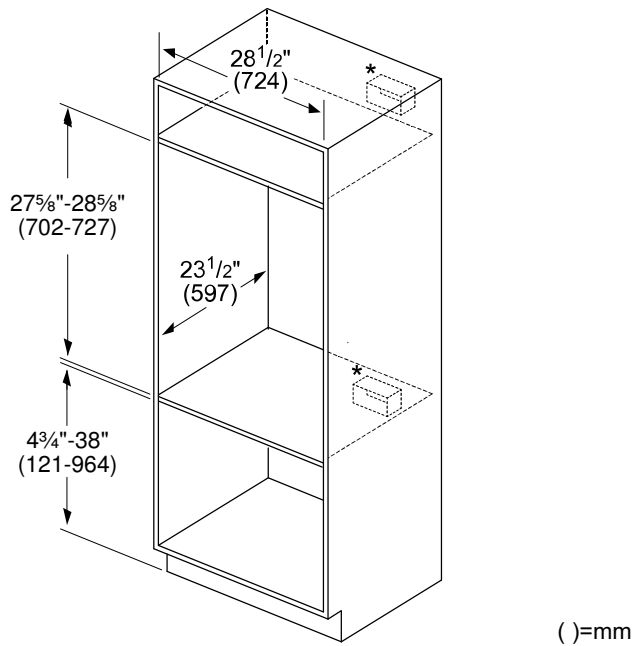
- Se necesita un agujero de 2" para el tubo conduit pasacables que va a la caja de conexiones.
- La base del gabinete debe ser plana y capaz de soportar un peso de, al menos, 232 libras (105 kg).
- Las dimensiones de debajo del horno son orientativas y se pueden ajustar en función de las necesidades de cada aplicación particular. Consultar a un profesional del diseño para optimizarlas según las preferencias personales.

Instalación en pared del horno de convección y vapor con cajón de almacenamiento

Hornos de convección y vapor con cajón de almacenamiento



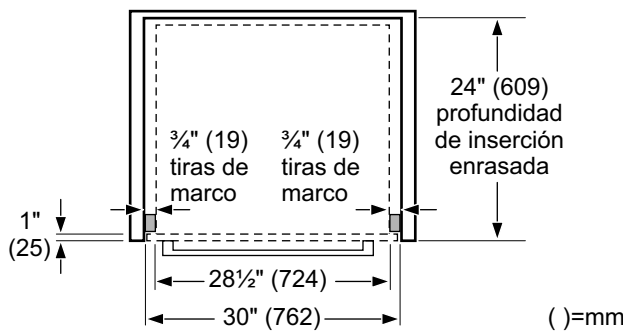
Instalación en pared del horno de convección y vapor con cajón de almacenamiento



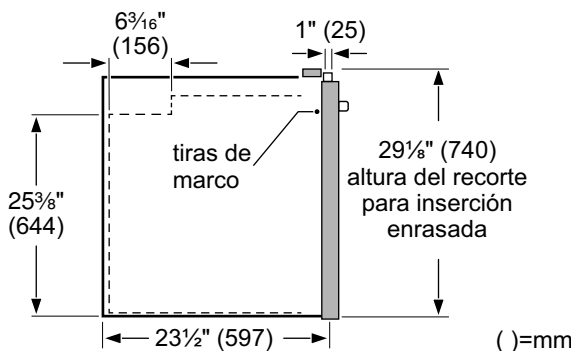
*En el caso de hornos sencillos instalados en gabinetes de pared, la caja de conexiones puede estar ubicada encima, debajo, a la izquierda o a la derecha de la unidad siempre que esté al alcance del cable eléctrico.

Instalación enrasada del horno de convección y vapor con cajón de almacenamiento

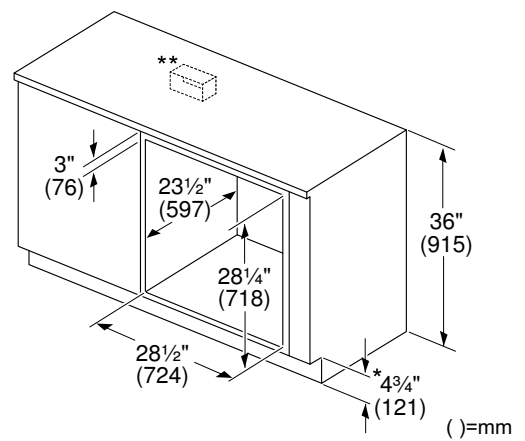
Puerta con bisagra inferior, vista superior



Vista lateral: Horno de convección y vapor sobre cajón de almacenamiento



Instalación debajo de la cubierta del horno de vapor con cajón de almacenamiento



* Incluye una placa de base de 3/4" (19 mm).

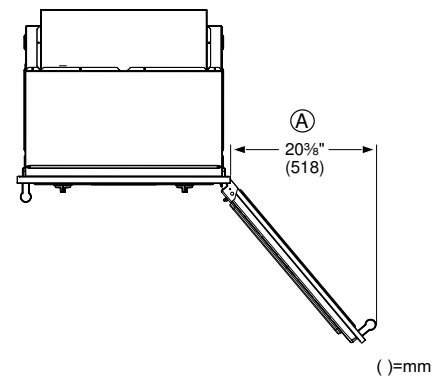
**En el caso de hornos sencillos instalados debajo de la cubierta, la caja de conexiones debe estar ubicada a la izquierda o a la derecha de la unidad, al alcance del cable eléctrico.

Medidas para unidades de horno doble

AVISO

- Se necesita un agujero de 2" para el tubo conduit pasacables que va a la caja de conexiones.
- La base del gabinete debe ser plana y capaz de soportar un peso de, al menos, 429 libras (195 kg).
- Las dimensiones de debajo del horno son orientativas y se pueden ajustar en función de las necesidades de cada aplicación particular. Consultar a un profesional del diseño para optimizarlas según las preferencias personales.

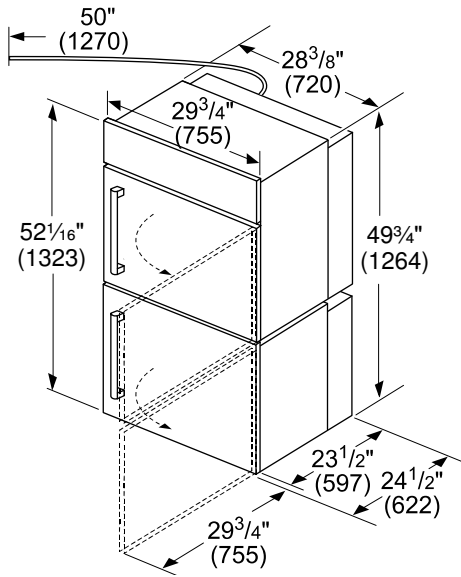
Nota: Al instalar un horno con bisagra lateral, dejar como mínimo un espacio de 10" (254 mm) para permitir que la puerta se abra.



A Puerta totalmente abierta

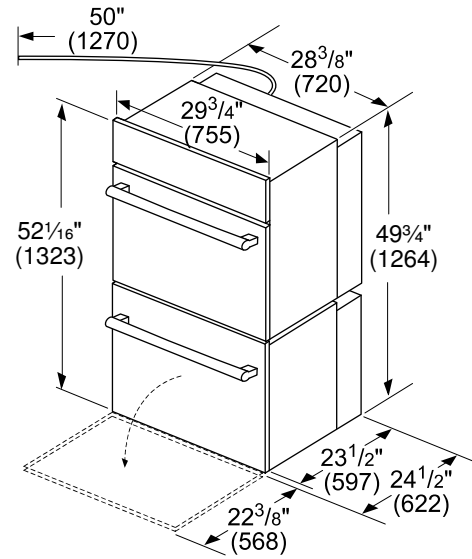
Instalación en pared del horno doble

Horno doble, bisagra derecha



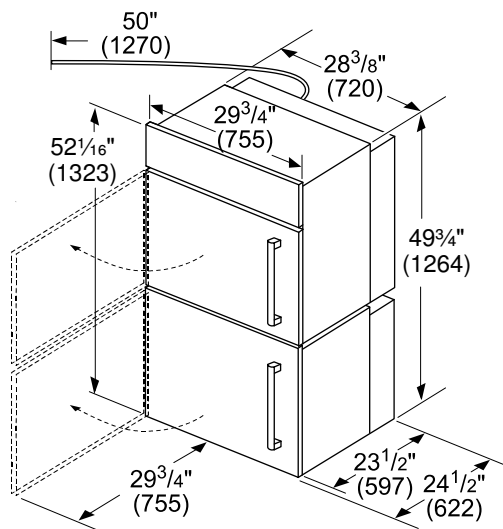
()=mm

Horno doble, bisagra inferior



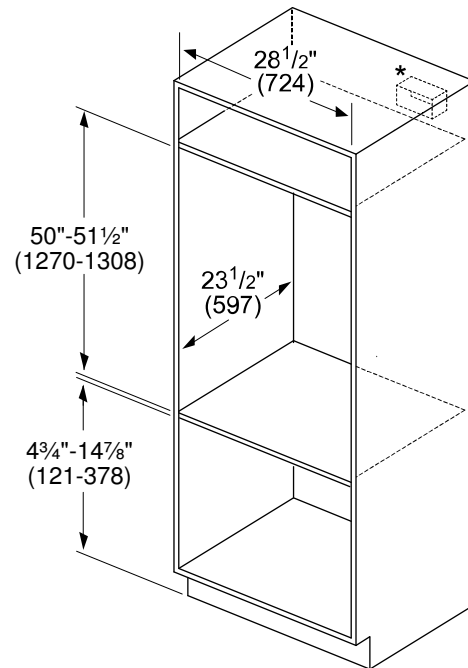
()=mm

Horno doble, bisagra izquierda



()=mm

Instalación en pared del horno doble



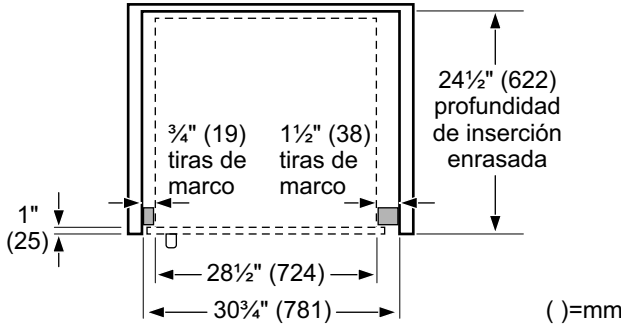
()=mm

Nota: *La caja de conexiones puede estar instalada encima, debajo, a la izquierda o a la derecha de la unidad, al alcance del cable eléctrico.

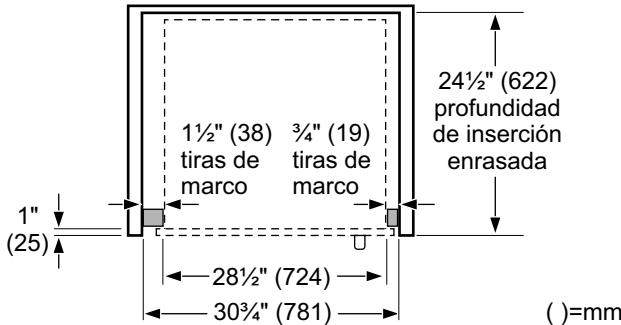
Instalación enrasada del horno doble

La instalación enrasada necesita dos refuerzos laterales fijados dentro del marco del gabinete, empotrados desde la parte delantera.

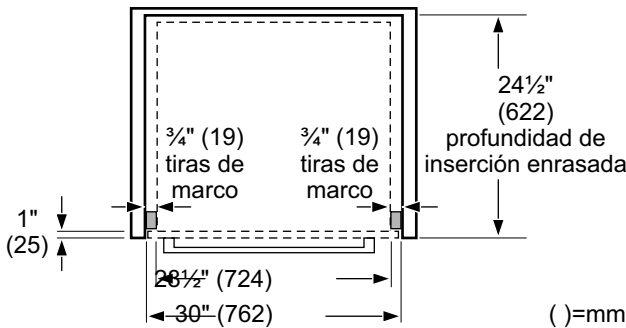
Puerta con bisagra a la derecha, vista superior



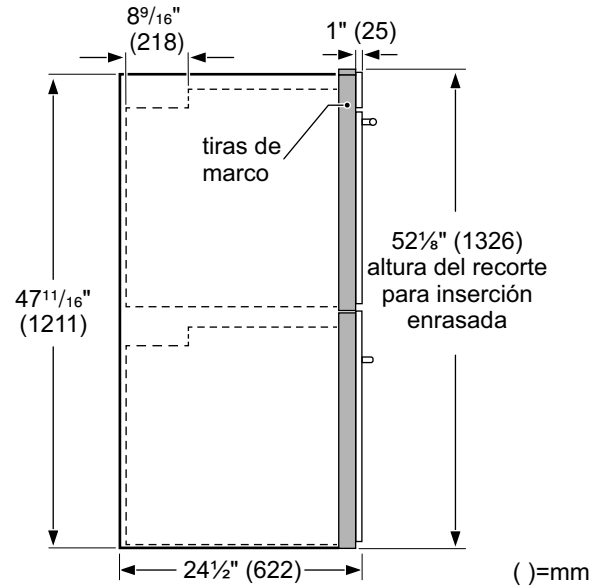
Puerta con bisagra a la izquierda, vista superior



Puerta con bisagra inferior, vista superior



Vista lateral: bisagras a la derecha, izquierda e inferior

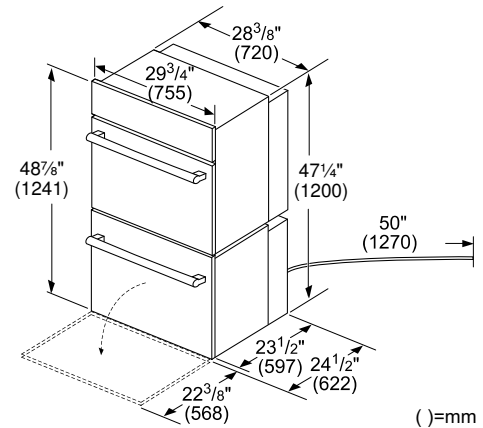


Medidas para unidades de horno combinado con horno de vapor y convección

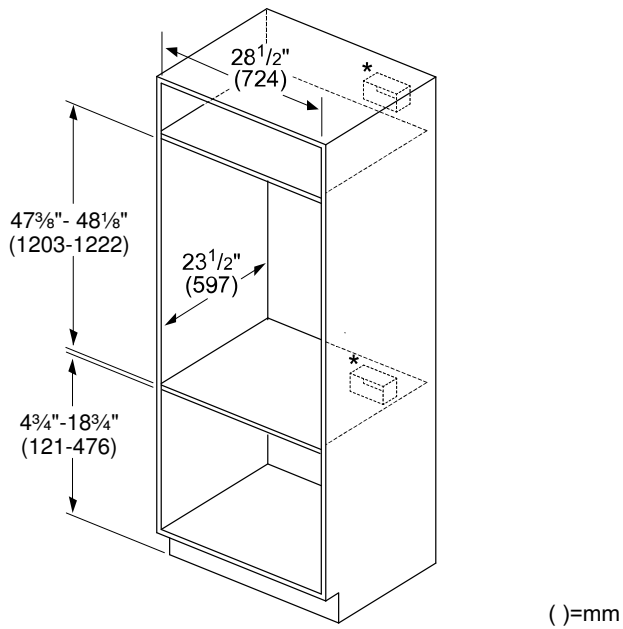
AVISO

- Se necesita un agujero de 2" para el tubo conduit pasacables que va a la caja de conexiones.
- La base del gabinete debe ser plana y capaz de soportar un peso de, al menos, 429 libras (195 kg).
- Las dimensiones de debajo del horno son orientativas y se pueden ajustar en función de las necesidades de cada aplicación particular. Consultar a un profesional del diseño para optimizarlas según las preferencias personales.

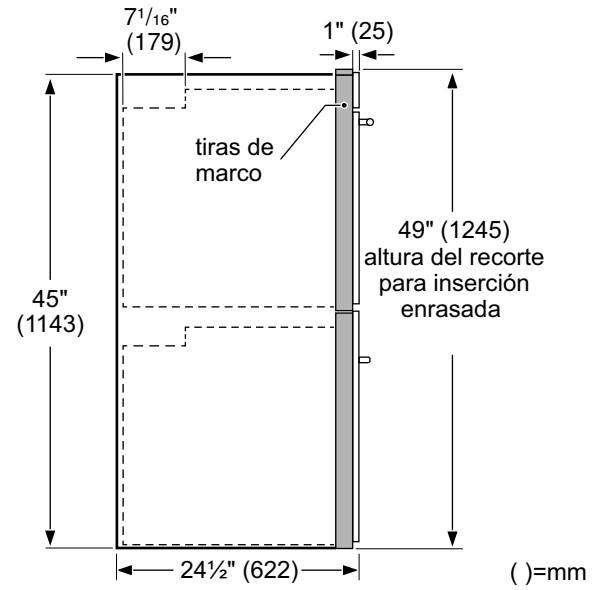
Instalación en pared del horno combinado con horno de vapor y convección



Instalación en pared



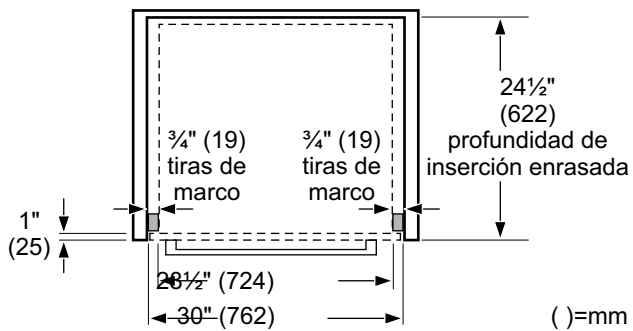
Vista lateral del horno combinado con horno de vapor y aire caliente



*La caja de conexiones puede estar instalada encima, debajo, a la izquierda o a la derecha de la unidad, al alcance del cable eléctrico.

Instalación enrasada del horno combinado con horno de vapor y aire caliente

Puerta con bisagra inferior, vista superior

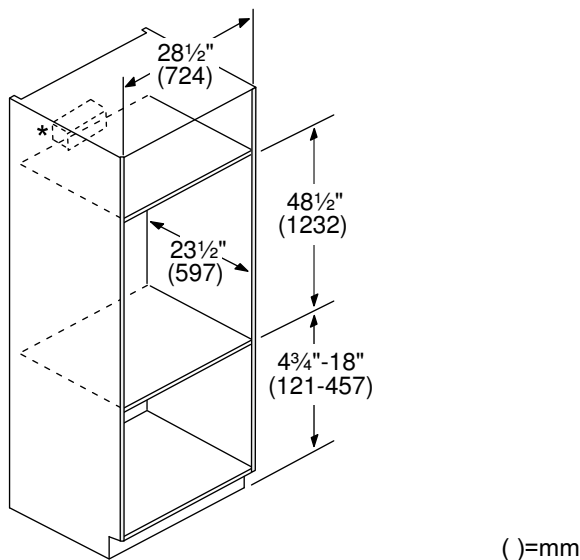
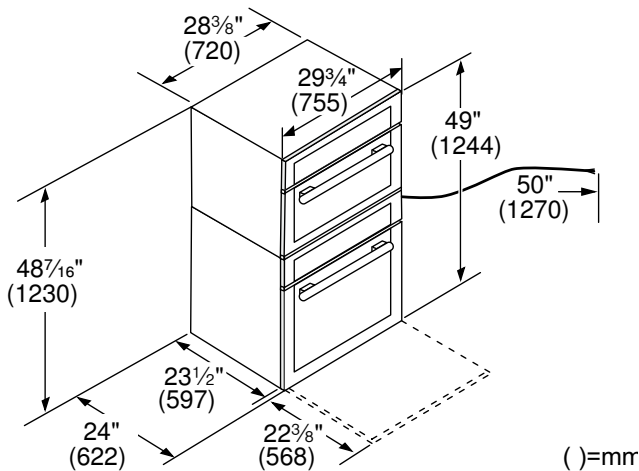


Medidas del horno combinado con microondas u horno rápido

AVISO

- Se necesita un agujero de 2" para el tubo conduit pasacables que va a la caja de conexiones.
- La base del gabinete debe ser plana y capaz de soportar un peso de, al menos, 322 libras (146 kg).
- Las dimensiones de debajo del horno son orientativas y se pueden ajustar en función de las necesidades de cada aplicación particular. Consultar a un profesional del diseño para optimizarlas según las preferencias personales.

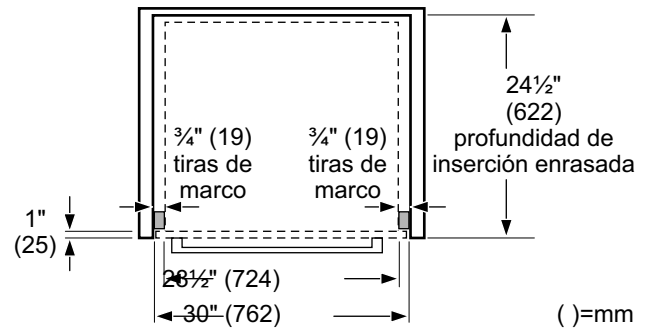
Horno combinado con microondas u horno rápido



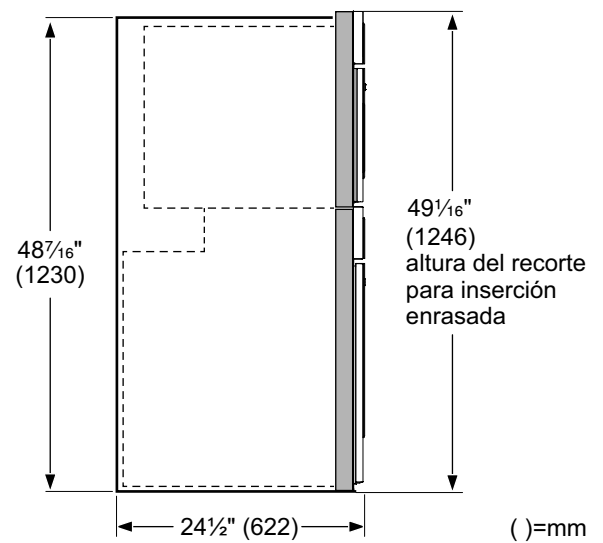
*La caja de conexiones puede estar instalada encima, debajo, a la izquierda o a la derecha de la unidad, al alcance del cable eléctrico.

Instalación enrasada del horno combinado con microondas u horno rápido

Puerta con bisagra inferior, vista superior



Vista lateral del horno combinado con microondas u horno rápido

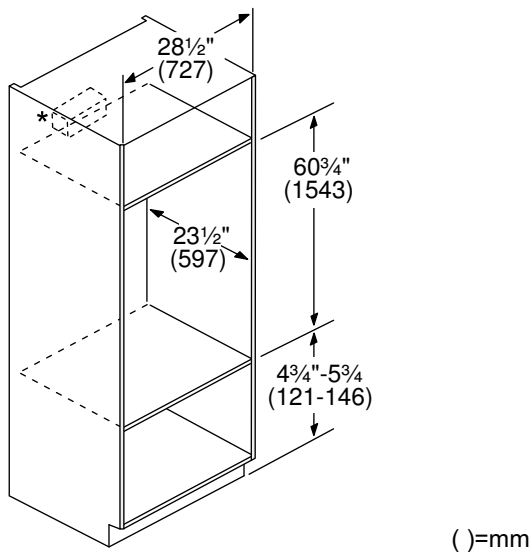
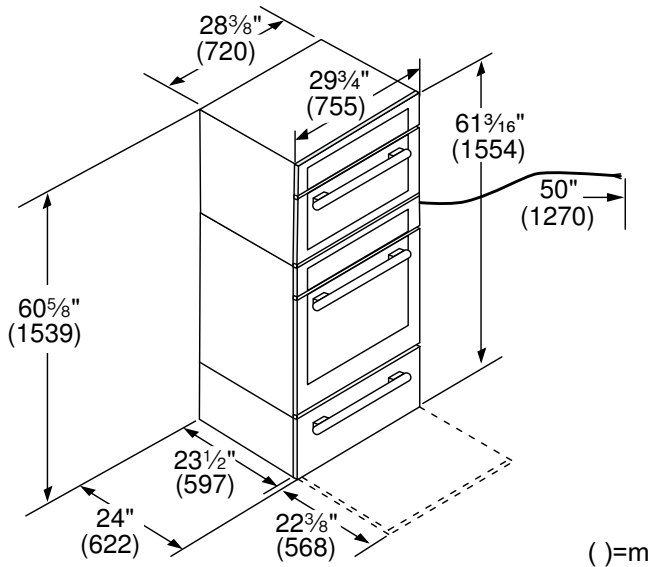


Medidas del horno triple con horno rápido y cajón calentaplatos

AVISO

- Se necesita un agujero de 2" para el tubo conduit pasacables que va a la caja de conexiones.
- La base del gabinete debe ser plana y capaz de soportar un peso de, al menos, 429 libras (195 kg).
- Las dimensiones de debajo del horno son orientativas y se pueden ajustar en función de las necesidades de cada aplicación particular. Consultar a un profesional del diseño para optimizarlas según las preferencias personales.

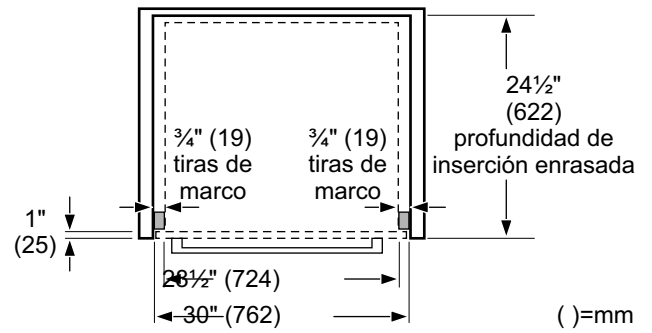
Horno sencillo con horno rápido y cajón calentaplatos



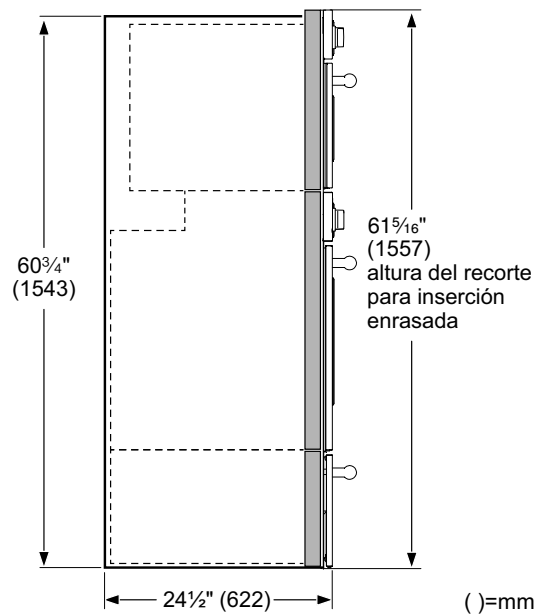
*La caja de conexiones puede estar instalada encima, a la izquierda o a la derecha de la unidad, al alcance del cable eléctrico.

Instalación enrasada del horno individual con horno rápido y cajón calentaplatos

Puerta con bisagra inferior, vista superior



Vista lateral del horno individual con horno rápido y cajón calentaplatos



Soporte técnico de THERMADOR®

Servicio técnico

Sabemos que usted ha realizado una inversión considerable en su cocina. Nos dedicamos a brindar apoyo técnico para usted y su electrodoméstico de manera que tenga muchos años de cocina creativa.

No dude en comunicarse con nuestro Departamento de Atención al Cliente de STAR® si tiene alguna pregunta o en el caso poco probable de que su electrodoméstico THERMADOR® necesite servicio técnico. Nuestro equipo de servicio técnico está listo para asistirlo.

EE. UU.

800-735-4328

www.thermador.com/support

Canadá

800-735-4328

www.thermador.ca

Piezas y accesorios

Puede comprar piezas, filtros, productos para eliminar el sarro, limpiadores para acero inoxidable y más artículos en la tienda electrónica de THERMADOR® o por teléfono.

EE. UU.

<http://store.thermador.com/us>

Canadá

- Si usted vive en alguna de las provincias atlánticas, Ontario o Quebec: contacte el

Marcone

1-800-287-1627

- Si usted vive en algún territorio, Manitoba, Saskatchewan, Alberta o Columbia Británica: contacte el

Reliable Parts

1-800-663-6060



1901 MAIN STREET, SUITE 600 IRVINE, CA 92614 // 1-800-735-4328 // WWW.THERMADOR.COM
© 2018 BSH HOME APPLIANCES CORPORATION
9001254703 en-us, es-mx, fr-ca 980409