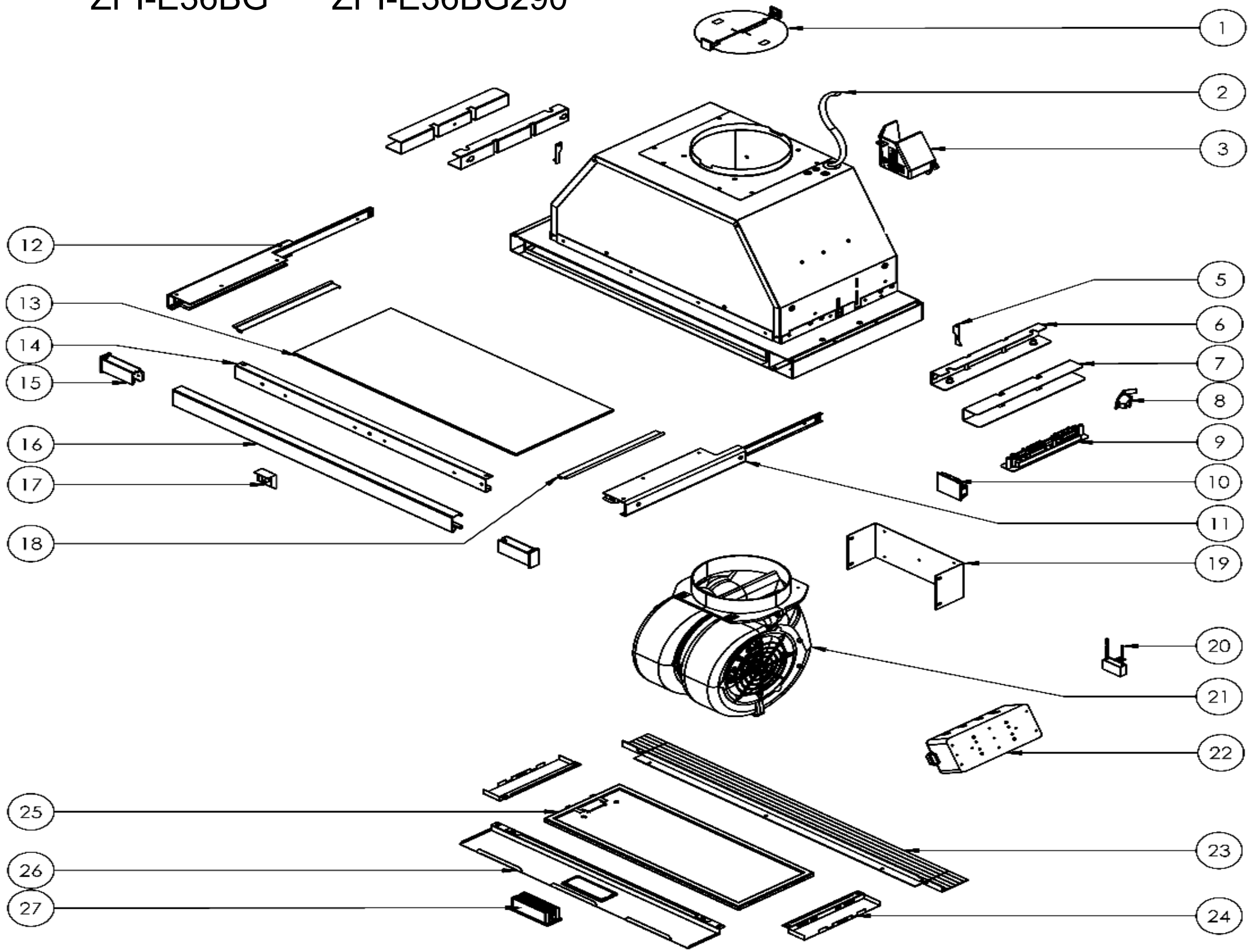


ZPI-E24BG	ZPI-E24BG290
ZPI-E24BW	ZPI-E24BW290
ZPI-E30BG	ZPI-E30BG290
ZPI-E30BW	ZPI-E30BW290
ZPI-E36BG	ZPI-E36BG290



Ref #	Part #	Description	Qty.
1	54060007	6" Round Damper	1
2	11030028	Electrical Wire	1
3	54200012	Electrical Junction Box	1
5	54150007	Spring Clip	2
6	54140083	Mounting Bracket, Upper, 24" Only	2
7	54140171	Mounting Bracket, Lower, 24" Only	2
8	11040028	Micro Switch	1
9	11000088	Switch Assembly	1
10	52170062	Switch Cover	1
11	54110093	Glass Slider, Right	1
12	54110094	Glass Slider, Left	1
13	50300134	Glass Canopy, 24"	1
13	50300114	Glass Canopy, 30"	1
13	50300131	Glass Canopy, 36"	1
14	54140240	Front Bracket, 24"	1
14	54140172	Front Bracket, 30"	1
14	54140200	Front Bracket, 36"	1
15	56140014	Canopy End Cap, Gray	2
15	56140017	Canopy End Cap, White	2
16	50140139	Canopy Face Plate, 24", SS	1
16	50140140	Canopy Face Plate, 24", White	1
16	50140119	Canopy Face Plate, 30", SS	1
16	50140136	Canopy Face Plate, 30", White	1
16	50140129	Canopy Face Plate, 36" SS	1
17	56140020	Switch Front Cover, Gray	1
17	56140021	Switch Front Cover, White	1
18	54190043	Canopy Plate	2
19	54140065	Motor Bracket	1
20	12050026	Capacitor	1
21	12120043	Motor, 500 CFM	1
21	12120093	Motor, 290 CFM	1
22	50500086	Junction Box	1
23	50120155	Rear Spacer Panel, 24"	1

23	50120090	Rear Spacer Panel, 30"	1
23	50120095	Rear Spacer Panel, 36"	1
24	50120096	Side Spacer Panel	2
25	50200054	Aluminum Mesh Filter	1
26	50110332	Light Panel, 24"	1
26	50110333	Light Panel, 30" & 36"	1
27	Z0B0049	LumiLight LED, 6W, (24" x 1)	2
28	05000154	Hardware Packet, 24"	1
28	05000155	Hardware Packet, 30" & 36"	1

FEB21.0101