



We do our best to provide the most accurate dimensions. However, as with all handcrafted products, dimensions are approximate.

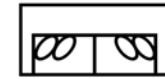
England
FURNITURE CO.

a L A **Z** B O Y company

AVAILABLE PIECES



8L00-04
Chair & 1/2
W-51 D-42



8L05
Sofa
W-88 D-42



8L00-05
RAF Chaise Lounge
W-44 D-70



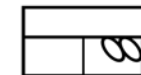
8L00-06
LAF Chaise Lounge
W-44 D-70



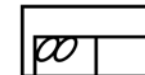
8L00-10
Large Ottoman
W-37 D-26



8L00-22
Corner Wedge
W-42 D-42



8L00-23
RAF Sofa
W-80 D-42



8L00-24
LAF Sofa
W-80 D-42



8L00-39
Armless Chair
W-37 D-42

LYNDON

8L00

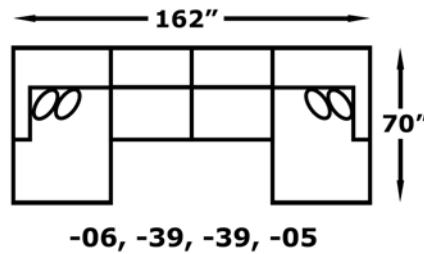
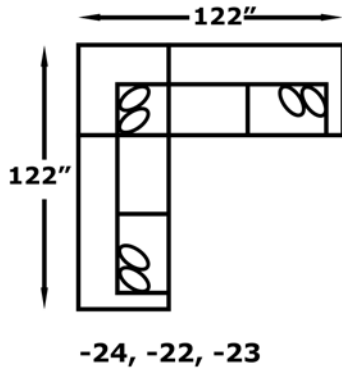
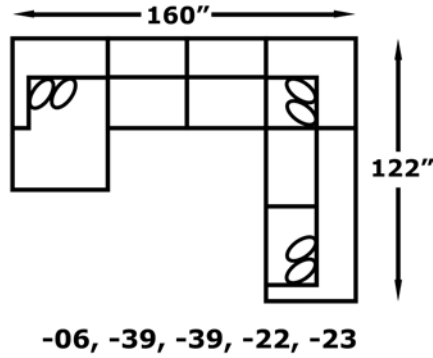
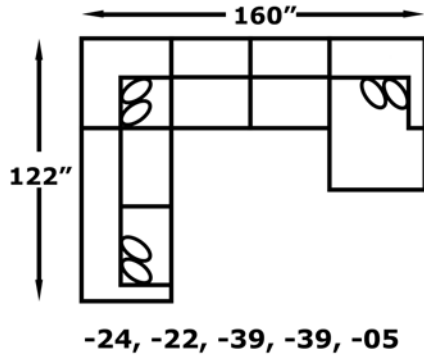
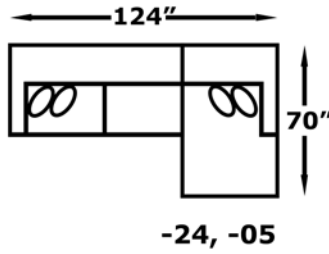
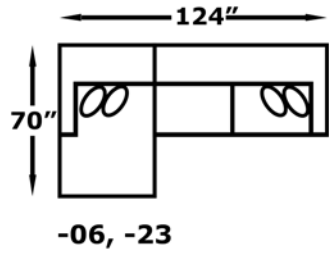
CUSTOM for YOU. **FAST** by US!

Features your favorite sectional pieces.

The Tranquil table group is featured in the above image.

8L00: Available in fabric types: I, II, 12, 14;
Ottoman also type 22

CONFIGURATIONS



ORDER INFO

PIECE #	COVER	COST
1.		
2.		
3.		
4.		
5.		

Please allow me to assist you in choosing from among the many possible combinations of this luxurious group.

Salesperson _____
Phone _____

Worksheet (Scale: 1/4" = 2')
