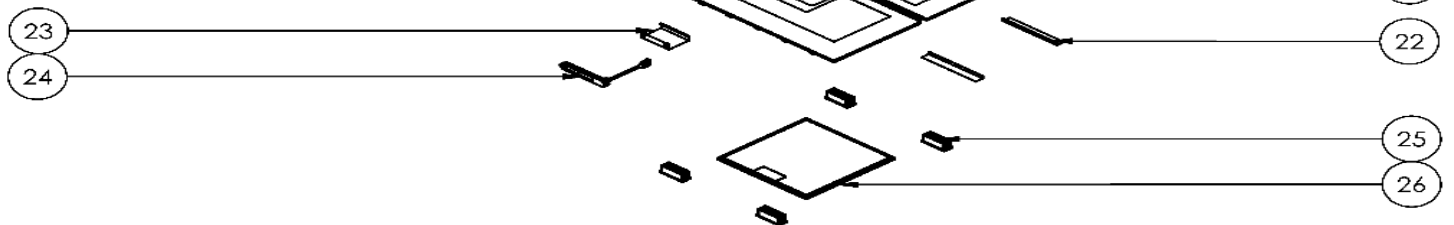
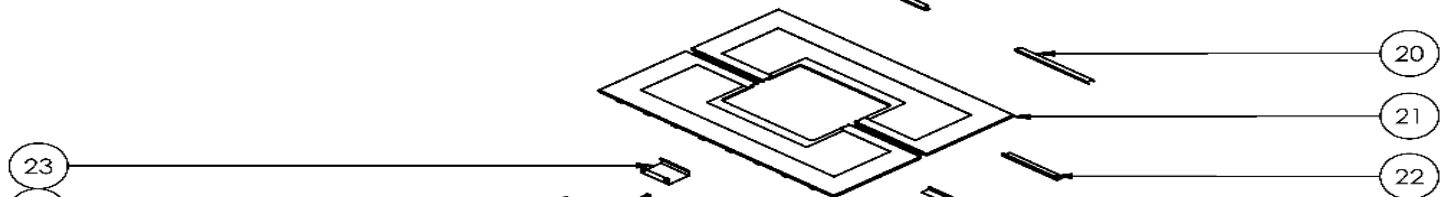
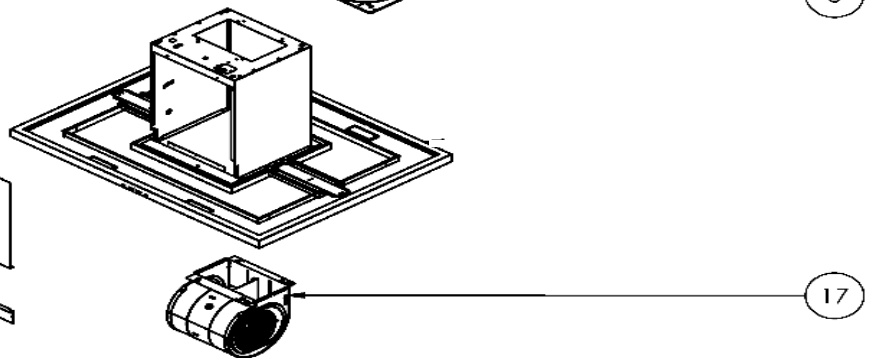
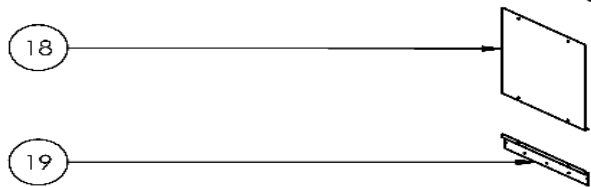
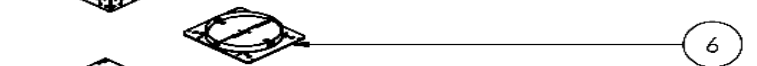
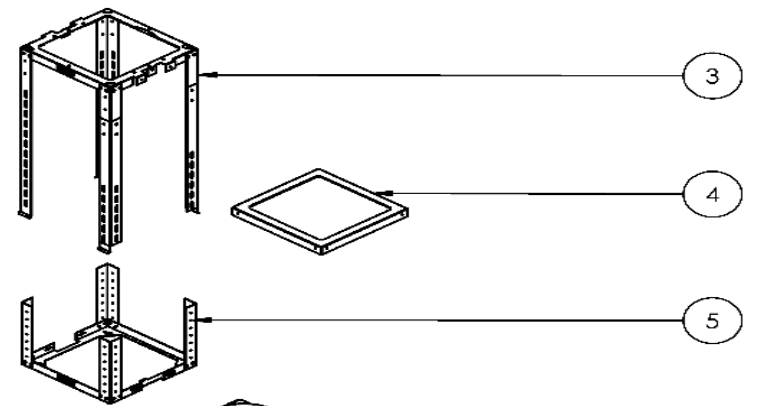
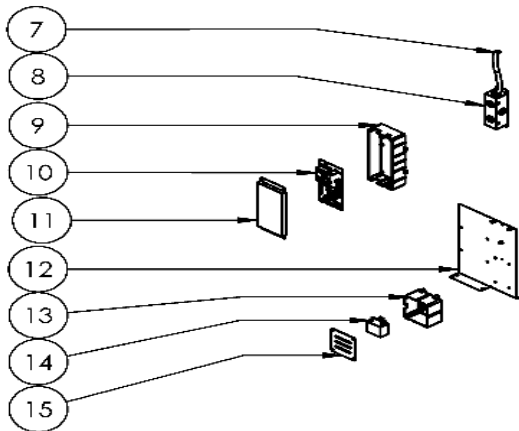
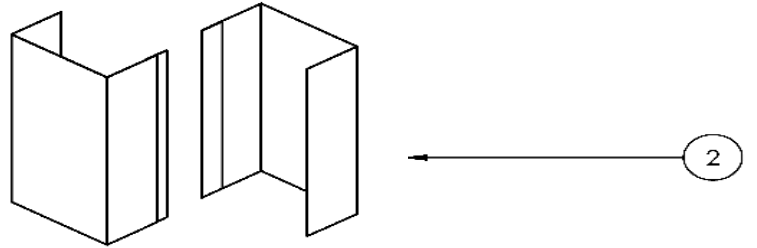
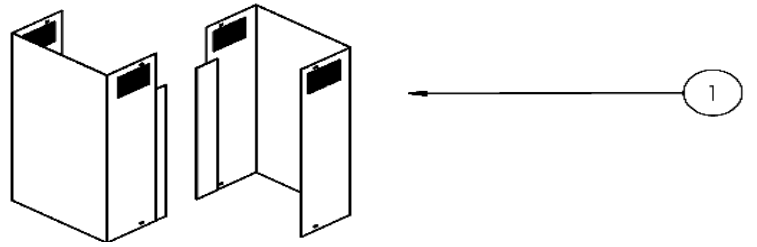


# ZMD-M90BS

## ZMD-E42BS



# ZEPHYR

# Modena Is.

## ZMD-M90BS, ZMD-E42BS

Ref #	Part #	Description	Qty.
1	50050166	Duct Cover, Upper	2
2	50050167	Duct Cover, Lower	2
3	54110075	Support Frame, Upper	1
4	54110078	Support Frame Bracket	1
5	54110076	Support Frame, Lower	1
6	54050080	8" Round Collar w/Damper	1
7	11030139	Electrical Power Cord	1
8	56200080	Electrical Junction Box	1
9	56200051	Component Box	1
10	11010123	Control Board	1
11	56210073	Component Box Cover	1
12	54140159	Electronics Bracket	1
13	56200079	Capacitor Housing	1
14	12050028	Capacitor	1
15	56210066	Capacitor Housing Cover	1
17	12120070	Motor	1
18	54210005	Motor Housing Cover, Upper	1
19	54210006	Motor Housing Cover, Lower	1
20	54140298	Canopy Bracket, ZMD-M90BS	2
20	54140297	Canopy Bracket, ZMD-E42BS	2
21	50300094	Glass Canopy, ZMD-M90BS	2
21	50300095	Glass Canopy, ZMD-E42Bs	2
22	54140105	Canopy Holding Bracket	2
23	54140106	Switch Holding Bracket	1
24	11000127	Switch Assembly	1
25	Z0B0048	LumiLight LED, 6W, DC	4
25-1	11030145	LED Wiring	1
26	50200042	Aluminum Mesh Filter	1
27	05000120	Hardware Packet	1