

# Today's Kitchen RANGE HOOD



29in



38in

## RH005 - custom hood insert

cabinet bottom cut-out size (w x d): rh00529bs: 26 1/16in x 14 3/4in; rh00538bs: 34 11/16in x 14 3/4in

<b>MODEL</b>	RH00529BS / RH00538BS
<b>SIZE</b>	29in / 38in
<b>NET WIDTH</b>	29-13/16in / 38-7/16in
<b>MAX. CFM</b>	1000
<b>MAX. SONES</b>	8

### FEATURES

<b>color</b>	stainless steel
<b>controls</b>	3-speed, mechanical slide
<b>lights</b>	(2) dual-level halogen / (4) dual-level halogen
<b>filters</b>	(2) professional baffle / (3) professional baffle

### DUCT SPECS

<b>top</b>	8in round
<b>back</b>	n/a
<b>recirculating</b>	no

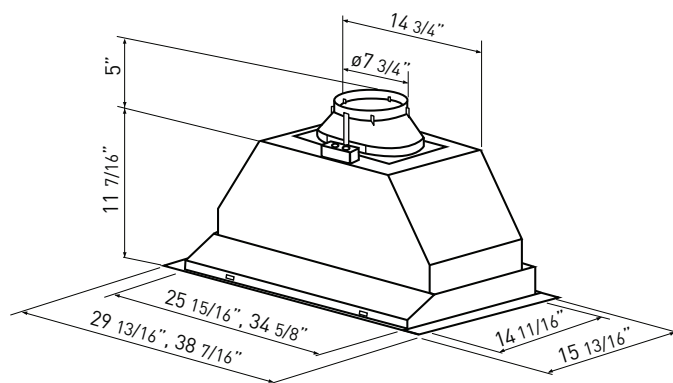
### ACCESSORIES

<b>RH00529S Liner</b>	36" - AK0806AS, 42" - AK0842AS
<b>RH00538S Liner</b>	48" - AK0848AS, 54" - AK0854AS, 60" AK0860AS
	Liners have an adjustable depth of 20-1/8" - 23-1/2"

**AC INPUT** 120v, 60hz

**AC POWER** max. 720w @ 6.1a / max. 790w @ 6.7a

**INSTALL HEIGHT\*** 26in - 36in



\*install height is the distance between top of cooking surface and bottom of hood.

