

## M 7240 TC

### 24" Microwave Oven - PureLine

#### Features:

- DirectSensor S – Clear-text display with sensor controls
- Perfect defrosting and cooking thanks to the automatic programs
- Lots of room- 1.6 cu. ft cavity, 16 in turntable
- Very powerful microwave – 900 W
- Popcorn button – Popcorn at the touch of a button

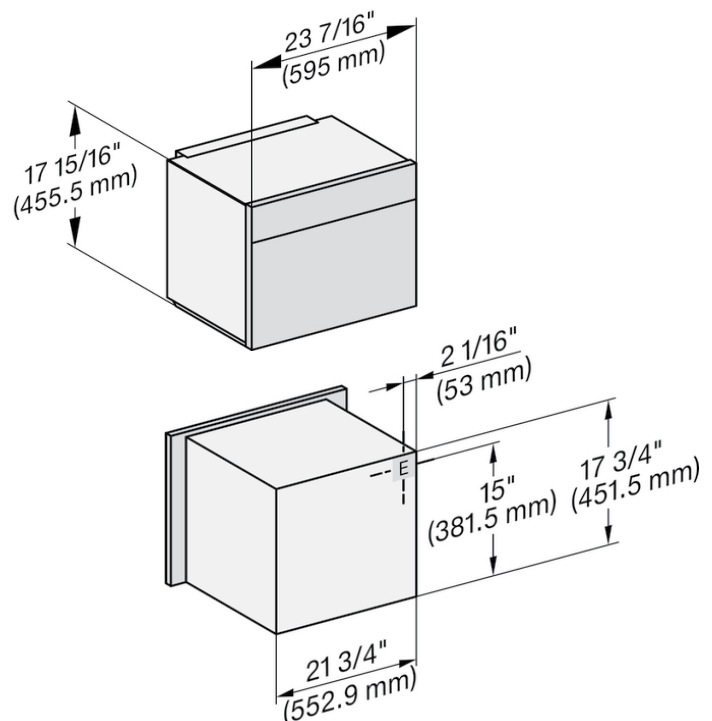


#### MATERIAL #

11845600

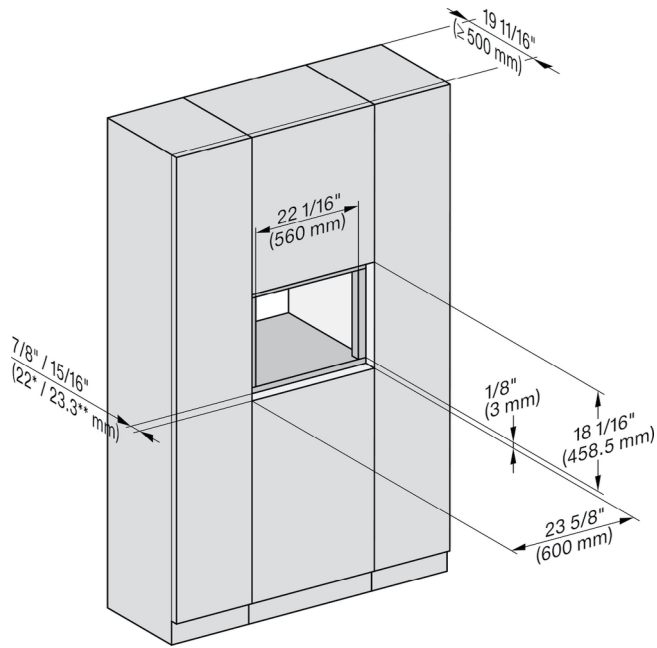
SPECIFICATIONS	
Overall Unit Dimensions	23 <sup>7</sup> / <sub>16</sub> " (595 mm) W x 17 <sup>5</sup> / <sub>16</sub> " (455.5 mm) H x 21 <sup>5</sup> / <sub>8</sub> " (549 mm) D
<b>Niche</b>	
Minimum Cabinet Niche Opening	22 <sup>1</sup> / <sub>8</sub> " (562 mm) W x 17 <sup>11</sup> / <sub>16</sub> " (450 mm) H x 24" (610 mm) D
<b>Electrical</b>	
Electrical Requirements	120V, 60Hz, 15 Amps
Power Cord	NEMA 5-15 plug, 5 ft (1.52 m)
<b>Shipping</b>	
Shipping Weight	70 lbs (31.7kg)
Shipping Dimensions	27" (685 mm) W x 21 <sup>1</sup> / <sub>4</sub> " (540 mm) H x 24" (610 mm) L

#### PRODUCT DIMENSIONS

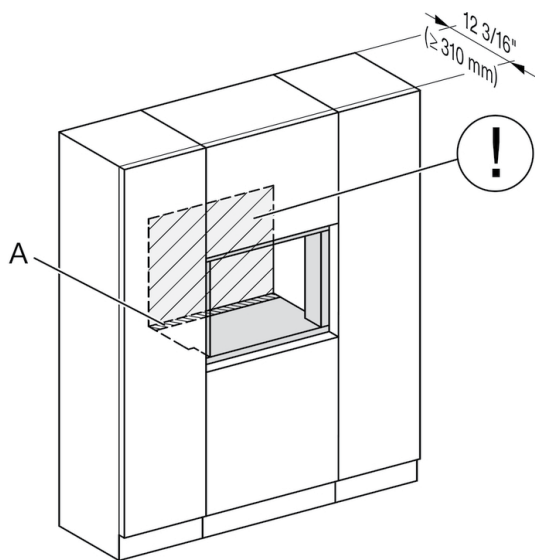
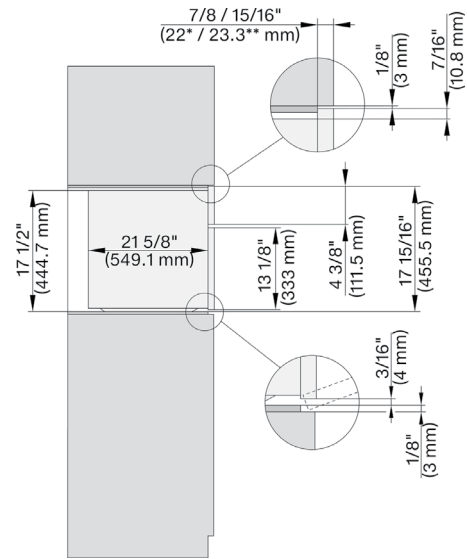


## FLUSH CUTOUT DIMENSIONS

Front View



Side View



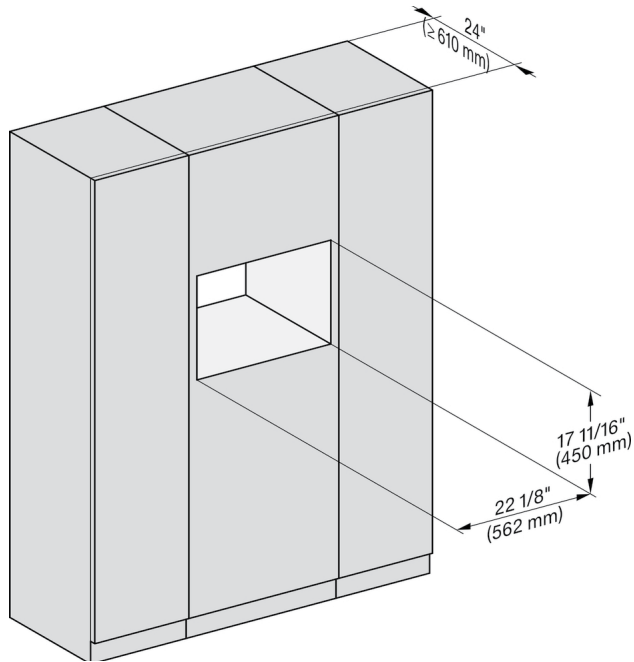
A - Cut-out (4" x 28" [100 mm x 720 mm]) in the bottom of the cabinet for the power cord and Ventilation

! - Electrical and water supplies are recommended to be placed in adjacent cabinetry.

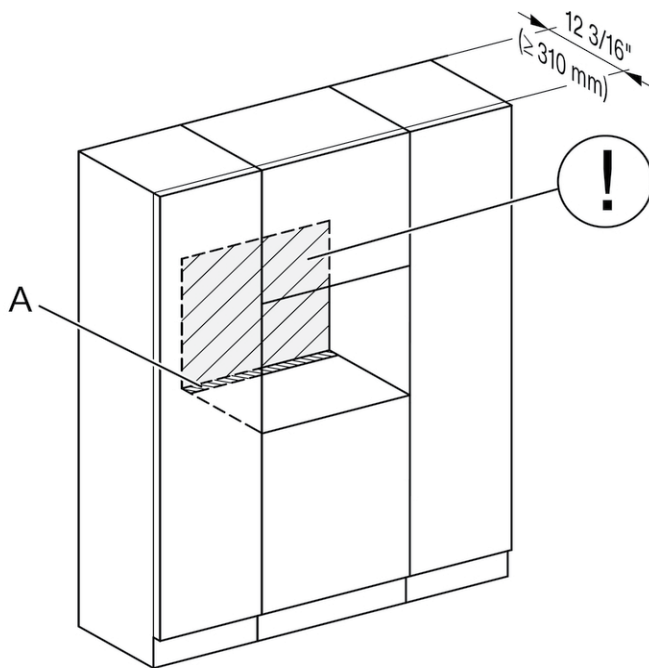
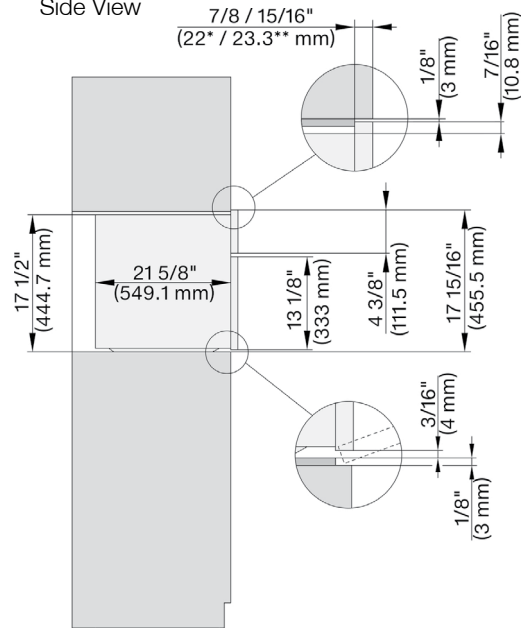
Additional cabinet depth is required when placing the electrical and water supplies behind the appliance.

## PROUD CUTOUT DIMENSIONS

Front View



Side View



A - Cut-out (4" x 28" [100 mm x 720 mm]) in the bottom of the cabinet for the power cord and Ventilation

ⓘ - Electrical and water supplies are recommended to be placed in adjacent cabinetry.

Additional cabinet depth is required when placing the electrical and water supplies behind the appliance.