

# NE63B8611SS

SAMSUNG

## Samsung Front Control Slide-In Induction Range with Air Fry

6.3 cu. ft. Capacity



### Signature Features

#### Fast Focused Heat

- Our Instant Heat induction cooktops get hot faster than gas or electric burners. They generate heat directly through the cookware itself for a quick, concentrated boost in temp.

#### Instant Temperature Control

- Induction burners feature precise heat control, immediately raising or lowering the temperature, for a more responsive and accurate cooking experience.

#### Easy-To-Clean Cooktop

- Our induction cooktop has a smooth glass surface that cools quickly to prevent food from sticking and make for easy clean-up.

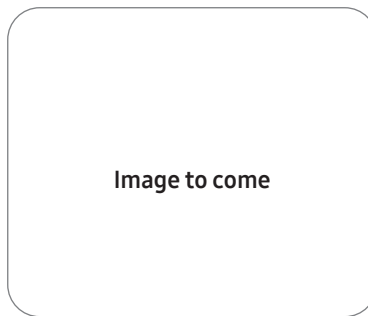
### Available Colors



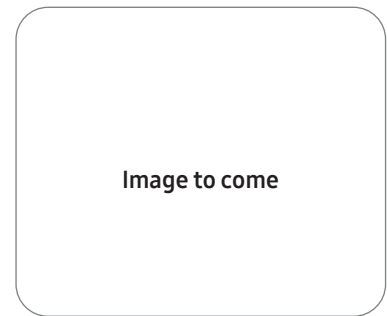
Fingerprint Resistant  
Stainless Steel (shown)



Fingerprint Resistant  
Black Stainless Steel



Fast Focused Heat



Instant Temperature Control

### Features

- Air Fry, Tray Included
- Convection+
- Fingerprint Resistant Finish
- Large Oven Capacity – 6.3 cu. ft.
- Glass Touch Controls
- Ready2Fit™ Guarantee
- Storage Drawer

- Four Burner Cooktop
  - 11" 2400 W, Boost 3800 W
  - 7" 1800 W, Boost 2300 W (2)
  - 6" 1200 W, Boost 2000 W

### Convenience

- Wi-Fi Connectivity
- Voice-Enabled
- Convection Auto Conversion
- Self & Steam Clean
- Hidden Bake Element
- Child Safety Lock
- Delay Start
- Auto Oven Light
- Kitchen Timer
- Sabbath Mode



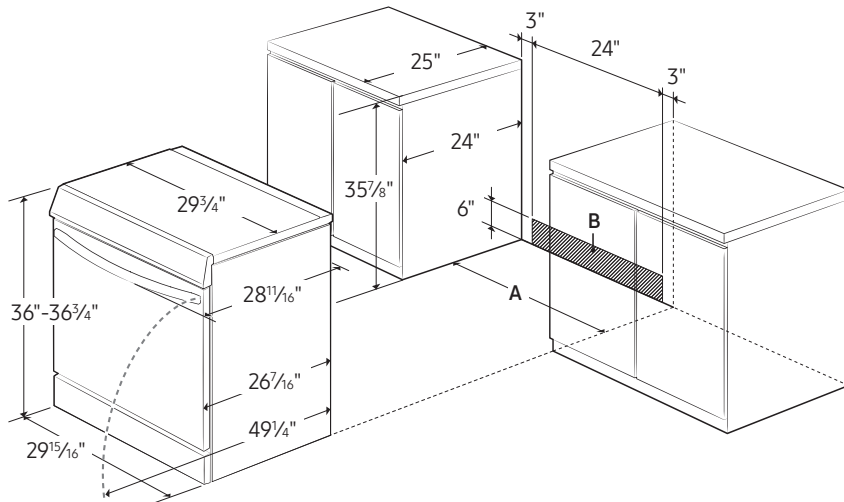
# NE63B8611SS

SAMSUNG

## Samsung Front Control Slide-In Induction Range with Air Fry

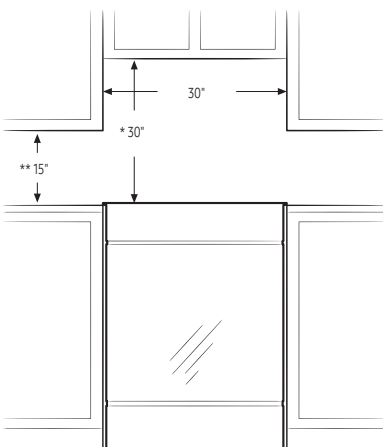
6.3 cu. ft. Capacity

### Installation Specifications



A: Cabinet opening min 30"  
B: Acceptable electrical outlet area

**IMPORTANT:** If your cabinets are over 36<sup>3</sup>/<sub>4</sub>" high, you must install this range on a hard, heat-resistant support that raises the surface of the range so that it is about even with the countertop.



\* 30" minimum clearance between the top of the cooking surface and the bottom of an unprotected wood or metal cabinet; or 24" minimum when the bottom of the wood or metal cabinet is protected by not less than 1/4" of flame retardant millboard covered with not less than no.28 MSG sheet steel, 0.015" stainless steel, 0.024" aluminum, or 0.020" copper.

\*\*15" minimum between the countertop and the adjacent cabinet bottom.

**IMPORTANT:** Consult with Installation Manual for detailed instructions before installing. All ranges must be installed with the Anti-Tip device that is included.

### Power Source

240V/208V/60 Hz/40A

### Electric Ceramic Cooktop

- Right Front: 11", 2400 W, Boost 3800 W
- Left Front: 7", 1800 W, Boost 2300 W
- Right Rear: 6", 1200 W, Boost 2000 W
- Left Rear: 7", 1800 W, Boost 2300 W

### Oven

- Capacity: 6.3 cu. ft.
- Convection Element/Heater
- Convection Bake
- Convection Roast
- Bake
- Air Fry
- Bread Proof
- Dehydrate
- Favorite Cook (App Based)
- Keep Warm

### Warranty

One (1) Year Parts and Labor

### Product Dimensions & Weight (WxHxD)

Oven Interior Dimensions:

24<sup>13</sup>/<sub>16</sub>" x 22<sup>7</sup>/<sub>16</sub>" x 19<sup>3</sup>/<sub>4</sub>"

Outside Net Dimensions:

29<sup>15</sup>/<sub>16</sub>" x 36-36<sup>3</sup>/<sub>4</sub>" (Adjustable) x 28<sup>11</sup>/<sub>16</sub>"

Weight: 174 lbs

### Shipping Dimensions & Weight (WxHxD)

Dimensions:

33<sup>1</sup>/<sub>16</sub>" x 41<sup>3</sup>/<sub>4</sub>" x 30<sup>5</sup>/<sub>16</sub>"

Weight: 194 lbs

### Color

Fingerprint Resistant  
Stainless Steel

### Model #

NE63B8611SS

### UPC Code

887276627687

Fingerprint Resistant  
Black Stainless Steel

NE63B8611SG

887276627670

